



ENGLISH

FRANÇAIS

ESPAÑOL

PORTUGUÊS

Type Cap 100US - LB5010

INSTRUCTIONS FOR INSTALLATION AND USE

Read these instructions carefully before using the machine

MANUEL D'INSTALLATION ET D'UTILISATION

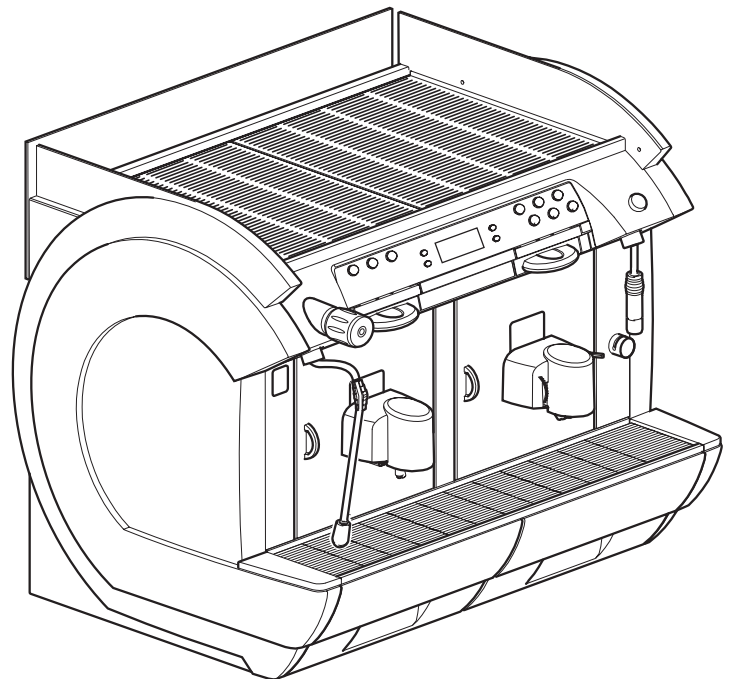
Lire attentivement ces instructions avant d'utiliser la machine

MANUAL DE INSTALACIÓN Y DE USO

Leer atentamente las siguientes instrucciones de uso antes de utilizar la máquina

MANUAL DE INSTALAÇÃO E USO

Ler atentamente estas instruções de uso antes de usar a máquina



ENGLISH.	3 - 29
FRANÇAIS.	30- 56
ESPAÑOL.	57-83
PORTUGUÊS.	84-110

INTRODUCTION

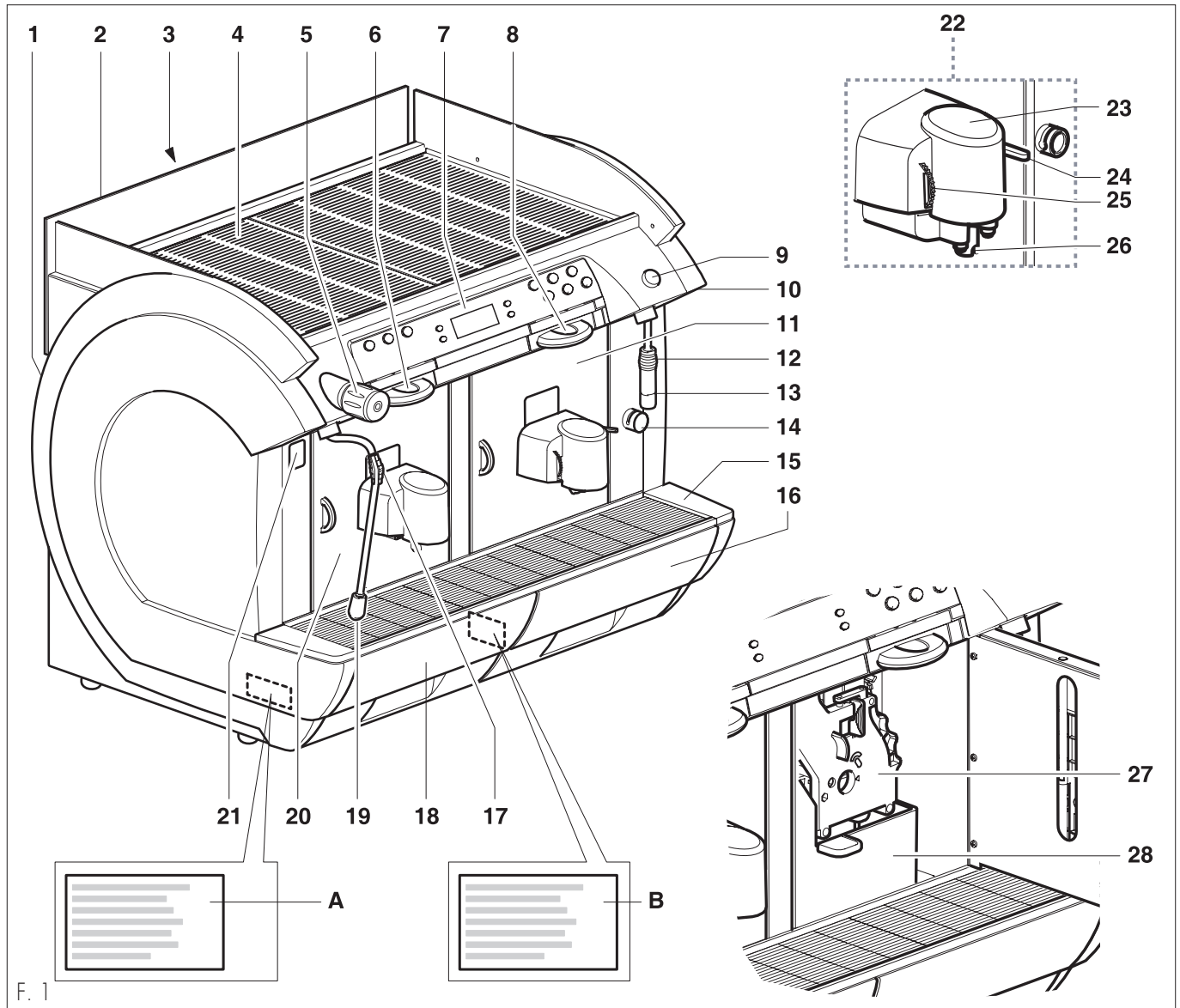
- **This manual** is an integral part of the machine and must be kept in good working order, in a well-known and easily accessible place, throughout its operational life (even in case of changes of ownership). It is intended to convey the information required to use the machine correctly and safely.
- If this manual is lost or worn out, please ask the **Authorized Customer Service Centre** for a copy, specifying the model and year of manufacture.
- **Authorized Customer Service Centres** are also available to provide any technical explanations, operating information, technical assistance or spare part supply.
- **The issues covered** are exclusively aimed at safe use of the machine for people, the machine itself and the environment, through the interpretation of a simple failure diagnosis and anomalous operating conditions, by performing simple test and maintenance operations, fully compliant with the requirements specified in the following pages, and with Health and Safety Regulations in force.
- **Before any operation**, please read this manual very carefully and make sure its contents have been fully understood.
- **If the machine is used** by several people (individually), each person must read the instruction manual carefully.
- **The Manufacturer** reserves the right to make changes and improvements to the specified models without notice.
- **For special requirements** please refer to the Distributor or the local Importer (if any), or the Manufacturer
- **All rights** of this publication are reserved to **LAVAZZA**. Any reproduction or disclosure in full or in part, not duly authorised in writing, is strictly prohibited. INDEX

CONTENTS

1 - MACHINE COMPOSITION	4	12 - USE OF THE MACHINE	9
2 - EXPLANATORY NOTES	5	12.1 Machine status	9
2.1 Abbreviations	5	12.2 Control description	10
2.2 Editing symbols	5	12.3 Menu programmable functions	12
3 - USER	5	12.4 Structure of the programming menu	12
4 - MAINTENANCE TECHNICIAN	5	12.5 Function description	13
5 - INTENDED USE OF THE MACHINE	5	12.6 Structure of the maintenance menu	18
6 - WARNINGS AND CAUTIONS	6	12.7 Display messages	22
7 - GENERAL PRECAUTIONS	6	12.8 Turning off the machine	22
8 - INFORMATION ABOUT THE MACHINE ...	6	13 - SCHEDULED MAINTENANCE	23
8.1 Identification data	6	13.1 Cleaning the machine	23
8.2 Technical features	6	13.1.1 Coffee dispenser (F. 12)	23
8.3 Overall dimensions	6	13.1.2 Drip tray and relative grille	23
8.4 Brew group	7	13.1.3 Capsule drawer	23
8.5 Cappuccinatore Group	7	13.1.4 Steam and hot water spouts	23
9 - SAFETY DEVICES	7	13.1.5 Cup warming plate	23
9.1 Residual risks	7	13.1.6 Brew Group	23
10 - INSTALLATION	8	13.1.7 Capsule discharge hopper	23
10.1 Notes on location	8	13.1.8 Cleaning the cappuccinatore	24
10.2 Machine positioning	8	13.1.9 Regeneration of the purifier	26
10.3 Water connection	8	14 - UNSCHEDULED MAINTENANCE	27
10.4 Electrical connection	9	14.1 Brew group	27
10.5 Serial port connection	9	15 - INSTRUCTIONS FOR END-OF-LIFE	
11 - FIRST START-UP OF THE MACHINE	9	DISPOSAL TREATMENT	28
		16 - TROUBLES, CAUSES AND CURES	29

1 - MACHINE COMPOSITION

NOTE - If not expressly indicated in the text, the position numbers of machine parts refer to the following figure.



F. 1

- | | | | |
|-----------|------------------------------------|-----------|--|
| A | Data plate | 15 | Drip tray |
| B | System information plate | 16 | Capsule drawer |
| 1 | Left hand side panel | 17 | Rubber protector |
| 2 | Glass | 18 | Capsule drawer |
| 3 | Rear panel | 19 | Steam spout |
| 4 | Cup warming plate | 20 | Door |
| 5 | Steam knob | 21 | Main switch |
| | Clockwise: steam jet open | | "I" - Enabled electric functions – Machine on – LED illuminated. |
| | Counterclockwise: steam jet closed | | "O" - Disabled electric functions – Machine off – Button "I" LED turned off. |
| 6 | Capsule drawer | 22 | Coffee brew group |
| 7 | Control panel | 23 | Brew group cover |
| 8 | Capsule insertion drawer | 24 | Milk foam control |
| 9 | Hot water button | 25 | Temperature adjusting knob |
| 10 | Right hand side panel | 26 | Milk dispenser |
| 11 | Door | 27 | Brew group |
| 12 | Rubber protector | 28 | Capsule discharge hopper |
| 13 | Hot water spout | | |
| 14 | Spout clamp | | |

2 - EXPLANATORY NOTES

2.1 Abbreviations

- F. = Figure
- P. = Page
- Sect. = Section
- T. = Table

2.2 Editing symbols

WARNING!

Please pay close attention to the symbols: they are not designed so that technical concepts or safety warnings do not have to be repeated. They should thus be considered as memory prompts. Please read the list of symbols whenever in doubt about their meaning.

	WARNING! - Information regarding user safety and machine integrity.
	IMPORTANT! - Draws attention to particularly important issues.
	Maintenance technician – Operations to be performed exclusively by personnel in charge of unscheduled maintenance and repairs.
	Machine off – Operations to be performed with power supply cut off.
	User – Operations to be performed by the user of the machine.

3 - USER

Adult person who is exclusively in charge of the following operations:

- Use, control and turning off of the machine.
- Brewing parameters setting.
- Emptying the ground and liquid trays.
- External cleaning of the machine.



WARNING

Children, teenagers and people unable to care for themselves are **prohibited** from using this machine .

4 - MAINTENANCE TECHNICIAN

Person in charge of the following operations:

- Installation, start-up, adjustment and setting up of the machine.
- Unscheduled maintenance, repairs and replacement of spare parts.

5 - INTENDED USE OF THE MACHINE

The machines in this manual have been designed, manufactured and protected for automatic dispensing (programmable) of the following beverages:

- coffee based capsules;
- milk and coffee based capsules.
- hot water and water steam for the preparation and heating of beverages.
- hot milk.



IMPORTANT

Any other use of the machines is not foreseen by the Manufacturer who is exempted from any liability for any damage caused by their improper use. The improper use also causes any type of warranty to expire.

6 - WARNINGS AND CAUTIONS

Do not use detergents, thinners, solvents etc. for **scheduled maintenance**.

Cleaning is limited to non-live parts and must be performed by using neutral or biodegradable products, or with the power cable unplugged.

Scheduled maintenance must be performed by qualified personnel or at least by suitably informed and trained personnel, with the necessary mental and physical requirements, and in full compliance with the instructions indicated below and with the Safety and Health Regulations in force.

It is **strictly forbidden** to place and/or leave tools or anything else on the machine which may be detrimental to people's safety or the integrity of the machine.

Changes and tampering (even slight), as well as the use of non original spare parts, exempt the Manufacturer from any liability for damages of any kind and cause the warranty to expire.

Use drinking water only.

N.B.: Do not use hot water.

It is essential to supply the machine with water treated by a descaling device, which guarantees the compliance with the abovementioned limitations. Make sure the water network provides drinking water, with pressure ranging between 1 and 8 Bars.

7 - GENERAL PRECAUTIONS

- **Before using** the appliance, always make sure that the contents of this manual have been thoroughly understood beforehand. Failure to comply with the instructions in this manual exempts the Manufacturer from any liability for damages of any kind caused to persons and/or property.
- **Keep** this edition for future reference.
- If installing for the first time, **check beforehand** for compliance with the minimal safety regulations, placing and operability of the machine, by taking note of environmental conditions (temperature, humidity, light) and the suitability of the working space.
- **Any damage** to the power cable requires Authorized Technical Assistance or a maintenance technician.
- **Do not use** the machine outdoors.
- **In the event of failure**, always ask the maintenance technician for assistance.
- Do not use water jets to clean the machine.

8 - INFORMATION ABOUT THE MACHINE

8.1 Identification data

Plate (A) displays the following machine identification data:

- Manufacturer and marking
- model
- Serial no.
- year of manufacture
- supply voltage (V) and frequency (Hz)
- power consumption (W)
- number of phases of the electrical power line
- permitted pressure in the water network (MPa)



IMPORTANT

When contacting the Authorized Customer Service Centres, please indicate model and serial number of the machine.

8.2 Technical features

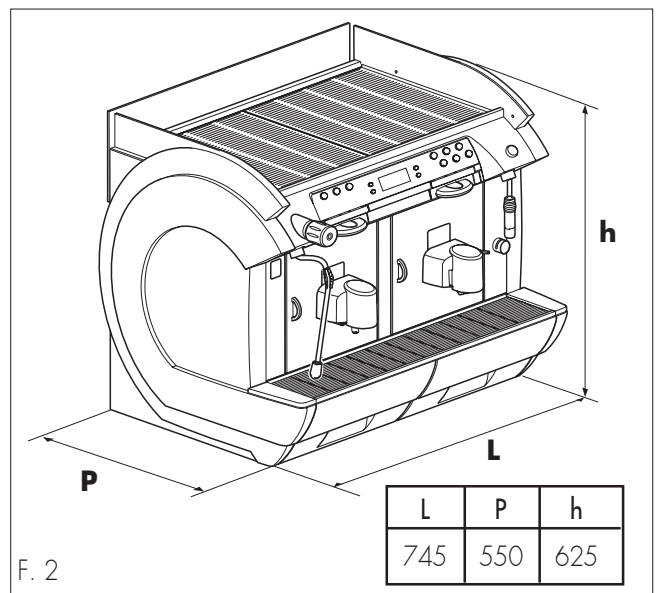
Power supply voltage	240V 60Hz
Power cable length	mm 1.700
Installed power	5500 W
Water pressure	MPa 0.1 ÷ 0.8 (1 ÷ 8 bar)
Weight	kg 66



IMPORTANT

The machines are programmable for any type of dispensing dosage. Most of the electrical components are supplied with 24 Vdc.

8.3 Overall dimensions

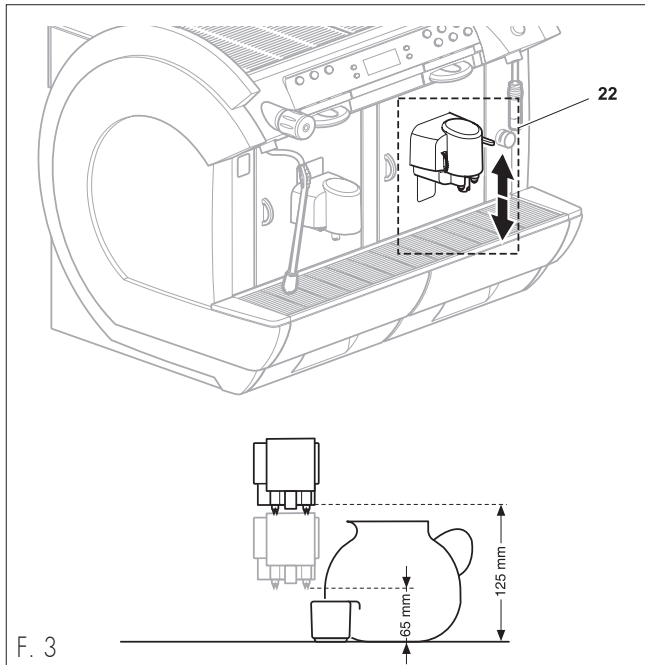


8.4 Brew group

The position of this group (22) can be changed according to the height of the container used.

It is possible to position the brew group at the top or at the bottom.

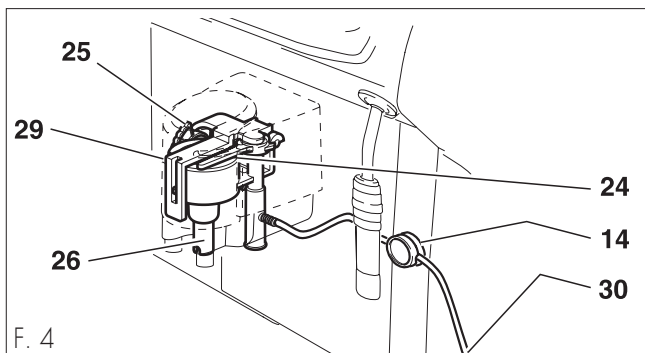
Different brewing heights can therefore be obtained.



8.5 Cappuccinatore Group

The cappuccinatore group is composed of:

- milk suction pipe (30);
- spout clamp (14);
- cappuccinatore (29);
- cream quality control (24);
- temperature setting lever (25);
- Milk dispenser (26).



The milk used for the CAPPUCCINATORE must be kept in a fridge at a temperature no higher than 4° C; do not leave it outside the fridge for more than 30 minutes.

9 - SAFETY DEVICES



IMPORTANT

The machines in this manual are manufactured in compliance with the relevant Directives in force and are therefore protected as to all parts which may be potentially dangerous.

Any overpressure of the water system which controls the production of steam and hot water is detected by 3 safety valves.

A thermostat prevents the boilers from overheating.

The position of the capsule drawer (16 and 18) and of the door (11 and 20), is controlled by 2 microswitches which stop the machine if one of the components is not properly in place; (the display will show the component out of place).

An electronic pulse counter saves the number of beverages produced and enables planning of the scheduled maintenance.

The steam (19) and hot water (13) spouts are equipped with suitable rubber protectors (12 and 17) so they can be held and directed even if hot.

9.1 Residual risks

The manufacturing characteristics of the machines in this publication do not protect the user from steam or hot water jets.

Danger of burns – When dispensing hot water or steam, do not direct the jets towards other people or yourselves. Only hold the pipe on the appropriate anti-burning protections (12 and 17).



IMPORTANT

Do not use containers not made of "food-safe" materials.

10 - INSTALLATION



10.1 Notes on location

The machine must be installed in a dry and sheltered area, with:

- ambient temperature: +10°C + 25°C
- maximum humidity: 65%.

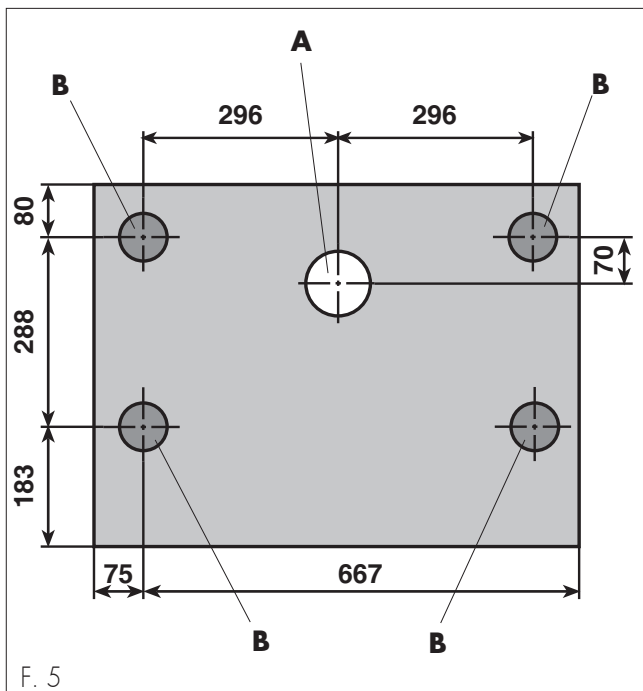
10.2 Machine positioning



IMPORTANT

Check that the installation surface is large and solid enough to support the machine safely.

Make a Ø 100 mm hole (A - F. 5) on the supporting surface. Place the machine in a steady position on the supporting surface (the circles B - F. 5 indicate the optimal position of the adjustable feet). Level the machine using the adjustable feet (F - F. 7).



F. 5



WARNING / IMPORTANT

For a correct and ergonomic use of the machine, it is recommended to install it onto a surface which is at least 1 m high.

10.3 Water connection



WARNING

Water and waste connections shall comply with applicable federal states, or local codes.



WARNING

Water hardness should never be above 8°F.

It is essential to supply the machine with water treated by a descaling device, which guarantees compliance with the abovementioned limitations. Make sure the water network provides drinking water, with pressure ranging between 1 and 8 Bars.

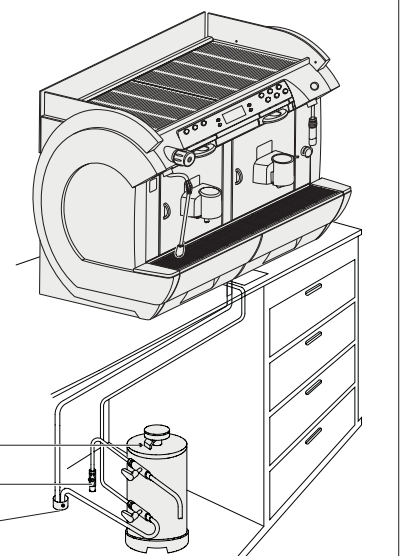
- Connect the purifier (C) to the water network (D).



IMPORTANT

Before connecting the purifier to the machine, perform a washing cycle until the water is clear; then proceed with the connection of the purifier to the machine.

- C - PURIFIER
- D - WATER NETWORK
- E - DRAIN CHANNEL

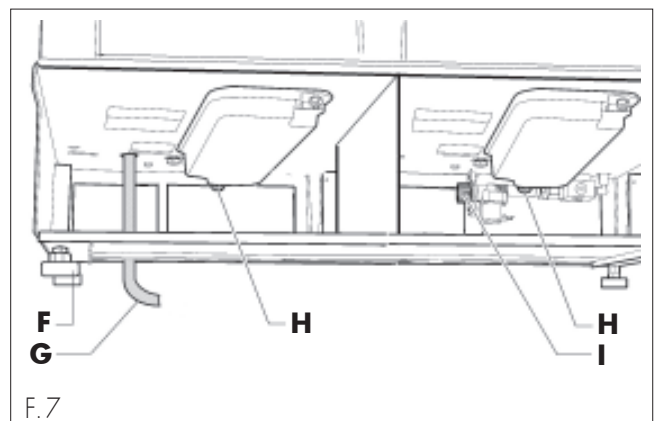


F. 6

Connect a drain hose to the coupling (H - F. 7) and fasten it using the hose clamp.

Using only using a hose and couplings made of "food-safe" materials, connect the machine to the drinking water network, by means of the coupling (I - F. 7).

Insert the outlet and filling pipes into the hole A.



F. 7

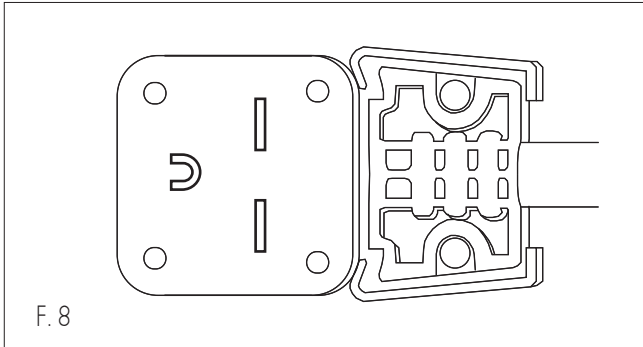
10.4 Electrical connection



IMPORTANT

The machine must be connected to a system-mono phase 240V 60Hz.

Insert the power cable (**G** - F.7) into hole **A** (F. 5).



According to the laws in force in the country of use of the machine, the power cable must be equipped with an all-polar switch (with minimum distance of **3 mm** between contacts).

- The all-polar switch must be suitable to the machine supply voltage and able to monitor all voltage polarities.
- Check that the size of the cables is suitable for the machine's absorption.

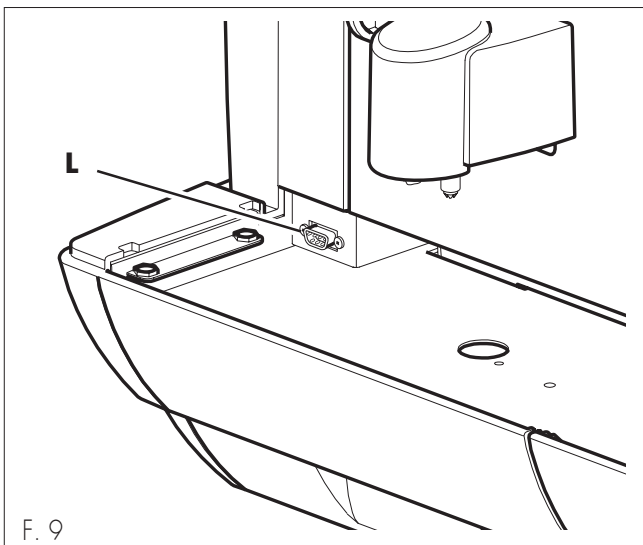


The connection point (socket or all-polar switch) must be located in an easily accessible place for the user to be able to disconnect the machine from the power supply line, if necessary.

Connect the cable (**G** - F. 7) to the power supply line.

10.5 Serial port connection

By means of the serial port RS 232 the machine may be connected to a Personal Computer or devices supplied to the AUTHORIZED CUSTOMER SERVICE CENTRES for programming operations (**L** - F. 9).



11 - FIRST START-UP OF THE MACHINE



Check that the removable parts (**15**, **16** and **18**) are present and that the doors (**11** and **20**) are closed.

Otherwise, the message indicating the part out of place will appear on the display when the machine is turned on.

- Turn on the machine by means of the relevant switch (**21**);
- Open the capsule insertion box (**6** and **8**).
- Insert the capsule in the relevant seat as shown in figure F. 11
- Place the dispenser (**22**) so that a suitable height can be obtained for the containers used (Pr. 8.4).
- Place a container below the dispenser.
- Press the button corresponding to the type of beverage chosen.



IMPORTANT

Even though all the buttons have been already programmed to standard values, it is necessary to check that the quantity of the beverage dispensed corresponds to the one chosen. Otherwise the dispensing buttons must be programmed (Pr. 12.6)

12 - USE OF THE MACHINE



WARNING

It is important to have read this manual carefully before use, to ensure sufficient knowledge of the machine.



IMPORTANT

After a long period of disuse, the previous section "First start-up of the machine" must be read before the machine is used.

12.1 Machine status

Depending on the power supply, the machine may be in the following conditions:

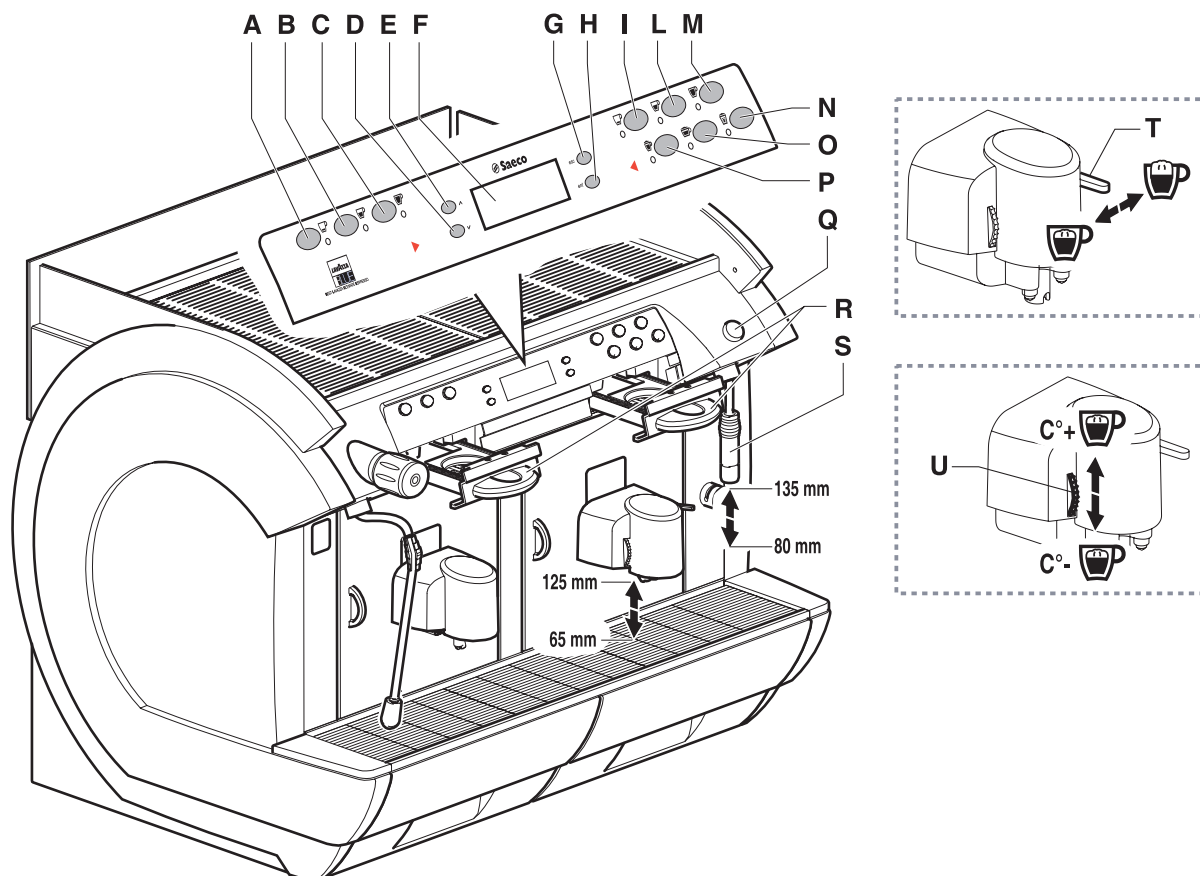
Off and electrically insulated

- Main switch (**21**) set in "0" position (or machine unplugged).
- Only the settings memory is active.

On

- Main switch (**21**) (or machine plugged).
- All functions are active and the display is on.

12.2 Control description










F. 10

- A** "Strong coffee" key
- B** "Medium coffee" key
- C** "Long coffee" key
- D** "Down" key
- E** "Up" key
- F** Display

- G** "Esc" key
- H** "Ent" key
- I** "Strong coffee" key
- L** "Medium coffee" key
- M** "Long coffee" key
- N** "Hot milk" key

- O** "Cappuccino" key
- P** "Espresso macchiato" key
- Q** "Hot water" key
- R** Capsule insertion drawer
- S** Hot water spout
- T** Milk foam control
- U** Milk temperature adjusting knob



COFFEE	
strong  A, I medium  B, L long  C, M	<ul style="list-style-type: none"> Definitions: "Strong coffee" – "Medium coffee" – "Long coffee", indicate three different dispensing levels. On delivery the machines are set to default values. (**)
ESPRESSO MACCHIATO	
 P	<ul style="list-style-type: none"> Beverage composed of coffee with a dash of milk. (*), (**), (***)
CAPPUCCINO	
 O	<ul style="list-style-type: none"> Beverage composed of coffee and hot milk. (*), (**), (***)
HOT MILK	
 N	<ul style="list-style-type: none"> Beverage composed of milk only. (*), (***)
HOT WATER	
 Q	<ul style="list-style-type: none"> Dispensing obtained using water

(*)
Milk foam adjustment

The quality of cream in the beverages depends on the use of the adjustment lever **(T)**.

- By turning the lever to the right, a greater quantity of cream can be obtained.
- By turning the lever to the left, there will be a smaller quantity of cream.

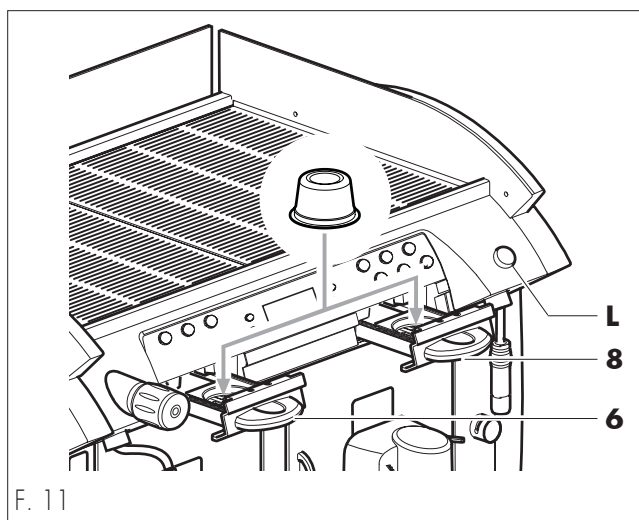
Milk temperature setting

The milk temperature is adjusted through the lever **(U)**.

- By turning the lever upward, the temperature will increase.
- By turning the lever downward, the temperature will decrease.

()**
Inserting the capsules

- Open the capsule box **(6 and 8)**.
- Insert the capsule in the relevant seat as shown in figure F. 11



(*)**

NB.: Keys ,  and  can be preset for brewing beverages with any possible combination of milk and coffee. Please refer to an authorized customer service centre to change the default settings.

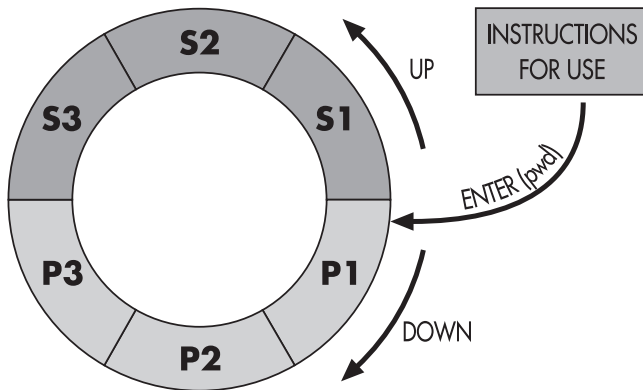
12.3 Menu programmable functions



IMPORTANT

The machine allows some adjustments and settings through the menu settings, which adapt the dispensed product to the User requirements

To easily access the programming menu, please see the figure below:



ent	(Enter)	to access the programming menu (the following will appear on the display: "PASSWORD"); to move from one menu level to the next; prepare data to be changed; confirm data or a function;
esc	(Escape)	to cancel the changes not confirmed; to go back up to the previous menu level until the menu is exited.
▼	(Down)	to move to the next item within the same programming level; to increase the value of data to be changed.
▲	(Up)	to move to the previous item within the same programming level; to reduce the value of data to be changed.

Some functions require the setting of one or more parameters (already set to standard values).

To operate on data values to be re-set, the following is necessary:

- Select function.
- Confirm function using the "ENT" (Enter) key.
- The flashing cursor appears under the value to be changed.
- Use the "▲" (Up) or "▼" (Down) keys to change its value.
- Confirm changed data using the "ENT" (Enter) key.

12.4 Structure of the programming menu



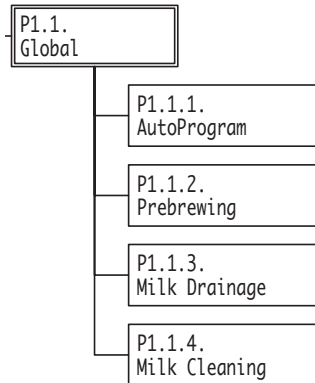
IMPORTANT

During programming, the menu items marked with an * can be viewed (and therefore programmable) only with the "Technician Password".

p1. Products	
p1.1. Global.....	40
p1.1.1. AutoProgram	40
p1.1.2. Prebrewing	40
p1.1.3. Milk Drainage	40
p1.1.4. Milk Cleaning	40
p1.2. Details	41
p1.2.1. Left products	41
p1.2.2. Right products	42-43
p1.2.3. HotWater	43
p2. System	
p2.1. Temperature	43
p2.1.1. Delta Temperature	43
p2.1.2. Coffee Heater*	
p2.2. Security	44
p2.2.1. Operator Password	44
p2.2.2. Technical Password*	
p2.3. Options	44
p2.3.1. Cup Heater	44
p2.3.2. Antifreezing*	
p2.3.3. Unit Visible*	
p2.3.4. Buzzer*	
p2.4. Date/Time	44
p2.4.1. Date	44
p2.4.2. Date Format	44
p2.4.3. Time	44
p2.4.4. Time format	44
p3 Factory Default	44
s1. Maintenance	
s1.1. Water filter	45
s1.1.1. New filter date	45
s1.1.2. Liters to Renew	45
s1.1.3. Filter limit	45
s1.1.4. Reset filter	45
s1.1.5. Filter enable	45
s1.2. Drillers	45
s1.2.1. Warning enabled	45
s1.2.2. Left drillers states	45
s1.2.3. Right drillers states	45
s1.3. Test mode*	
s1.3.1. Master test*	
s1.3.2. Left Coffee test*	
s1.3.3. Right Coffee test*	
s1.3.4. Water/Steam test*	
s2. System Info	
s2.1. Identification	47
s2.1.1. Software Version	47
s2.1.2. Machine Code	47
s2.2. Error Log	47
s2.2.1. Errors	47
s2.2.2. Reset log*	
s2.3. Audit	48
s2.3.1. Counters from init	48
s2.3.2. Counters from reset	48
s2.3.3. Reset Audit	48
s3. Install/Uninstall	
s3.1. Install*	
s3.1.1. Language*	
s3.1.2. Machine Code*	
s3.1.3. Display Contrast*	
s3.2. Uninstall*	
s3.2.1. Empty Boiler*	

12.5 Function description

- p1. Products
 - p1.1. Global
 - p1.1.1. AutoProgram**
 - p1.1.2. Prebrewing**
 - p1.1.3. Milk Drainage**
 - p1.1.4. Milk Cleaning**
 - p1.2. Details
 - p1.2.1. Left products
 - p1.2.2. Right products
 - p1.2.3. HoWWater
 - p2. System
 - p2.1. Temperature
 - p2.1.1. Delta Temperature
 - p2.1.2. Coffee Heater
 - p2.2. Security
 - p2.2.1. Operator Password
 - p2.2.2. Technical Password
 - p2.3. Options
 - p2.3.1. Cup Heater
 - p2.3.2. Antifreezing
 - p2.3.3. Unit Visible
 - p2.3.4. Buzzer
 - p2.4. Date/Time
 - p2.4.1. Date
 - p2.4.2. Date Format
 - p2.4.3. Time
 - p2.4.4. Time format
 - p3. Factory Default
 - s1. Maintenance
 - s1.1. Water filter
 - s1.1.1. New filter date
 - s1.1.2. Liters to Renew
 - s1.1.3. Filter limit
 - s1.1.4. Reset filter
 - s1.1.5. Filter enable
 - s1.2. Drillers
 - s1.2.1. Warning enabled
 - s1.2.2. Left driller state
 - s1.2.3. Right driller state
 - s1.3. Test mode
 - s1.3.1. Master test
 - s1.3.2. Left Coffee test
 - s1.3.3. Right Coffee test
 - s1.3.4. Water/Steam test
 - s2. System Info
 - s2.1. Identification
 - s2.1.1. Software Version
 - s2.1.2. Machine Code
 - s2.2. Error Log
 - s2.2.1. Errors
 - s2.2.2. Reset log
 - s2.3. Audit
 - s2.3.1. Counters from init
 - s2.3.2. Counters from reset
 - s2.3.3. Reset Audit
 - s3. Install/Uninstall
 - s3.1. Install
 - s3.1.1. Language
 - s3.1.2. Machine Code
 - s3.1.3. Display Contrast
 - s3.2. Uninstall
 - s3.2.1. Empty Boiler



P1.1 GLOBAL

P1.1.1 Auto-programming

This functions enables to set the beverage dose. To set the dose, press the "ENT" key and access the menu item "P.1.1.1.1 AUTOPROG. RUNNING":

- to program the keys ☕, ☕ and ☕, press the selected key to start the programming, press the key again to save the desired dose.
- to program the keys ☕, ☕ and ☕, press the selected key to start the programming of the product, press the key again to save the desired dose of coffee and press the key again to save the desired dose of milk.

The saved values will be shown on the display at the end of the programming.

P1.1.2 Prebrewing

This function enables to stop the first brewing phase for a while. This may improve the quality of coffee which can "brew" with the first part of water, during the stop.

The length of the stop can be set with increasing values: 0, +, ++,+++.

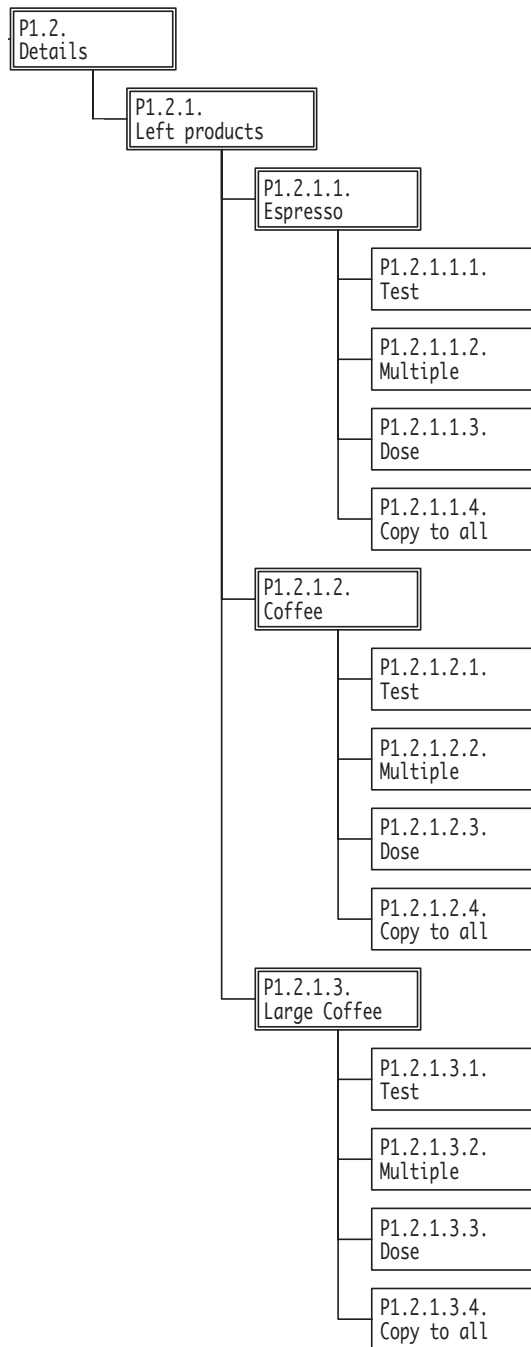
P1.1.3 Milk drainage

This function indicates the opening time of the solenoid valve draining the condensate in the pipe which supplies the steam to the cappuccinatore. It can be adjusted from 0 to 8 seconds.

P1.1.4 Milk cleaning

This function indicates the length of steam washing which is performed at the end of any milk dispensing. It can be adjusted from 0 to 8 seconds.

- p1. Products
 - p1.1. Global
 - p1.1.1. AutoProgram
 - p1.1.2. Prebrewing
 - p1.1.3. Milk Drainage
 - p1.1.4. Milk Cleaning
 - p1.2. Details
 - p1.2.1. Left products**
 - p1.2.2. Right products
 - p1.2.3. HotWater
- p2. System
 - p2.1. Temperature
 - p2.1.1. Delta Temperature
 - p2.1.2. Coffee Heater
 - p2.2. Security
 - p2.2.1. Operator Password
 - p2.2.2. Technical Password
 - p2.3. Options
 - p2.3.1. Cup Heater
 - p2.3.2. Antifreezing
 - p2.3.3. Unit Visible
 - p2.3.4. Buzzer
 - p2.4. Date/Time
 - p2.4.1. Date
 - p2.4.2. Date Format
 - p2.4.3. Time
 - p2.4.4. Time format
- p3. Factory Default
 - s1. Maintenance
 - s1.1. Water filter
 - s1.1.1. New filter date
 - s1.1.2. Liters to Renew
 - s1.1.3. Filter limit
 - s1.1.4. Reset filter
 - s1.1.5. Filter enable
 - s1.2. Drillers
 - s1.2.1. Warning enabled
 - s1.2.2. Left driller state
 - s1.2.3. Right driller state
 - s1.3. Test mode
 - s1.3.1. Master test
 - s1.3.2. Left Coffee test
 - s1.3.3. Right Coffee test
 - s1.3.4. Water/Steam test
 - s2. System Info
 - s2.1. Identification
 - s2.1.1. Software Version
 - s2.1.2. Machine Code
 - s2.2. Error Log
 - s2.2.1. Errors
 - s2.2.2. Reset log
 - s2.3. Audit
 - s2.3.1. Counters from init
 - s2.3.2. Counters from reset
 - s2.3.3. Reset Audit
 - s3. Install/Uninstall
 - s3.1. Install
 - s3.1.1. Language
 - s3.1.2. Machine Code
 - s3.1.3. Display Contrast
 - s3.2. Uninstall
 - s3.2.1. Empty Boiler



P1.2 DETAILS

P1.2.1 Left products

Enables setting of the parameters of the beverages on the left part of the machine:

P1.2.1.1. Espresso

The full product is displayed and by pressing Enter the following parameters may be selected/set:

Test: enables dispensing of the product.

Multiple: allows enabling or disabling of the double dose.

Dose: enables setting of the quantity of water for the beverage.

Copy to all: enables automatic setting of the ESPRESSO of the right part of the machine as well as the one on the left part.

P1.2.1.2. Coffee

The full product is displayed and by pressing Enter the following parameters may be selected/set:

Test: enables dispensing of the product.

Multiple: allows enabling or disabling of the double dose.

Dose: enables setting of the quantity of water for the beverage.

Copy to all: enables automatic setting of COFFEE on the right part of the machine as well as on the left part.

P1.2.1.3. LargeCoffee

The full product is displayed and by pressing Enter the following parameters may be selected/set:

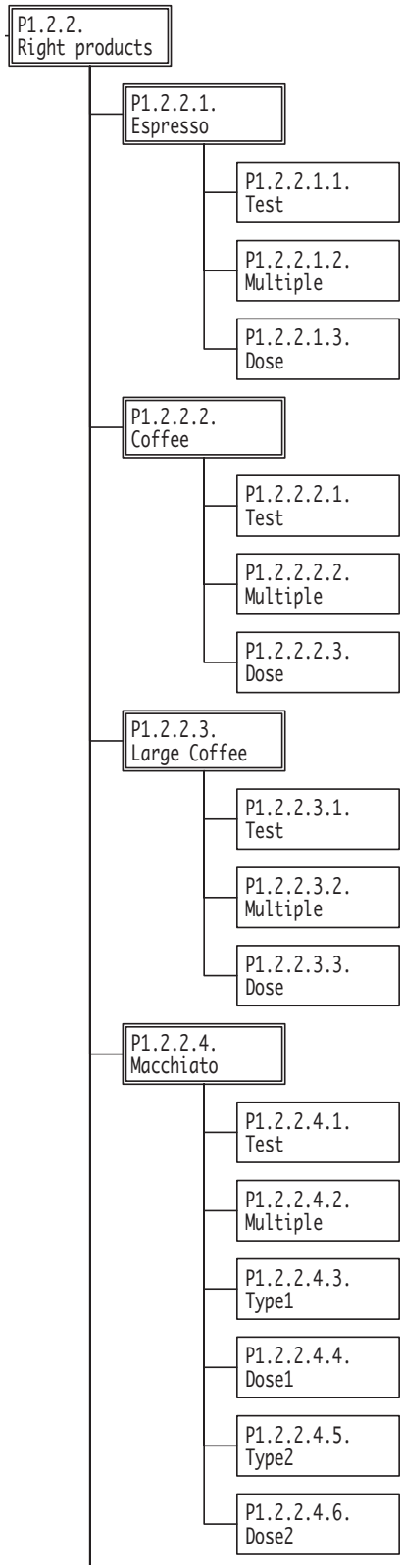
Test: enables dispensing of the product.

Multiple: allows enabling or disabling of the double dose.

Dose: enables setting of the quantity of water for the beverage.

Copy to all: enables automatic setting of the LARGE COFFEE on the right part of the machine as well as on the left part.

- p1. Products
 - p1.1. Global
 - p1.1.1. AutoProgram
 - p1.1.2. Prebrewing
 - p1.1.3. Milk Drainage
 - p1.1.4. Milk Cleaning
 - p1.2. Details
 - p1.2.1. Left products
 - p1.2.2. Right products**
 - p1.2.3. HotWater
- p2. System
 - p2.1. Temperature
 - p2.1.1. Delta Temperature
 - p2.1.2. Coffee Heater
 - p2.2. Security
 - p2.2.1. Operator Password
 - p2.2.2. Technical Password
 - p2.3. Options
 - p2.3.1. Cup Heater
 - p2.3.2. Antifreezing
 - p2.3.3. Unit Visible
 - p2.3.4. Buzzer
 - p2.4. Date/Time
 - p2.4.1. Date
 - p2.4.2. Date Format
 - p2.4.3. Time
 - p2.4.4. Time format
- p3. Factory Default
 - s1. Maintenance
 - s1.1. Water filter
 - s1.1.1. New filter date
 - s1.1.2. Liters to Renew
 - s1.1.3. Filter limit
 - s1.1.4. Reset filter
 - s1.1.5. Filter enable
 - s1.2. Drillers
 - s1.2.1. Warming enabled
 - s1.2.2. Left driller state
 - s1.2.3. Right driller state
 - s1.3. Test mode
 - s1.3.1. Master test
 - s1.3.2. Left Coffee test
 - s1.3.3. Right Coffee test
 - s1.3.4. Water/Steam test
 - s2. System Info
 - s2.1. Identification
 - s2.1.1. Software Version
 - s2.1.2. Machine Code
 - s2.2. Error Log
 - s2.2.1. Errors
 - s2.2.2. Reset log
 - s2.3. Audit
 - s2.3.1. Counters from init
 - s2.3.2. Counters from reset
 - s2.3.3. Reset Audit
 - s3. Install/Uninstall
 - s3.1. Install
 - s3.1.1. Language
 - s3.1.2. Machine Code
 - s3.1.3. Display Contrast
 - s3.2. Uninstall
 - s3.2.1. Empty Boiler



P1.2.2 Right products

Enables setting of the parameters of the beverage on the right part of the machine:

P1.2.2.1. Espresso

The full product is displayed and by pressing Enter the following parameters may be selected/set:

Test: enables dispensing of the product.

Multiple: allows enabling or disabling of the double dose.

Dose: enables setting of the quantity of water for the beverage.

P1.2.2.2. Coffee

The full product is displayed and by pressing Enter the following parameters may be selected/set:

Test: enables dispensing of the product.

Multiple: allows enabling or disabling of the double dose.

Dose: enables setting of the quantity of water for the beverage.

P1.2.2.3. LargeCoffee

The full product is displayed and by pressing Enter the following parameters may be selected/set:

Test: enables dispensing of the product.

Multiple: allows enabling or disabling of the double dose.

Dose: enables setting of the quantity of water for the beverage.



Keys ,  and  can be preset for brewing beverages of any possible combination of milk and coffee.

P1.2.2.4. Macchiato

The full product is displayed and by pressing Enter the following parameters may be selected/set:

Test: enables dispensing of the product.

Multiple: allows enabling or disabling of the double dose.

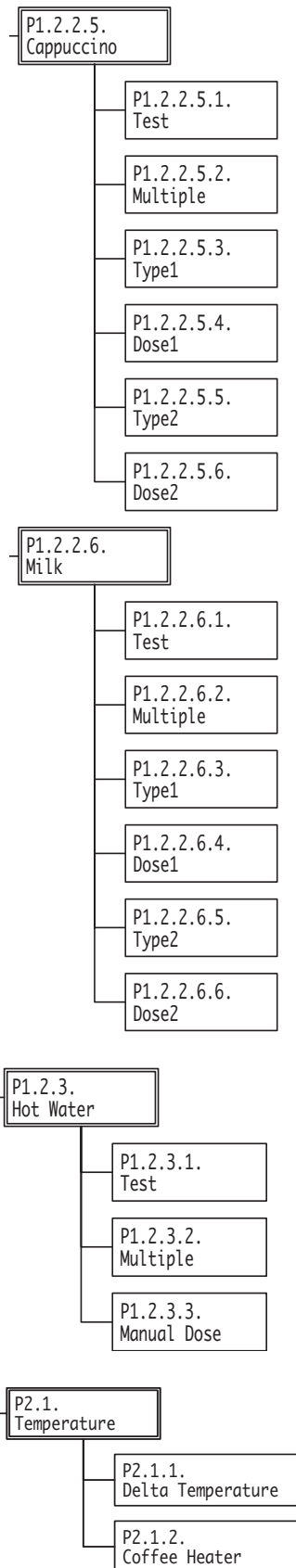
Type 1: enables setting of product 1 (COFFEE).

Dose 1: enables setting of the quantity of water for beverage 1.

Type 2: enables setting of product 2 (MILK).

Dose 2: enables setting of the brewing time of product 2.

- p1. Products
 - p1.1. Global
 - p1.1.1. AutoProgram
 - p1.1.2. Prebrewing
 - p1.1.3. Milk Drainage
 - p1.1.4. Milk Cleaning
 - p1.2. Details
 - p1.2.1. Left products
 - p1.2.2. Right products**
 - p1.2.3. HotWater**
- p2. System
 - p2.1. Temperature**
 - p2.1.1. Delta Temperature**
 - p2.1.2. Coffee Heater**
 - p2.2. Security
 - p2.2.1. Operator Password
 - p2.2.2. Technical Password
 - p2.3. Options
 - p2.3.1. Cup Heater
 - p2.3.2. Antifreezing
 - p2.3.3. Unit Visible
 - p2.3.4. Buzzer
 - p2.4. Date/Time
 - p2.4.1. Date
 - p2.4.2. Date Format
 - p2.4.3. Time
 - p2.4.4. Time format
- p3. Factory Default
 - s1. Maintenance
 - s1.1. Water filter
 - s1.1.1. New filter date
 - s1.1.2. Liters to Renew
 - s1.1.3. Filter limit
 - s1.1.4. Reset filter
 - s1.1.5. Filter enable
 - s1.2. Drillers
 - s1.2.1. Warning enabled
 - s1.2.2. Left driller state
 - s1.2.3. Right driller state
 - s1.3. Test mode
 - s1.3.1. Master test
 - s1.3.2. Left Coffee test
 - s1.3.3. Right Coffee test
 - s1.3.4. Water/Steam test
 - s2. System Info
 - s2.1. Identification
 - s2.1.1. Software Version
 - s2.1.2. Machine Code
 - s2.2. Error Log
 - s2.2.1. Errors
 - s2.2.2. Reset log
 - s2.3. Audit
 - s2.3.1. Counters from init
 - s2.3.2. Counters from reset
 - s2.3.3. Reset Audit
 - s3. Install/Uninstall
 - s3.1. Install
 - s3.1.1. Language
 - s3.1.2. Machine Code
 - s3.1.3. Display Contrast
 - s3.2. Uninstall
 - s3.2.1. Empty Boiler



P1.2.2.5. Cappuccino

The full product is displayed and by pressing Enter the following parameters may be selected/set:

Test: enables dispensing of the product.

Multiple: allows enabling or disabling of the double dose.

Type1: enables setting of product 1 (MILK).

Dose1: enables setting of the brewing time of product 1.

Type2: enables setting of product 2 (COFFEE).

Dose2: enables setting of the quantity of water for beverage 2.

P1.2.2.6. Milk

The full product is displayed and by pressing Enter the following parameters may be selected/set:

Test: enables dispensing of the product.

Multiple: allows enabling or disabling of the double dose.

Type1: enables setting of product 1 (MILK).

Dose1: enables setting of the brewing time of product 1.

Type2: -

Dose2: -

P1.2.3 Hot water

Enables setting of the parameters for hot water. The following parameters can be selected/set:

Test: enables hot water dispensing.

Multiple: allows enabling or disabling of the function to dispense up to eight beverages. Function not implemented.

ManualDose: enables setting of the quantity of water to be dispensed for each selection.

P2.1 TEMPERATURE

For each coffee dispensed, it is possible to change the temperature of the water used during dispensing and programmed during the installation phase.

P2.1.1. Delta Temperature

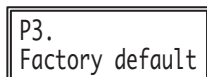
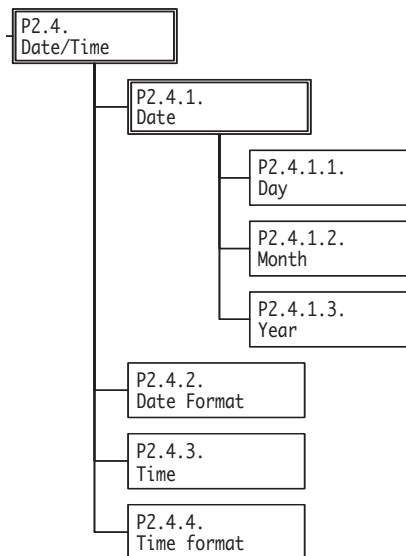
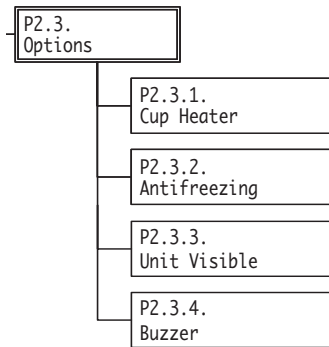
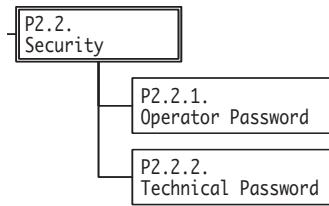
sets the temperature change for both groups; the setup is the temperature set and the change can be made by means of "+" and "-" keys:

- by pressing "+" this temperature is increased.

- by pressing "-" this temperature is decreased.

P2.1.2. Coffee Heater (technician only)

- p1. Products
 - p1.1. Global
 - p1.1.1. AutoProgram
 - p1.1.2. Prebrewing
 - p1.1.3. Milk Drainage
 - p1.1.4. Milk Cleaning
 - p1.2. Details
 - p1.2.1. Left products
 - p1.2.2. Right products
 - p1.2.3. HotWater
- p2. System
 - p2.1. Temperature
 - p2.1.1. Delta Temperature
 - p2.1.2. Coffee Heater
 - p2.2. Security**
 - p2.2.1. Operator Password**
 - p2.2.2. Technical Password**
 - p2.3. Options**
 - p2.3.1. Cup Heater**
 - p2.3.2. Antifreezing**
 - p2.3.3. Unit Visible**
 - p2.3.4. Buzzer**
 - p2.4. Date/Time**
 - p2.4.1. Date**
 - p2.4.1.1. Date format**
 - p2.4.1.2. Time**
 - p2.4.1.3. Time format**
 - p2.4.2. Date Format**
 - p2.4.3. Time**
 - p2.4.4. Time format**
- p3. Factory Default
 - s1. Maintenance
 - s1.1. Water filter
 - s1.1.1. New filter date
 - s1.1.2. Liters to Renew
 - s1.1.3. Filter limit
 - s1.1.4. Reset filter
 - s1.1.5. Filter enable
 - s1.2. Drillers
 - s1.2.1. Warning enabled
 - s1.2.2. Left driller state
 - s1.2.3. Right driller state
 - s1.3. Test mode
 - s1.3.1. Master test
 - s1.3.2. Left Coffee test
 - s1.3.3. Right Coffee test
 - s1.3.4. Water/Steam test
 - s2. System Info
 - s2.1. Identification
 - s2.1.1. Software Version
 - s2.1.2. Machine Code
 - s2.2. Error Log
 - s2.2.1. Errors
 - s2.2.2. Reset log
 - s2.3. Audit
 - s2.3.1. Counters from init
 - s2.3.2. Counters from reset
 - s2.3.3. Reset Audit
 - s3. Install/Uninstall
 - s3.1. Install
 - s3.1.1. Language
 - s3.1.2. Machine Code
 - s3.1.3. Display Contrast
 - s3.2. Uninstall
 - s3.2.1. Empty Boiler



P2.2 SECURITY

This function enables a password to be assigned to access the programming. If no password has been assigned, the programming menu is entered directly.

P2.2.1. Operator password

By setting this password, the machine user is not authorized to operate on certain items. (see sect. "12.4 Structure of the programming menu")

P2.2.2. Technician password (technician only)

P2.3 OPTIONS

Allows enabling of certain standard functions.

P2.3.1. Cup Heater

By confirming "ON" the cup warming plate turns on together with the machine.
By confirming "OFF" the cup warming plate is always off.

P2.3.2. Anti-freezing (technician only)

P2.3.3. Unit Visible (technician only)

P2.3.4. Buzzer (technician only)

P2.4 DATE/TIME

This function enables setting of the calendar and the clock of the machine.

P2.4.1. Date

P2.4.1.1. Day

Allows the date to be changed

P2.4.1.2. Month

Allows the month to be changed

P2.4.1.3. Year

Allows the year to be changed

P2.4.2. Data format

Allows the data format to be changed.

P2.4.3. Time

Enables the time to be changed.

P2.4.4. Time format

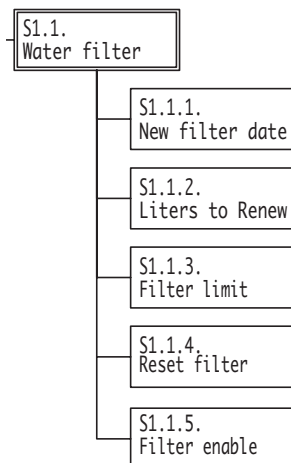
Allows the time format to be changed.

P3. FACTORY DEFAULT

(technician only)

- p1. Products
 - p1.1. Global
 - p1.1.1. AutoProgram
 - p1.1.2. Prebrewing
 - p1.1.3. Milk Drainage
 - p1.1.4. Milk Cleaning
 - p1.2. Details
 - p1.2.1. Left products
 - p1.2.2. Right products
 - p1.2.3. HotWater
- p2. System
 - p2.1. Temperature
 - p2.1.1. Delta Temperature
 - p2.1.2. Coffee Heater
 - p2.2. Security
 - p2.2.1. Operator Password
 - p2.2.2. Technical Password
 - p2.3. Options
 - p2.3.1. Cup Heater
 - p2.3.2. Antifreezing
 - p2.3.3. Unit Visible
 - p2.3.4. Buzzer
 - p2.4. Date/Time
 - p2.4.1. Date
 - p2.4.2. Date Format
 - p2.4.3. Time
 - p2.4.4. Time format
- p3. Factory Default
 - s1. Maintenance
 - s1.1. Water filter**
 - s1.1.1. New filter date**
 - s1.1.2. Liters to Renew**
 - s1.1.3. Filter limit**
 - s1.1.4. Reset filter**
 - s1.1.5. Filter enable**
 - s1.2. Drillers**
 - s1.2.1. Warning enabled**
 - s1.2.2. Left driller state**
 - s1.2.2.1. Last changed**
 - s1.2.2.2. Remaining autonomy**
 - s1.2.2.3. Change now**
 - s1.2.3. Right driller state**
 - s1.2.3.1. Last changed**
 - s1.2.3.2. Remaining autonomy**
 - s1.2.3.3. Change now**
 - s1.3. Test mode
 - s1.3.1. Master test
 - s1.3.2. Left Coffee test
 - s1.3.3. Right Coffee test
 - s1.3.4. Water/Steam test
- s2. System Info
 - s2.1. Identification
 - s2.1.1. Software Version
 - s2.1.2. Machine Code
 - s2.2. Error Log
 - s2.2.1. Errors
 - s2.2.2. Reset log
 - s2.3. Audit
 - s2.3.1. Counters from init
 - s2.3.2. Counters from reset
 - s2.3.3. Reset Audit
- s3. Install/Uninstall
 - s3.1. Install
 - s3.1.1. Language
 - s3.1.2. Machine Code
 - s3.1.3. Display Contrast
 - s3.2. Uninstall
 - s3.2.1. Empty Boiler

12.6 Structure of the maintenance menu



S1.1. WATER FILTER

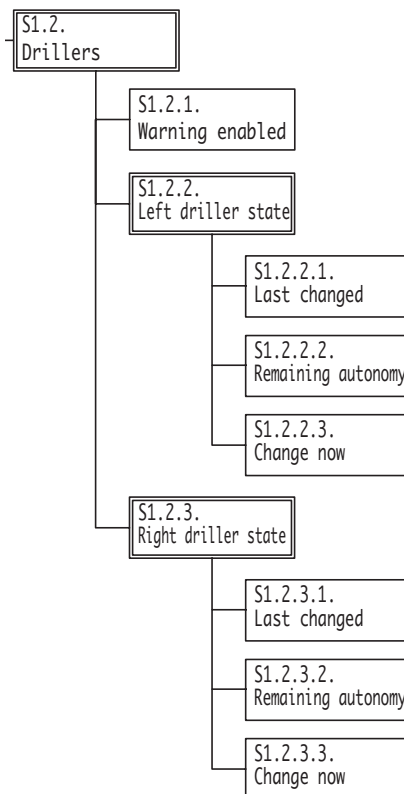
S1.1.1. New filter date
Displays the date of the last descaling.

S1.1.2. Liters to Renew
Displays the litres left before descaling needs to be performed.

S1.1.3. Filter limit
Enables setting the filter duration litres. Press Enter to set the number of litres.

S1.1.4. Reset filter
Enables performance of the descaling procedure.

S1.1.5. Filter enable
Function which allows enabling/disabling display of the service warning.



S1.2. DRILLERS

S1.2.1. Warning enabled
Function which allows enabling/disabling the warning to replace the piercers.

S1.2.2. Left driller state
S1.2.2.1. Last changed
Displays the last replacement of the piercers.

S1.2.2.2. Remaining autonomy
Displays the remaining duration of the piercers.

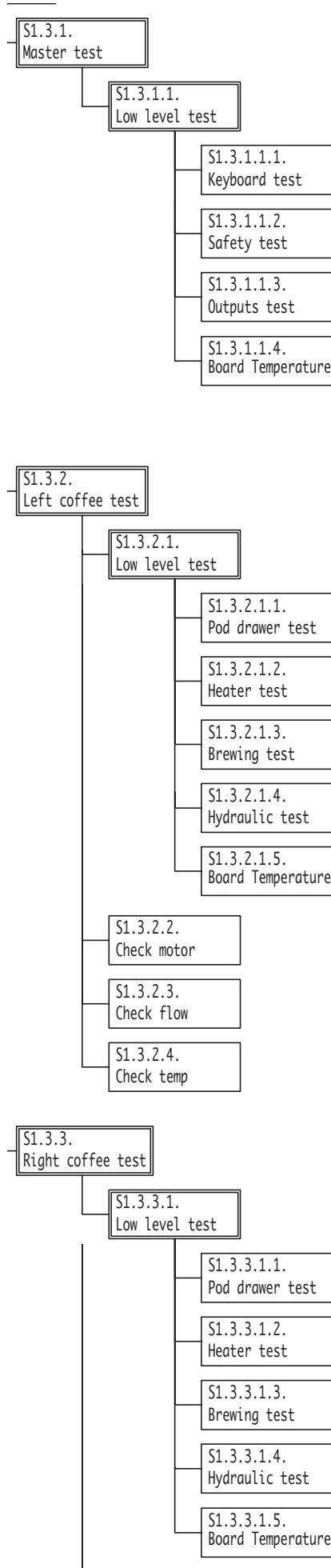
S1.2.2.3. Change now (technician only)

S1.2.3. Right driller state
S1.2.3.1. Last changed
Displays the last replacement of the piercers.

S1.2.3.2. Remaining autonomy
Displays the remaining duration of the piercers.

S1.2.3.3. Change now (technician only)

- p1. Products
 - p1.1. Global
 - p1.1.1. AutoProgram
 - p1.1.2. Prebrewing
 - p1.1.3. Milk Drainage
 - p1.1.4. Milk Cleaning
 - p1.2. Details
 - p1.2.1. Left products
 - p1.2.2. Right products
 - p1.2.3. HotWater
- p2. System
 - p2.1. Temperature
 - p2.1.1. Delta Temperature
 - p2.1.2. Coffee Heater
 - p2.2. Security
 - p2.2.1. Operator Password
 - p2.2.2. Technical Password
 - p2.3. Options
 - p2.3.1. Cup Heater
 - p2.3.2. Antifreezing
 - p2.3.3. Unit Visible
 - p2.3.4. Buzzer
 - p2.4. Date/Time
 - p2.4.1. Date
 - p2.4.2. Date Format
 - p2.4.3. Time
 - p2.4.4. Time format
- p3. Factory Default
- s1. Maintenance
 - s1.1. Water filter
 - s1.1.1. New filter date
 - s1.1.2. Liters to Renew
 - s1.1.3. Filter limit
 - s1.1.4. Reset filter
 - s1.1.5. Filter enable
 - s1.2. Drillers
 - s1.2.1. Warning enabled
 - s1.2.2. Left driller state
 - s1.2.3. Right driller state
- s1.3. Test mode**
 - s1.3.1. Master test**
 - s1.3.2. Left Coffee test**
 - s1.3.3. Right Coffee test**
 - s1.3.4. Water/Steam test
- s2. System Info
 - s2.1. Identification
 - s2.1.1. Software Version
 - s2.1.2. Machine Code
 - s2.2. Error Log
 - s2.2.1. Errors
 - s2.2.2. Reset log
 - s2.3. Audit
 - s2.3.1. Counters from init
 - s2.3.2. Counters from reset
 - s2.3.3. Reset Audit
- s3. Install/Uninstall
 - s3.1. Install
 - s3.1.1. Language
 - s3.1.2. Machine Code
 - s3.1.3. Display Contrast
 - s3.2. Uninstall
 - s3.2.1. Empty Boiler



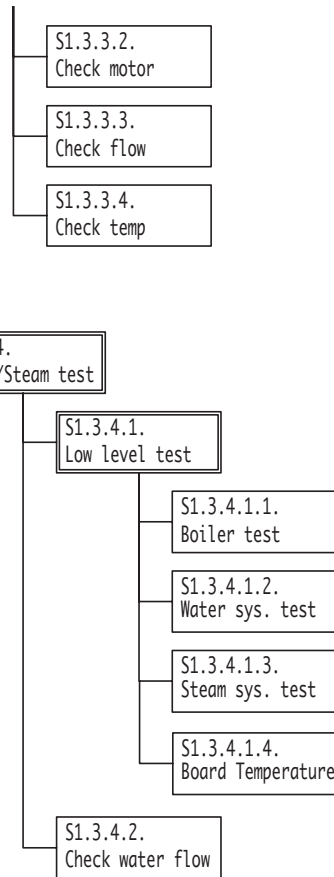
S1.3. TEST MODE

- S1.3.1. Master test (technician only)
 - S1.3.1.1. Low level test (technician only)
 - S1.3.1.1.1. Keyboards test (technician only)
 - S1.3.1.1.2. Safety test (technician only)
 - S1.3.1.1.3. Outputs test (technician only)
 - S1.3.1.1.4. Board temperature (technician only)

- S1.3.2. Left coffee test (technician only)
 - S1.3.2.1. Low level test (technician only)
 - S1.3.2.1.1. Pod drawer test (technician only)
 - S1.3.2.1.2. Heater test (technician only)
 - S1.3.2.1.3. Brewing test (technician only)
 - S1.3.2.1.4. Hydraulic test (technician only)
 - S1.3.2.1.5. Board temperature (technician only)
 - S1.3.2.2. Check motor (technician only)
 - S1.3.2.3. Check flow (technician only)
 - S1.3.2.4. Check temp (technician only)

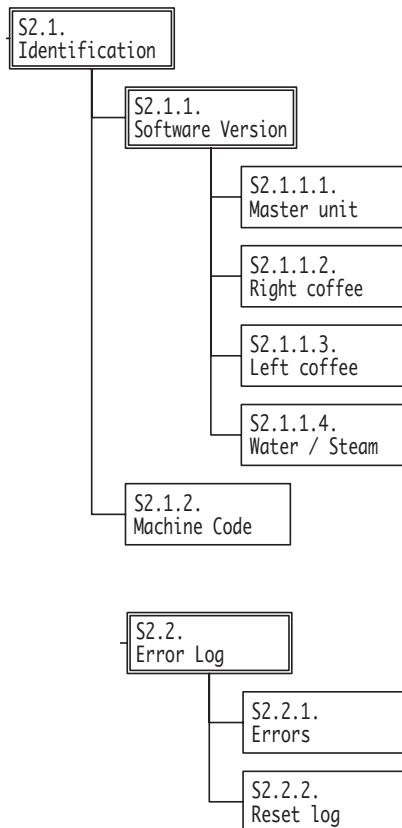
- S1.3.3. Right coffee test (technician only)
 - S1.3.3.1. Low level test (technician only)
 - S1.3.3.1.1. Pod drawer test (technician only)
 - S1.3.3.1.2. Heater test (technician only)
 - S1.3.3.1.3. Brewing test (technician only)
 - S1.3.3.1.4. Hydraulic test (technician only)
 - S1.3.3.1.5. Board temperature (technician only)

- p1. Products
 - p1.1. Global
 - p1.1.1. AutoProgram
 - p1.1.2. Prebrewing
 - p1.1.3. Milk Drainage
 - p1.1.4. Milk Cleaning
 - p1.2. Details
 - p1.2.1. Left products
 - p1.2.2. Right products
 - p1.2.3. HotWater
- p2. System
 - p2.1. Temperature
 - p2.1.1. Delta Temperature
 - p2.1.2. Coffee Heater
 - p2.2. Security
 - p2.2.1. Operator Password
 - p2.2.2. Technical Password
 - p2.3. Options
 - p2.3.1. Cup Heater
 - p2.3.2. Antifreezing
 - p2.3.3. Unit Visible
 - p2.3.4. Buzzer
 - p2.4. Date/Time
 - p2.4.1. Date
 - p2.4.2. Date Format
 - p2.4.3. Time
 - p2.4.4. Time format
- p3. Factory Default
- s1. Maintenance
 - s1.1. Water filter
 - s1.1.1. New filter date
 - s1.1.2. Liters to Renew
 - s1.1.3. Filter limit
 - s1.1.4. Reset filter
 - s1.1.5. Filter enable
 - s1.2. Drillers
 - s1.2.1. Warning enabled
 - s1.2.2. Left driller state
 - s1.2.3. Right driller state
 - s1.3. Test mode
 - s1.3.1. Master test
 - s1.3.2. Left Coffee test
 - s1.3.3. Right Coffee test**
 - s1.3.4. Water/Steam test**
- s2. System Info
 - s2.1. Identification**
 - s2.1.1. Software Version**
 - S2.1.1.1. Master unit
 - S2.1.1.2. Right coffee
 - S2.1.1.3. Left coffee
 - S2.1.1.4. Water / Steam
 - S2.1.2. Machine Code
 - S2.2. Error Log
 - S2.2.1. Errors
 - S2.2.2. Reset log
- s2.3. Audit
 - s2.3.1. Counters from init
 - s2.3.2. Counters from reset
 - s2.3.3. Reset Audit

- s3. Install/Uninstall
- s3.1. Install
 - s3.1.1. Language
 - s3.1.2. Machine Code
 - s3.1.3. Display Contrast
- s3.2. Uninstall
 - s3.2.1. Empty Boiler


- S1.3.3.2. Check motor (technician only)
- S1.3.3.3. Check flow (technician only)
- S1.3.3.4. Check temp (technician only)

- S1.3.4. Water/Steam test (technician only)
 - S1.3.4.1. Low level test (technician only)
 - S1.3.4.1.1. Boiler test (technician only)
 - S1.3.4.1.1.1. Water sys. test (technician only)
 - S1.3.4.1.1.2. Water sys. test (technician only)
 - S1.3.4.1.1.3. Steam sys. test (technician only)
 - S1.3.4.1.1.4. Board temperature (technician only)
 - S1.3.4.1.2. Water sys. test (technician only)
 - S1.3.4.1.3. Steam sys. test (technician only)
 - S1.3.4.1.4. Board temperature (technician only)
 - S1.3.4.2. Check water flow (technician only)



S2.1 IDENTIFICATION

S2.1.1. Software version

Enables display of the software versions of the following cards:

- Master unit;
- Right coffee;
- Left coffee;
- Water&Steam

S2.1.2. Machine code

Enables to display the machine code

S2.2 ERROR LOG

This function allows the last 50 errors occurred to the machine to be displayed:

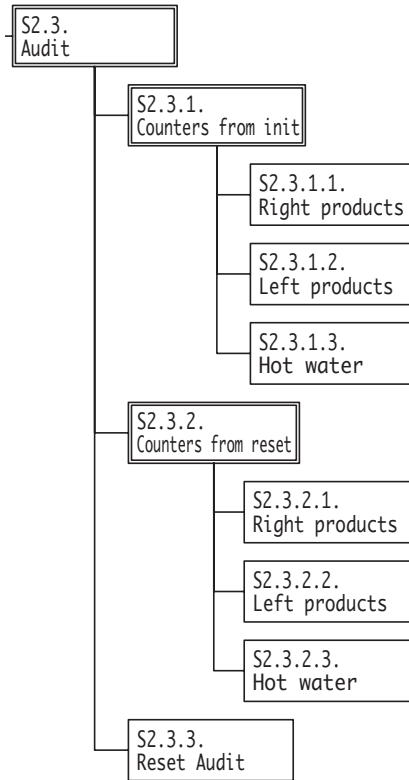
S2.2.1. Errors

Displays each individual error and provides certain information about it (since last reset):

- part of the machine affected by the error;
- error number;
- error date and time.

S2.2.2. Reset log (technician only)

- p1. Products
 - p1.1. Global
 - p1.1.1. AutoProgram
 - p1.1.2. Prebrewing
 - p1.1.3. Milk Drainage
 - p1.1.4. Milk Cleaning
 - p1.2. Details
 - p1.2.1. Left products
 - p1.2.2. Right products
 - p1.2.3. HotWater
- p2. System
 - p2.1. Temperature
 - p2.1.1. Delta Temperature
 - p2.1.2. Coffee Heater
 - p2.2. Security
 - p2.2.1. Operator Password
 - p2.2.2. Technical Password
 - p2.3. Options
 - p2.3.1. Cup Heater
 - p2.3.2. Antifreezing
 - p2.3.3. Unit Visible
 - p2.3.4. Buzzer
 - p2.4. Date/Time
 - p2.4.1. Date
 - p2.4.2. Date Format
 - p2.4.3. Time
 - p2.4.4. Time format
- p3. Factory Default
- s1. Maintenance
 - s1.1. Water filter
 - s1.1.1. New filter date
 - s1.1.2. Liters to Renew
 - s1.1.3. Filter limit
 - s1.1.4. Reset filter
 - s1.1.5. Filter enable
 - s1.2. Drillers
 - s1.2.1. Warning enabled
 - s1.2.2. Left driller state
 - s1.2.3. Right driller state
 - s1.3. Test mode
 - s1.3.1. Master test
 - s1.3.2. Left Coffee test
 - s1.3.3. Right Coffee test
 - s1.3.4. Water/Steam test
- s2. System Info
 - s2.1. Identification
 - s2.1.1. Software Version
 - s2.1.2. Machine Code
 - s2.2. Error Log
 - s2.2.1. Errors
 - s2.2.2. Reset log
- s2.3. Audit**
 - s2.3.1. Counters from init**
 - s2.3.2. Counters from reset**
 - s2.3.3. Reset Audit**
- s3. Install/Uninstall
 - s3.1. Install**
 - s3.1.1. Language
 - s3.1.2. Machine Code
 - s3.1.3. Display Contrast
 - s3.2. Uninstall**
 - s3.2.1. Empty Boiler



S2.3 AUDIT

S2.3.1. Counters from init

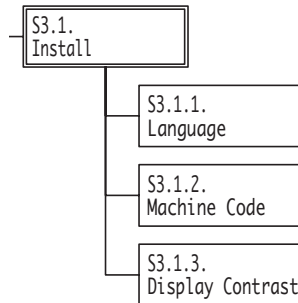
Displays the number of beverages dispensed. The beverage count is divided into brew groups (right and left), and then for each single beverage (espresso, milk, cappuccino, macchiato, long and coffee).

S2.3.2. Counters from reset

Displays the number of beverages dispensed since the last reset of the counters. The beverage count is divided into brew groups (right and left), and then for each single beverage (espresso, milk, cappuccino, macchiato, long and coffee).

S2.3.3. Reset audit

Enables resetting of counters of both brew groups.

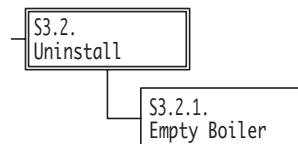


S3.1 INSTALL

S3.1.1. Language (technician only)

S3.1.2. Machine Code (technician only)

S3.1.3. Display Contrast (technician only)



S3.2 UNINSTALL

S3.2.1. Empty Boiler (technician only)

12.7 Display messages

Message	Cause	Solution
BREW GROUP ERROR	Appears when an error occurs which can be identified by a number displayed on the service menu at item S.2.2.1.1	Obtain the error identification number from the service menu, turn off the machine and call the AUTHORIZED CUSTOMER SERVICE CENTRE. For the errors indicated below, before calling the AUTHORIZED CUSTOMER SERVICE CENTRE it is necessary to carry out the following checks: 52 check that water is present in the water network; 55 check that the group is correctly in place.
EMPTY DREGDRAWER (WARNING)	Appears when the capsule drawer is almost full (the machine has dispensed the programmed number of beverages). Further dispensing can be performed.	Empty the capsule drawer
EMPTY DREGDRAWER (ALARM)	Appears when the capsule drawer is completely full (the machine has dispensed the programmed number of beverages). The machine is blocked and no more dispensing can be performed until the capsule drawer is emptied.	Empty the capsule drawer
CLOSE DOOR	The door is not closed correctly.	Close the door
CLOSE DREGDRAWER	The capsule drawer is not properly in place.	Insert the capsule drawer correctly
PUT HOPPER	The hopper is not properly in place.	Insert the hopper correctly

12.8 Turning off the machine

This is achieved by setting the main switch **(21)** in the "0" position or by unplugging the machine.

13 - SCHEDULED MAINTENANCE



Warning

- For operating problems, normally reported on the display, switch off the machine immediately, turn off the power supply using the all-pole switch or by unplugging the machine and contact the nearest customer service centre.
- Before carrying out any maintenance and/or cleaning operation, disconnect the power supply using the main switch (27) and the all-pole switch (or unplug the machine).
- All operations must be performed when the machine is cold.
- Do not perform any cleaning operation when the machine is in "standby".
- The cleaning products are available from all suppliers of coffee machine spare parts. If they cannot be found locally, please ask the principal company or the installer for assistance.
- Never wash any of the machine components in the dishwasher.
- Do not use direct jets of water.

13.1 Cleaning the machine

- Cleaning must be performed daily and if the machine will remain inactive for a prolonged period of time, in order to avoid the solidification of deposits in the containers, trays and dispensers.
- The removable components of the machine must be cleaned and rinsed in tap water.
- Clean the casing, panels and machine controls using soft cloths dampened with lukewarm water.
- The non-removable components and the machine must be cleaned only with cold or lukewarm water, using non-abrasive sponges and wet cloths.
- All the parts requiring cleaning are easily accessible and do not require the use of tools.



IMPORTANT

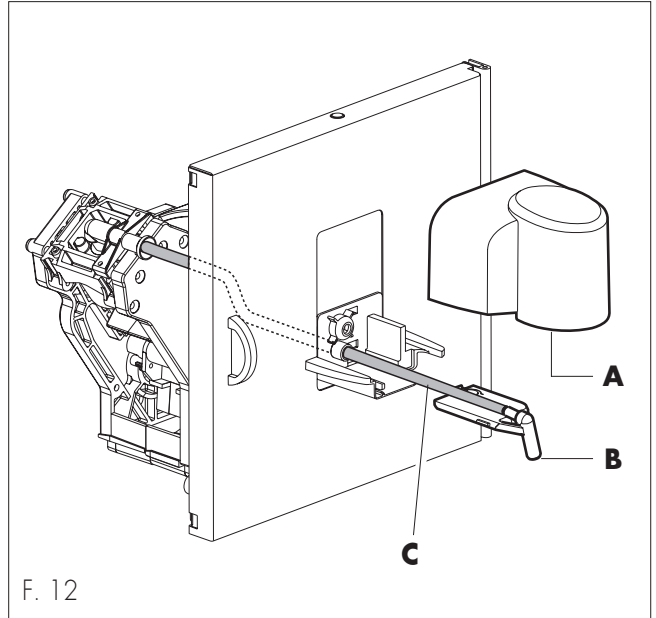
Regular maintenance and cleaning will keep the machine in good working order for longer as well as ensuring compliance with basic hygiene standards.

The machine automatically warns when maintenance or descaling operations must be carried out; the number of beverages dispensed can be seen on the machine display; lack of maintenance by the Maintenance Technician may cause the machine to block.

13.1.1 Coffee dispenser (F. 12)

The following can be removed:

- the upper protection (A), of the dispenser by pulling it outwards;
- the coffee dispenser (B) by pulling it outwards;
- the coffee coupling (C) from the brew group.



13.1.2 Drip tray and relative grille

Remove the drip tray (15) and wash it in tap water, paying particular attention to the grille.

13.1.3 Capsule drawer

Wash the capsule drawer in tap water (16 and 18) after removing it from its seat.

13.1.4 Steam and hot water spouts

Clean the spouts (13 and 19) with a wet non-abrasive cloth. If the nozzles are clogged the end of the spouts can be unscrewed and the nozzles re-opened using a pin.

13.1.5 Cup warming plate

Clean the cup warming plate (4) with a wet non-abrasive cloth.

13.1.6 Brew Group

Remove the brew group (27) and clean it in tap water.

13.1.7 Capsule discharge hopper

Remove the capsule discharge hopper (28) and clean it in tap water.

13.1.8 Cleaning the cappuccinatore



WARNING

Do not perform any cleaning operation of the cappuccinatore when the machine is in "standby".

The CAPPUCINATORE must be cleaned each time it is used, in order to avoid the solidification of deposits.

All removable components must be washed and rinsed in tap water.

Warning! Danger of scalding. Hot water, steam sprays and milk residue may spill out of the cappuccinatore during the washing cycles. Do not place hands or other parts of the body close to these parts until the cleaning cycle is complete.

The aim of this operation is to remove all the grease and scale deposits that have formed during the flow and emulsion of the milk.

If the washing cycle is not performed, this would cause the deposits to solidify, resulting in a loss of performance for the cappuccinatore.

WARNING

The operations described below should be performed with the machine switched on and under pressure.

Periodic cleaning

This operation must be performed approximately every 30 minutes if the cappuccinatore is used continuously.

- Remove the hose from the milk container and immerse it in cold water.
- Press the milk dispensing button to clean the cappuccinatore.

WARNING

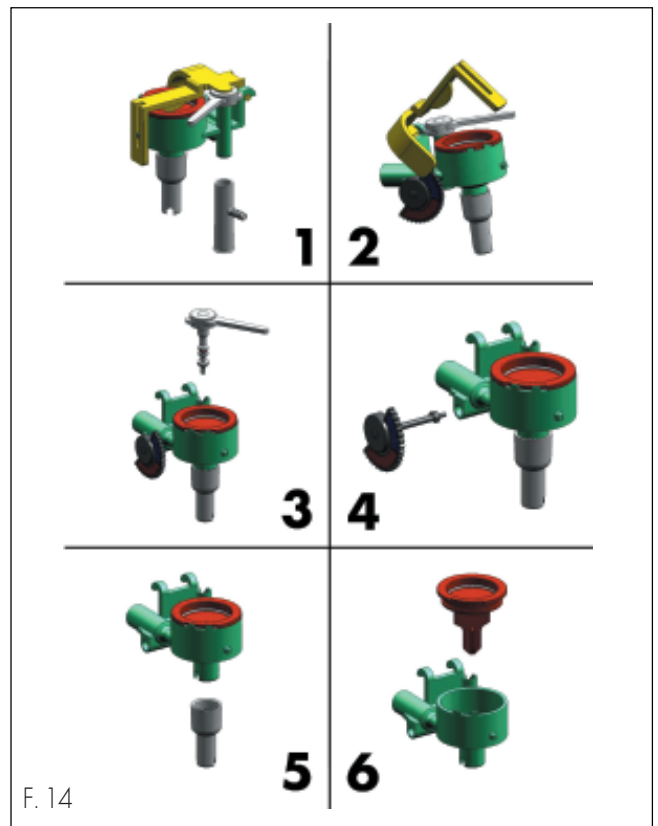
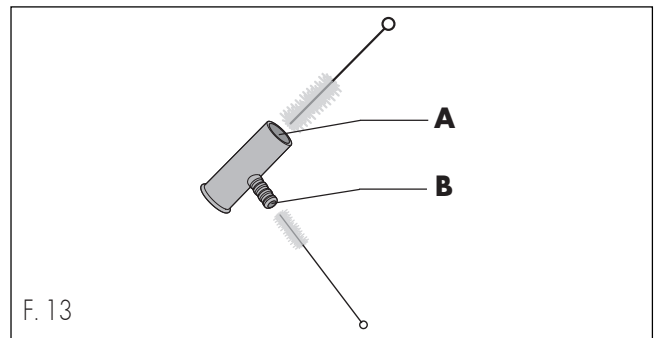
It is recommended that the abovementioned cycle is performed at least twice at intervals of one minute.

Cleaning of the cappuccinatore each evening

To be performed at the end of the working day.

- Fill a container with ½ litre of cold water and one dose of liquid detergent (see product instructions).
- Remove the suction tube from the milk container and immerse it in the detergent solution.
- By pressing the MILK button the water will flow out of the cappuccino dispensing head. The message MILK will appear on the display. Keep dispensing the milk beverage until the liquid has run out.
- The detergent will be drawn up automatically and flow out of the cappuccinatore head.
- Once the washing cycle is complete, remove the chromed cover.
- Remove the cappuccinatore (see figure 14):
 - Gently pull downwards and remove the connector of the milk tube placed at the side of the cappuccinatore.
 - Remove the cappuccinatore by pulling it from the front towards you.
 - Dismantle the cappuccinatore completely and disassemble the five parts.

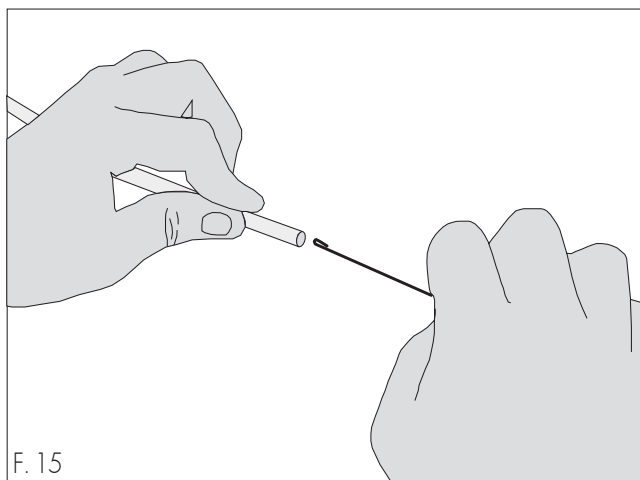
- Prepare a new dose of detergent solution (as above) and immerse the parts of the cappuccinatore.
- Wash each part with a sponge and remove all organic residue, then re-immerses the cappuccinatore in the solution for at least two hours.
- Replace the components.
- Put the cappuccinatore back in the machine, insert the milk pipe connector placed at the side of the cappuccinatore and replace the chromed cover in its seat.
- Clean the holes A and B using the appropriate bottle brushes (see figure)



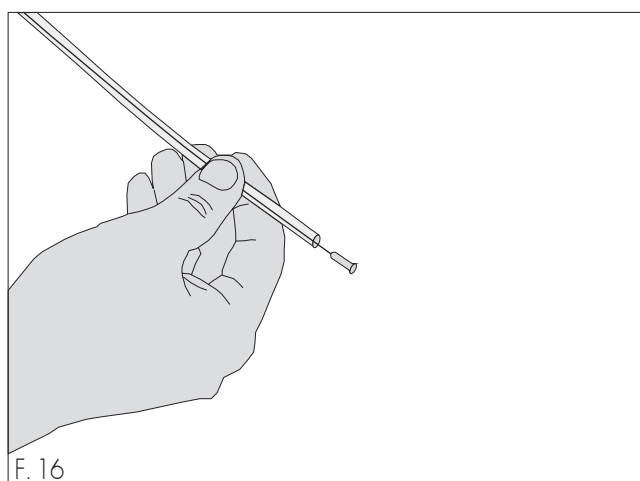
- Rinse allowing at least ½ litre of cold water to be pumped through the cappuccinatore.

Cleaning of the cappuccinatore tube

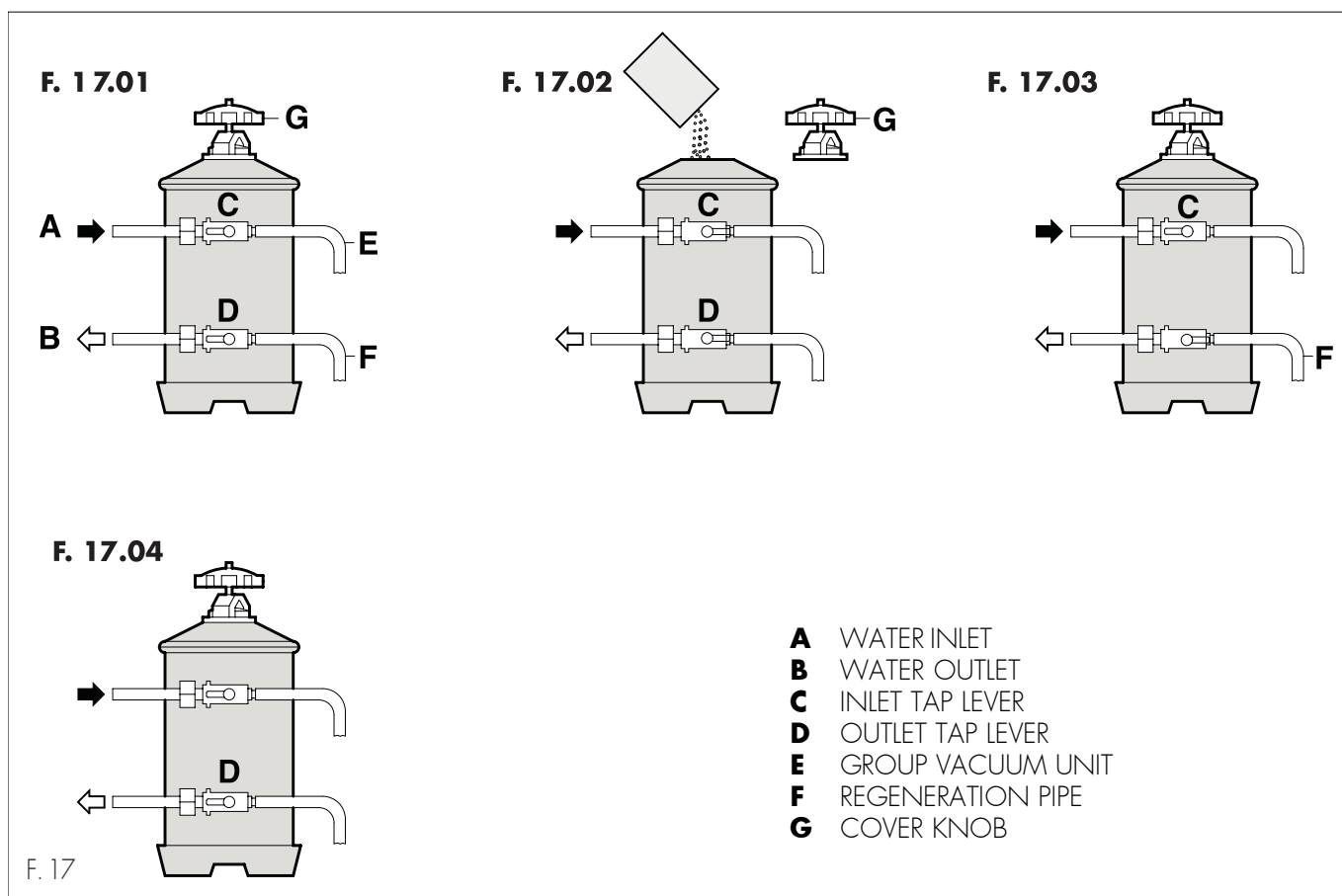
- Remove the tube from the cappuccinatore fitting and from the milk container
- Insert the bottle brush into the tube (see figure)



- Pull it outwards; repeat this operation at least twice



13.1.9 Regeneration of the purifier



IMPORTANT

Regenerate the purifier at the scheduled deadlines indicated below:

HARDNESS F

From 00 to 20
 From 21 to 30
 From 31 to 40
 From 41 to 50

PURIFIER TYPE 8 LITRES

regeneration after 1100 l.
 regeneration after 850 l.
 regeneration after 650 l.
 regeneration after 450 l.

PURIFIER TYPE 12 LITRES

regeneration after 1600 l.
 regeneration after 1250 l.
 regeneration after 950 l.
 regeneration after 650 l.

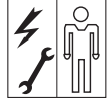
- Place an empty container with a capacity of 2 litres under the pipe **E**
- Move the levers **C** and **D** from left to right as in fig. 17.02, remove the cover by releasing the knob **G**, add 1.5 Kg of sodium chloride (cooking salt), in the purifier (type 8 litres) and 2 kg in the purifier (type 12 litres).
- Replace the cover and reposition the lever **C** from right to left as in fig. 17.03 and let the salty water drain from the tap **F** until there is fresh water.
- Reposition the lever **D** from right to left as in fig. 17.04.



IMPORTANT

The regeneration operations are correct only if the purifier is the one shown in the figures. If it does not correspond, proceed as indicated in the instructions attached to the purifier.

14 - UNSCHEDULED MAINTENANCE



IMPORTANT

Any repair and part replacements form part of the unscheduled maintenance. They are therefore only to be carried out by the Maintenance Technician.

14.1 Brew group

It is recommended that the piercing filter is replaced every 4000-5000 cycles in order to guarantee higher quality of the coffee.

Deassembling the Piercing Filter

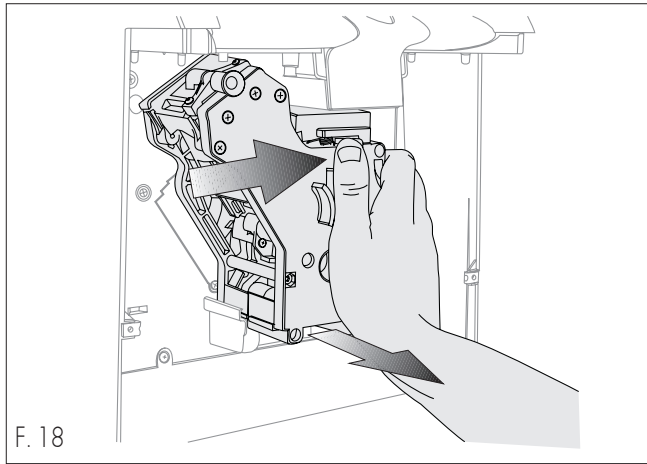
This section explains how to deassemble a piercing filter and carry out maintenance on it.

Press the "PUSH" lever and remove the brew group by pulling it outwards.



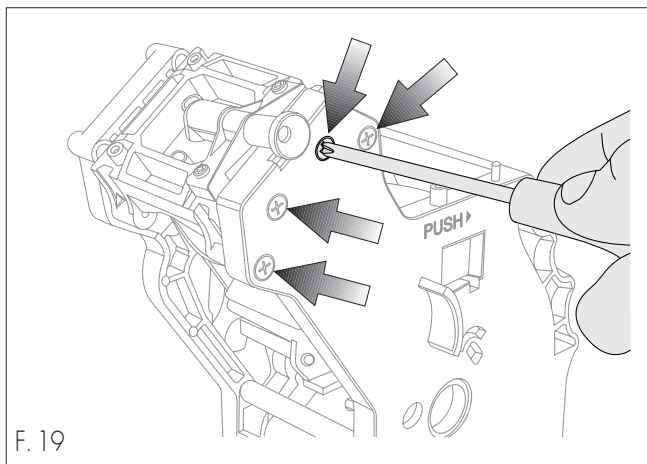
WARNING

This unit includes very sharp parts which may cause injuries to the operator. Please be very careful when performing maintenance operations.



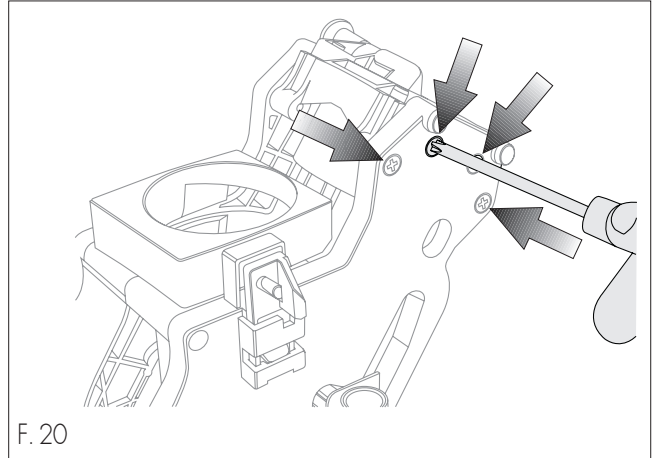
F. 18

Unscrew the 4 screws on the front of the brew group.



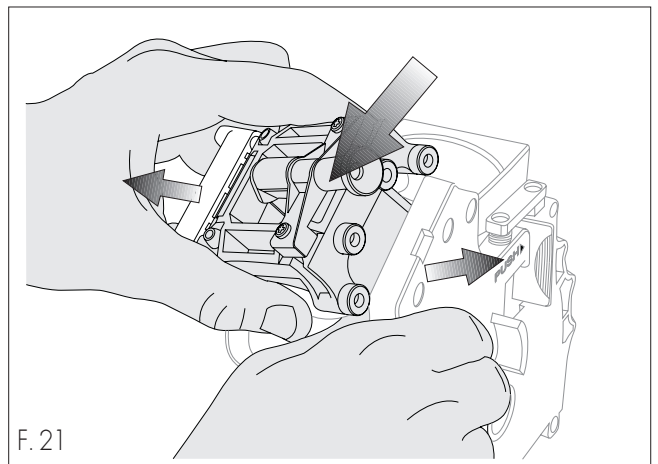
F. 19

Unscrew the 4 screws located at the rear of the brew group.



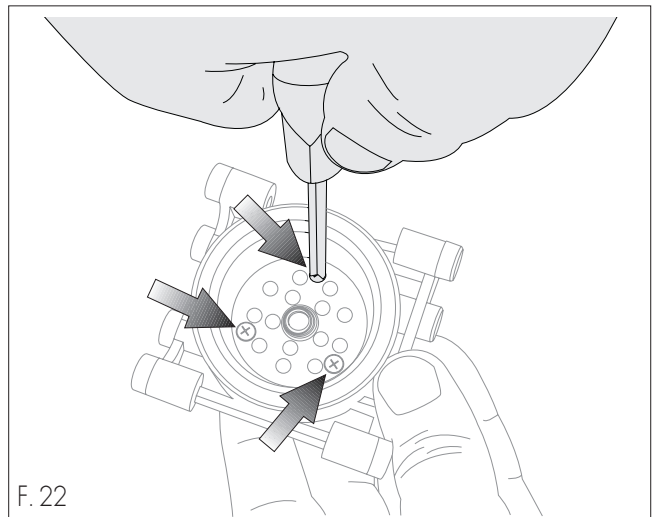
F. 20

Widen the walls of the brew group slightly, and take out the non-removable container for coffee capsules.



F. 21

Unscrew the 3 screws holding the perforator in place.



F. 22

Remove the used perforator and put the new perforator back in place.

**IMPORTANT**

The perforator can be installed only in a pre-set position. To install the perforator correctly, use the notch placed inside the piston stop as a reference.

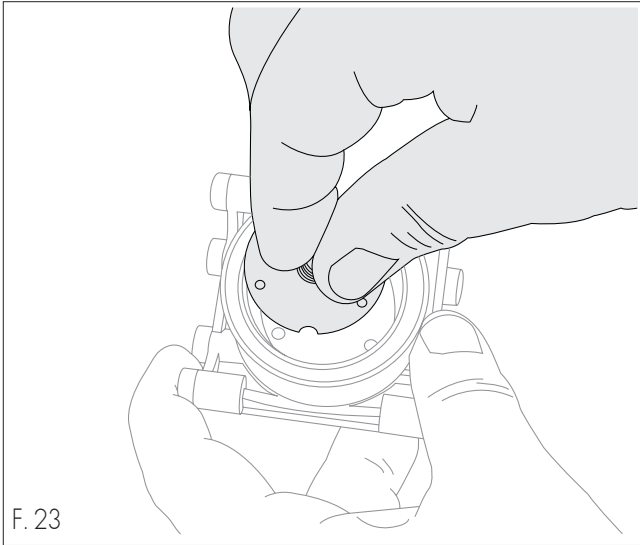
**IMPORTANT**

The perforator must be replaced if a pin is damaged.

15 - INSTRUCTIONS FOR END-OF-LIFE DISPOSAL TREATMENT

**Warning**

The disposal of the vending machine or of a part of it must be carried out with full respect of the environment and according to local laws in force.





F. 23

16 - TROUBLES, CAUSES AND CURES

Here is a list of the possible machine troubles.

The symbol  in the "cure" box means that the operation must be carried out by the **Maintenance Technician** only.

TROUBLE	CAUSE	CURE
<i>The machine does not start</i>	No voltage	Check:
		- if the plug is connected
		- if the all-pole switch (if any) is on
		- the system fuses
		- the electric connections 
<i>No water or steam supply</i>	The steam/hot water spout's hole is clogged	Clean it with a thin needle
<i>Coffee is not hot enough</i>	The cup has not been preheated	Preheat the cup on the cup warming plate
	The machine has not yet reached the suitable temperature	Wait for the machine to reach the suitable temperature
<i>The machine requires too much time to warm up, the water quantity is reduced</i>	The machine circuit is clogged by scale	Descalcify the machine 
<i>The brew group cannot be removed</i>	The brew group is not in the right position	Switch the machine on and off through the main switch
<i>The brew group cannot be refit</i>	The brew group is not in the right position	Manually turn the group onto the standard position, matching the reference mark placed on the structure with the arrow
<i>The cappuccinatore does not dispense milk</i>	The milk used is not cold enough (see warnings)	Move the temperature adjusting lever downward
	No more milk in the container	Fill milk container

AVANT-PROPOS

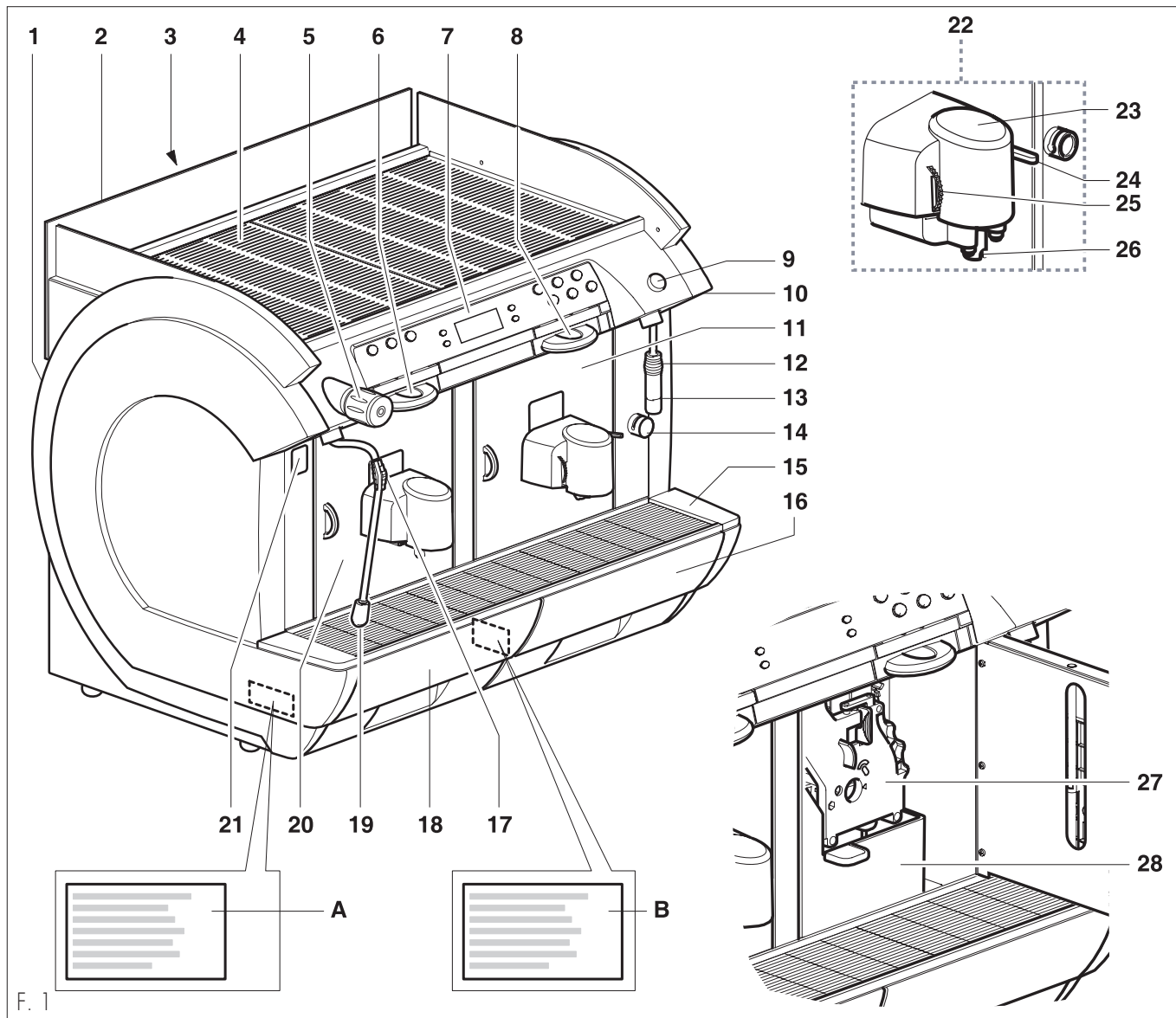
- **Ce manuel** fait partie intégrante de la machine et il est donc à garder dans de bonnes conditions, dans un endroit facilement accessible pendant toute la vie opérationnelle de la machine (compte tenu des passages de propriété aussi). L'objectif de ce manuel est le passage d'informations nécessaires pour l'utilisation correcte et en toute sécurité de la machine.
- **En cas de perte** ou bien de détérioration de ce manuel, s'adresser à un **Centre d'Assistance Agréé**, afin d'en demander une copie, et préciser le modèle et l'année de fabrication de la machine.
- **Les Centres d'Assistance Agréés** sont également disponibles pour tout renseignement concernant les aspects techniques, le fonctionnement, l'assistance technique et les pièces de rechange.
- **Les sujets présentés dans ce manuel** sont valables pour l'utilisation de la machine dans des conditions de sécurité pour les personnes, la machine et l'environnement, dans l'interprétation d'un simple diagnostic des endommagements et des conditions de fonctionnement anormal, en effectuant de simples opérations de contrôle et d'entretien, dans le respect absolu des prescriptions reportées dans les pages suivantes et des Normes de Sécurité et de Santé en vigueur.
- **Avant d'effectuer toute intervention**, lire attentivement le manuel et s'assurer d'en avoir bien compris le contenu.
- **Si la machine est employée** (individuellement) par plusieurs utilisateurs, il faut absolument que chaque utilisateur connaisse en détail le mode d'emploi.
- **Le Constructeur** se réserve le droit de modifier ou bien d'effectuer des améliorations de la machine sans préavis.
- **En cas d'exigences spéciales**, s'adresser au Distributeur ou à l'Importateur (si présent) de son pays ou bien au Constructeur de la machine.
- **Tous les droits** de ce manuel sont strictement réservés à la Maison **LAVAZZA**. La reproduction ou la diffusion, même en partie, sans autorisation écrite, sont interdites.

TABLE DES MATIÈRES

1 - COMPOSITION DE LA MACHINE	3 1	12 - EMPLOI DE LA MACHINE	3 6
2 - REMARQUES À CONSULTER	3 2	12.1 États de la machine	36
2.1 Abréviations	32	12.2 Description des commandes	37
2.2 Symboles utilisés	32	12.3 Fonctions programmables du menu	39
3 - UTILISATEUR	3 2	12.4 Structure du menu de programmation	39
4 - TECHNICIEN D'ENTRETIEN	3 2	12.5 Description des fonctions	40
5 - UTILISATION PRÉVUE DE LA MACHINE	3 2	12.6 Structure du menu de service	45
6 - AVERTISSEMENTS ET PRÉCAUTIONS	3 3	12.7 Messages affichés	49
7 - PRÉCAUTIONS GÉNÉRALES	3 3	12.8 Mise hors circuit de la machine	49
8 - INFORMATIONS SUR LA MACHINE	3 3	13 - ENTRETIEN DE ROUTINE	5 0
8.1 Données d'identification	33	13.1 Nettoyage de la machine	50
8.2 Caractéristiques techniques	33	13.1.1 Distributeur de café (Fig. 12)	50
8.3 Dimensions d'encombrement	33	13.1.2 Bac et grille égouttoir	50
8.4 Groupe de distribution de café	34	13.1.3 Bac à capsules	50
8.5 Groupe Cappuccinatore	34	13.1.4 Tuyaux de distribution de vapeur et d'eau chaude	50
9 - DISPOSITIFS DE SÉCURITÉ	3 4	13.1.5 Plaque chauffe-tasses	50
9.1 Risques résiduels	34	13.1.6 Groupe de distribution	50
10 - INSTALLATION	3 5	13.1.7 Trémie d'éjection capsule	50
10.1 Remarques sur l'emplacement	35	13.1.8 Nettoyage du cappuccinatore	51
10.2 Mise en place de l'appareil	35	13.1.9 Régénération adoucisseur	53
10.3 Branchement de l'eau	35	14 - ENTRETIEN CURATIF	5 4
10.4 Raccordement électrique	36	14.1 Groupe de distribution	54
10.5 Connexion du port série	36	15 - INSTRUCTIONS POUR LE TRAITEMENT DE FIN DE VIE UTILE	5 5
11 - PREMIÈRE MISE EN CIRCUIT DE LA MACHINE	3 6	16 - INCONVÉNIENTS - PROBLÈMES ET SOLUTIONS	5 6

1 - COMPOSITION DE LA MACHINE

REMARQUE - Lorsqu'ils ne sont pas spécifiés dans le texte, les chiffres de position des parties de la machine font référence à cette figure.



F. 1

- | | | | |
|-----------|--|-----------|---|
| A | Plaque des données | 15 | Bac d'égouttement |
| B | Plaque des données de système | 16 | Bac à capsules |
| 1 | Panneau gauche | 17 | Protecteur en caoutchouc |
| 2 | Vitre | 18 | Bac à capsules |
| 3 | Panneau arrière | 19 | Tuyau de distribution de vapeur |
| 4 | Plaque chauffe-tasses | 20 | Volet |
| 5 | Robinet de distribution de la vapeur | 21 | Interrupteur général |
| | Dans le sens des aiguilles d'une montre : jet vapeur ouvert | | « I » - Fonctions électriques activées - Machine activée - |
| | Dans le sens inverse des aiguilles d'une montre : jet vapeur fermé | | Lampe voyant, lumineuse. |
| 6 | Tiroir d'introduction des capsules | | « O » - Fonctions électriques désactivées - Machine éteinte |
| 7 | Tableau de commande | | - Voyant de la touche « I », éteint. |
| 8 | Tiroir d'introduction des capsules | 22 | Groupe de distribution de café |
| 9 | Touche eau chaude | 23 | Couverture pour groupe de distribution |
| 10 | Panneau droit | 24 | Réglage crème lait |
| 11 | Volet | 25 | Réglage de la température |
| 12 | Protecteur en caoutchouc | 26 | Distributeur de lait |
| 13 | Tuyau de distribution de l'eau chaude | 27 | Groupe café |
| 14 | Pince bloque-tuyaux | 28 | Trémie d'éjection capsule |

2 - REMARQUES À CONSULTER

2.1 Abréviations

Fig.	=	Figure
P.	=	Page
Paragr.	=	Paragraphe
Tab.	=	Tableau

2.2 Symboles utilisés

ATTENTION !

Faire beaucoup d'attention à la signification des symboles : ils ont la fonction de ne pas répéter les concepts techniques ou les avertissements de sécurité ; il faut donc les utiliser comme des « rappels ». Consulter donc la liste des symboles en cas de doute à propos de leur signification.

	ATTENTION ! - Informations concernant la sécurité de l'utilisateur et l'intégrité de la machine.
	IMPORTANT ! - Attire l'attention sur un sujet particulièrement important.
	Technicien préposé à l'entretien - Opérations relevant exclusivement du personnel préposé à l'entretien curatif et aux réparations.
	Machine éteinte - Opérations à effectuer avec l'alimentation électrique coupée.
	Utilisateur - Opérations relevant des compétences de l'utilisateur de la machine.

3 - UTILISATEUR



Personne adulte possédant les compétences nécessaires pour effectuer les opérations suivantes :

- Gestion, contrôle et arrêt de la machine.
- Réglage des paramètres de distribution.
- Vidange des tiroirs à marc et des bacs à liquides.
- Nettoyage extérieur de la machine.



ATTENTION

L'utilisation de la machine *est interdite* aux enfants, aux mineurs et aux personnes non-autonomes.

4 - TECHNICIEN D'ENTRETIEN



Personne préposée aux opérations suivantes :

- Installation, mise en service, réglage et mise au point de la machine.
- Entretien curatif, réparations et remplacements des pièces de rechange.

5 - UTILISATION PRÉVUE DE LA MACHINE

Les machines présentées dans ce Manuel ont été conçues, réalisées et protégées pour la distribution automatique (programmable) :

- de boissons à base de café en capsules ;
- de boissons à base de lait et de café en capsules ;
- d'eau chaude et de vapeur d'eau pour la préparation et le chauffage de boissons ;
- de lait chaud.



IMPORTANT

Tout autre emploi des machines n'est pas prévu par le Constructeur, qui décline toute responsabilité en cas d'endommagements provoqués par une utilisation incorrecte des machines. L'utilisation incorrecte provoque l'annulation de toute forme de garantie.

6 - AVERTISSEMENTS ET PRÉCAUTIONS

Pour l'entretien de routine, ne pas utiliser de détergents, diluants, solvants, etc.

Le nettoyage concerne les composants hors tension électrique, s'effectue avec des produits neutres et biodégradables, toujours après avoir débranché la fiche de la prise de courant.

L'entretien de routine est à effectuer par le personnel préposé à cet effet ou par du personnel formé et muni des conditions psychophysiques nécessaires et dans le respect des instructions reportées ci-dessous, en conformité avec les Normes de Sécurité et de Santé en vigueur.

Afin d'assurer la sécurité des personnes et l'intégrité de la machine, il est absolument interdit de placer et/ou d'abandonner des outils ou toute autre objet dangereux sur la machine.

Toute modification ou altération, ainsi que l'utilisation de pièces de rechange non originales, exonèrent le Constructeur de toute responsabilité en cas d'endommagements et provoquent l'annulation de la garantie.

Utiliser seulement de l'eau potable.

NB : L'eau ne doit pas être chaude.

Il est essentiel d'alimenter la machine avec de l'eau traitée par un dispositif de détartrage, qui assure le respect des limites indiquées ci-dessus. Vérifier que le réseau distribue de l'eau potable avec une pression comprise entre 1 et 8 Bars.

7 - PRÉCAUTIONS GÉNÉRALES

- Avant d'utiliser la machine, s'assurer de ne pas avoir de doutes sur le contenu de ce manuel. La non-observation des normes reportées dans ce manuel exonère le Constructeur de toute responsabilité en cas de préjudice porté aux personnes et/ou aux objets.
- Garder ce manuel pour toute consultation future.
- En cas de nouvelle installation, vérifier préalablement si les normes minimales de sécurité, de positionnement et de fonctionnement de la machine ont été respectées ; vérifier également si les conditions environnementales (température, humidité, illumination) et l'adéquation des espaces opérationnels sont respectées.
- L'endommagement éventuel du câble d'alimentation électrique comporte l'intervention du Service d'Assistance Technique Autorisé ou du Technicien d'entretien.
- Ne pas utiliser la machine à l'extérieur.
- En cas de mauvais fonctionnement, s'adresser toujours au Technicien d'entretien.
- Il est interdit d'utiliser des jets d'eau pour le nettoyage.

8 - INFORMATIONS SUR LA MACHINE

8.1 Données d'identification

Sur la plaque (A) sont reportées les données d'identification de la machine :

- Constructeur et marquage
- modèle
- n° de matricule
- année de fabrication
- tension électrique d'alimentation (V) et fréquence (Hz)
- puissance électrique absorbée (W)
- numéro de phases de la ligne électrique
- pression admissible dans le réseau de distribution de l'eau (MPa)



IMPORTANT

Lors de la demande d'intervention auprès des Centres d'Assistance Agréés, fournir le modèle et le numéro de matricule.

8.2 Caractéristiques techniques

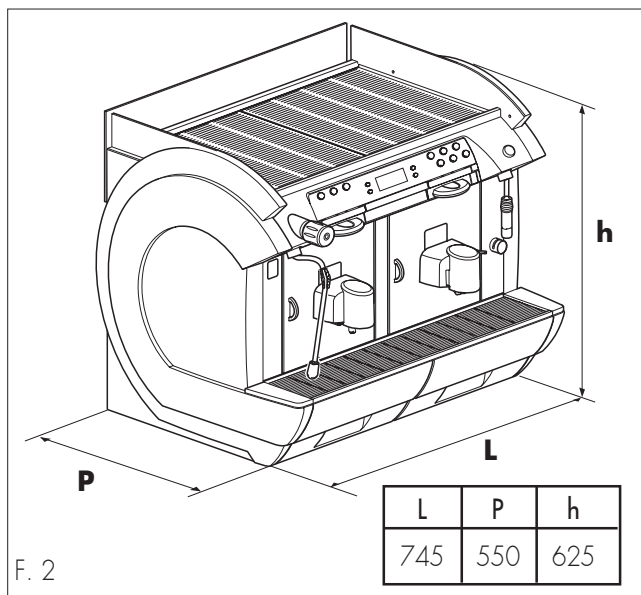
Tension d'alimentation	240V 60Hz
Longueur câble d'alimentation	1.700 mm
Puissance installée	5500 W
Pression hydraulique	MPa0,1 ÷ 0,8 (1 ÷ 8 bars)
Poids	66 kg



IMPORTANT

Les machines sont programmables pour les dosages de tout type de distribution. La plupart des composants électriques sont alimentés à 24 Vdc.

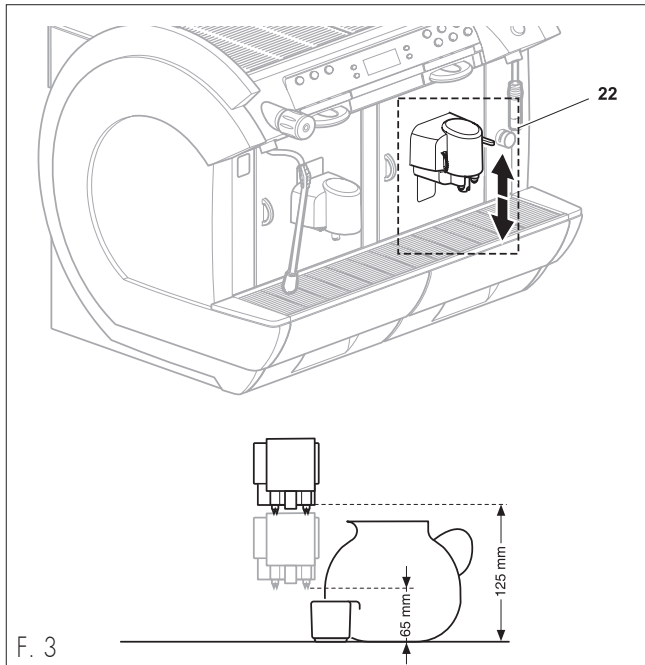
8.3 Dimensions d'encombrement



8.4 Groupe de distribution de café

La position de ce groupe (22) peut être modifiée en fonction de la hauteur du récipient utilisé.

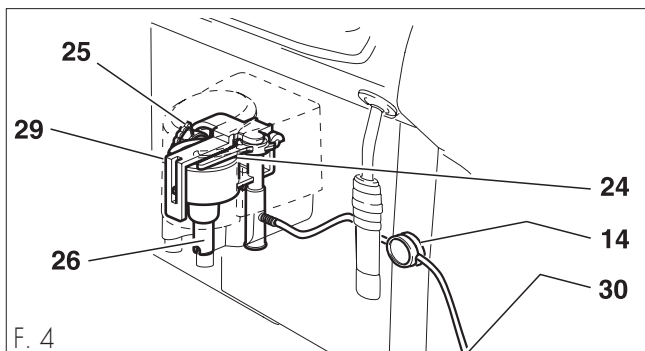
Il est possible de positionner le distributeur en haut ou en bas. On peut, ainsi, obtenir plusieurs hauteurs de distribution.



8.5 Groupe Cappuccinatore

Le groupe cappuccinatore se compose de :

- tuyau d'aspiration de lait (30) ;
- pince bloqué-tuyaux (14) ;
- cappuccinatore (29) ;
- réglage de la quantité de crème (24) ;
- réglage de la température (25) ;
- Distributeur de lait (26).



Le lait à employer avec le CAPPUCCINATORE doit être conservé au réfrigérateur à une température non supérieure à 4° C ; il ne doit pas rester hors du réfrigérateur pendant plus de 30 minutes.

9 - DISPOSITIFS DE SÉCURITÉ



IMPORTANT

Les machines présentées dans ce manuel ont été réalisées en conformité avec les Réglementations en vigueur et sont munies des protections correspondantes pour les parties éventuellement dangereuses.

En cas de surcroît de pression dans l'installation hydraulique préposée à la production de vapeur et d'eau chaude, trois vannes de sécurité sont interceptées.

Un thermostat empêche la surchauffe des chaudières.

La position du bac à capsules (16 et 18) et du volet (11 et 20) est contrôlée par 2 microinterrupteurs qui arrêtent la machine si un composant n'est pas correctement positionné (l'écran affiche le message du composant positionné incorrectement).

Un compteur d'impulsions électronique mémorise le nombre des distributions et permet la programmation de l'entretien de routine.

Les tuyaux de distribution de vapeur (19) et d'eau chaude (13) sont munis de protections spéciales en caoutchouc (12 et 17) pour pouvoir les saisir et les orienter même en cas de surchauffe.

9.1 Risques résiduels



Les caractéristiques de fabrication des machines présentées dans ce manuel ne permettent pas de protéger l'utilisateur contre le jet direct de vapeur ou d'eau chaude.

Danger de brûlures - Au cours de la distribution d'eau chaude et de vapeur, ne pas orienter les jets vers soi-même ou d'autres personnes. Le tuyau ne peut être saisi qu'au niveau des protections anti-brûlures correspondantes (12 et 17).



IMPORTANT

Utiliser exclusivement des récipients susceptibles de contenir des aliments et fabriqués avec des matériaux « pour aliments ».

10 - INSTALLATION



10.1 Remarques sur l'emplacement

La machine est à installer dans un endroit sec et sûr, avec :

- température ambiante : +10° C + 25° C
- humidité maxi : 65%.

10.2 Mise en place de l'appareil



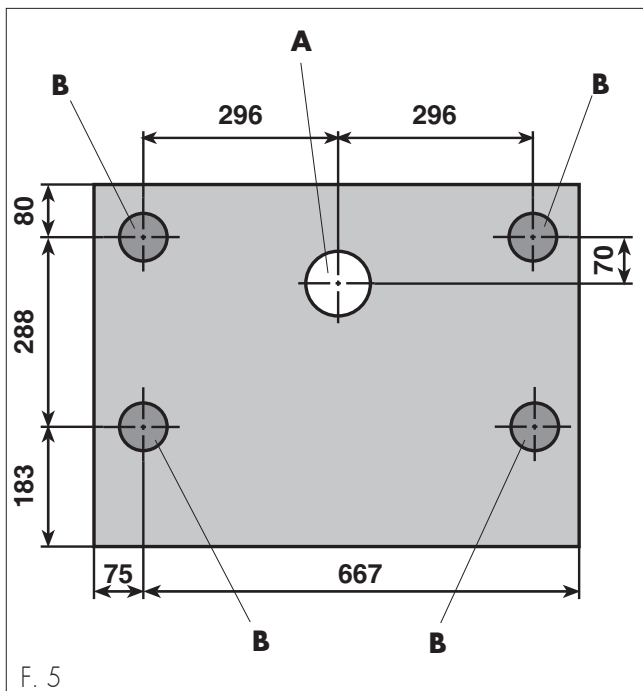
IMPORTANT

Vérifier si le plan préposé à l'installation de la machine présente des dimensions et une robustesse adaptées pour soutenir la machine en toute sécurité.

Faire un trou de Ø 100 mm (A - Fig. 5) sur le plan.

Positionner définitivement la machine sur le plan d'appui (les cercles B - Fig. 5 indiquent la position optimale des pieds réglables).

Niveler la machine au moyen des pieds réglables (F - Fig. 7).



F. 5



ATTENTION / IMPORTANT

Pour une utilisation ergonomique de la machine, on conseille d'installer l'appareil au-dessus d'une surface de travail située à une hauteur minimum de 1 m.

10.3 Branchement de l'eau



ATTENTION

Water and waste connections shall comply with applicable federal states, or local codes.



ATTENTION

La dureté de l'eau ne doit jamais être supérieure à 8°F.

Il est essentiel d'alimenter la machine avec de l'eau traitée par un dispositif de détartrage, qui assure le respect des limites indiquées ci-dessus. Vérifier que le réseau distribue de l'eau potable avec une pression comprise entre 1 et 8 Bars.

- Raccorder l'adoucisseur (C) au réseau de distribution d'eau (D).



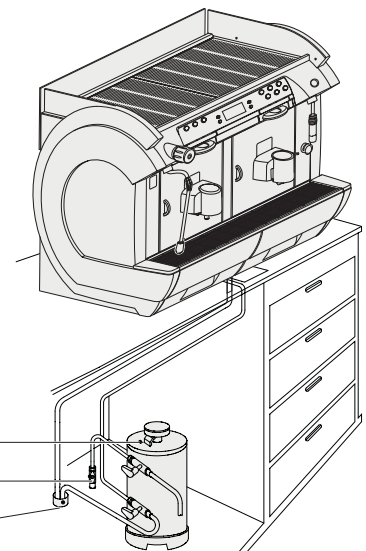
IMPORTANT

Avant de brancher l'adoucisseur d'eau à l'appareil, effectuer un lavage jusqu'à ce que l'eau soit limpide. Procéder ensuite au branchement de l'adoucisseur d'eau à l'appareil.

C - ADOUCISSEUR

D - RÉSEAU DE DISTRIBUTION D'EAU

E - CONDUITE DE VIDANGE

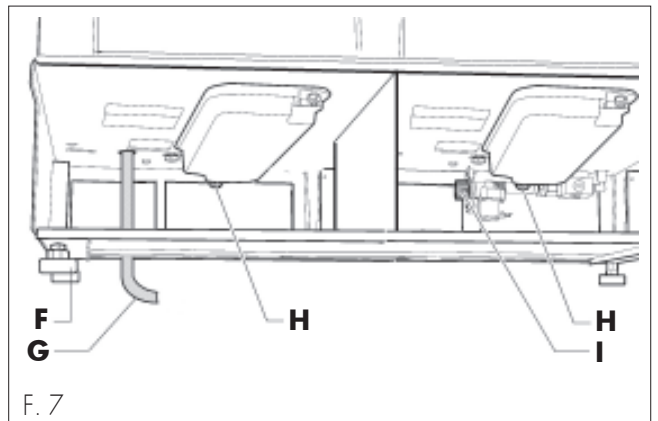


F. 6

Brancher un tuyau de vidange au raccord (H - Fig. 7) et le fixer à l'aide d'un collier à crémaillère.

Connecter (avec un tuyau et des raccords réalisés avec des matériaux « pour aliments ») la machine au réseau de distribution d'eau potable au moyen du raccord (I - Fig. 7).

Insérer les tuyaux de vidange et de remplissage dans le trou A.



F. 7

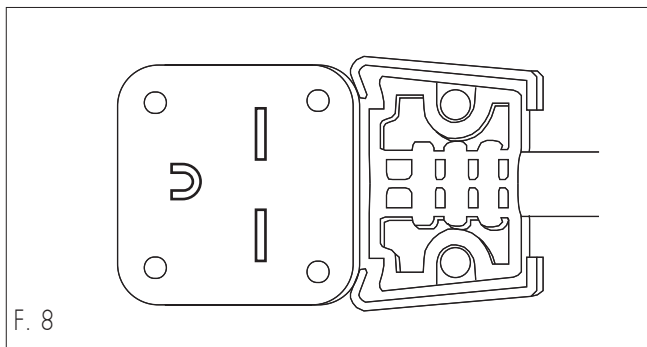
10.4 Raccordement électrique



IMPORTANT

La machine doit être raccordée à un système phasé mono 240 V 60Hz.

Insérer le câble d'alimentation électrique (**G**-Fig. 7) dans le trou **A** (Fig. 5).



D'après les normes en vigueur dans votre Pays, le câble de connexion à la ligne électrique doit être doté d'un interrupteur omnipolaire (avec ouverture minimum des contacts de **3mm**).

- L'interrupteur omnipolaire doit être adapté à l'absorption de la machine et en mesure de détecter toutes les polarités de la tension.
- Vérifier si les câbles électriques de l'installation sont proportionnés à l'absorption de la machine.

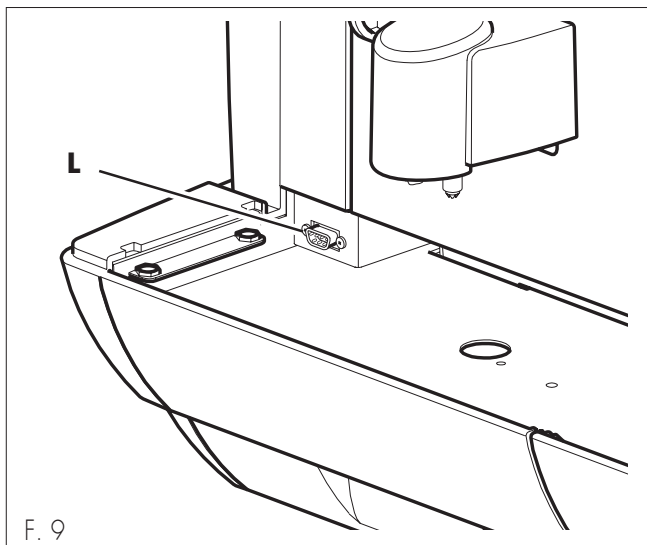
Le point de connexion (prise électrique ou interrupteur omnipolaire) doit être positionné dans un endroit aisément accessible par l'utilisateur, afin de déconnecter la machine de la ligne électrique, en cas de nécessité.



Connecter le câble (**G**-Fig. 7) à la ligne d'alimentation électrique.

10.5 Connexion du port série

Au moyen du port série RS 232, il est possible de connecter la machine au PC ou à des appareils des CENTRES D'ASSISTANCE AGRÉÉS, afin d'effectuer des opérations de programmation (**L**-Fig. 9).



11 - PREMIÈRE MISE EN CIRCUIT DE LA MACHINE



Vérifier si les composants amovibles (**15**, **16** et **18**) sont présents et si les volets (**11** et **20**) sont fermés.

En cas contraire, lors de la mise en circuit de la machine, l'afficheur montrera l'indication de la partie qui n'est pas en place.

- Allumer la machine par l'interrupteur (**21**) ;
- Ouvrir le tiroir d'introduction des capsules (**6** et **8**) ;
- Introduire la capsule dans le logement prévu à cet effet, comme indiqué par la Fig. 11 ;
- Positionner le distributeur (**22**) de sorte à ce que sa hauteur soit adaptée aux récipients employés (paragr. 8.4) ;
- Positionner un récipient sous le distributeur ;
- Appuyer sur la touche correspondant au type de boisson choisie.



IMPORTANT

Même si toutes les touches ont déjà été programmées par défaut, il faut vérifier si la dose de la boisson distribuée correspond aux caractéristiques souhaitées. Dans le cas contraire, il faut procéder à la programmation des touches de distribution (paragr. 12.6)

12 - EMPLOI DE LA MACHINE



ATTENTION

Avant d'utiliser la machine, il faut lire attentivement cette publication et acquérir une bonne connaissance générale de la machine.



IMPORTANT

Après une période de non-utilisation de la machine, relire la section précédente « Première mise en circuit de la machine », avant de l'utiliser à nouveau.

12.1 États de la machine

En ce qui concerne l'alimentation électrique de la machine, cette dernière peut être :

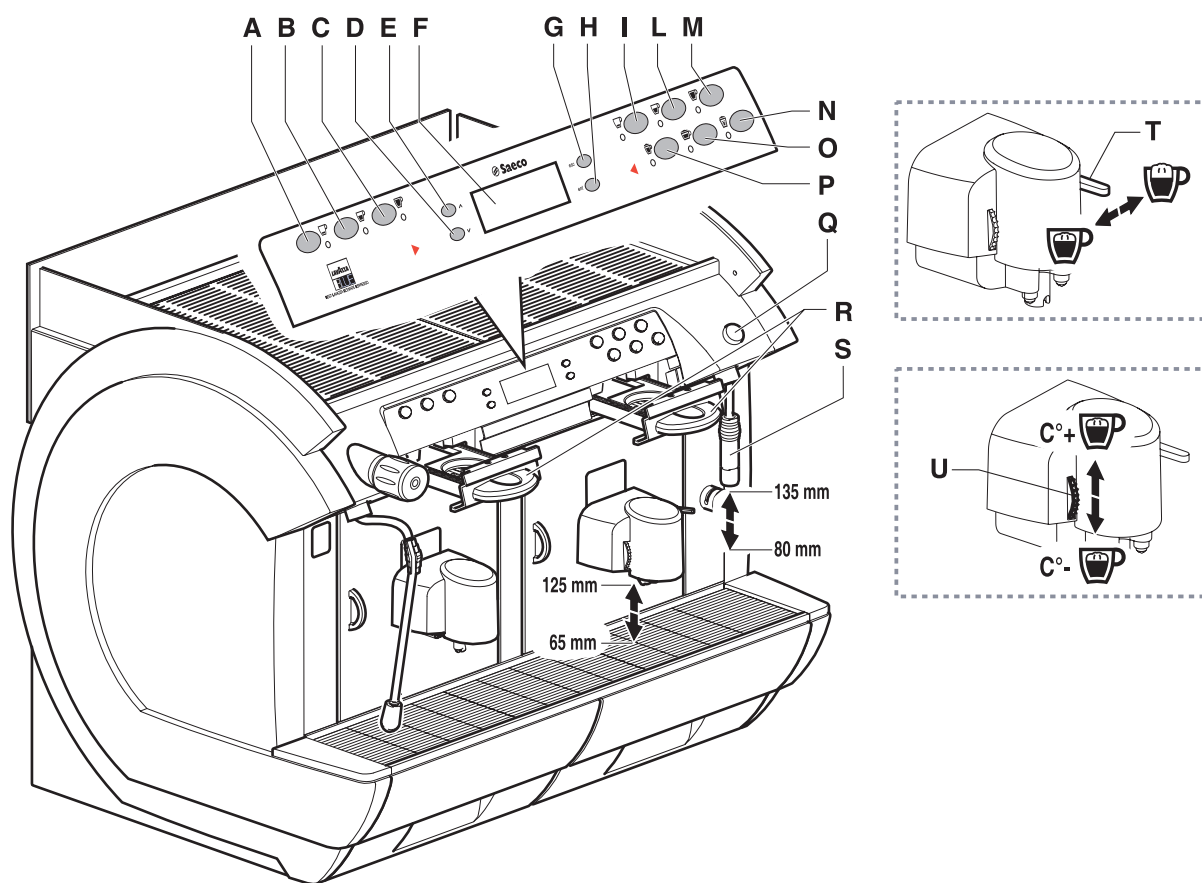
Hors circuit et isolée électriquement

- Interrupteur général (**21**) en position « **0** » (ou fiche débranchée).
- Seule la mémoire de conservation des données programmées est active.

En marche

- Interrupteur général (**21**) (ou fiche branchée).
- Toutes les fonctions sont actives et l'afficheur est allumé.








12.2 Description des commandes



F. 10

- | | | |
|-----------------------------------|-----------------------------------|--|
| A Touche « Café expresso » | H Touche « Ent » | Q Touche « Eau chaude » |
| B Touche « Café moyen » | I Touche « Café expresso » | R Tiroir d'introduction des capsules |
| C Touche « Café allongé » | L Touche « Café moyen » | S Tuyau de distribution de l'eau chaude |
| D Touche « Down » | M Touche « Café allongé » | T Réglage crème lait |
| E Touche « Up » | N Touche « Lait chaud » | U Réglage température lait |
| F Afficheur | O Touche « Cappuccino » | |
| G Touche « Esc » | P Touche « Café crème » | |



CAFÉ	
expresso  A, I moyen  B, L allongé  C, M	<ul style="list-style-type: none"> • Les définitions : « Café expresso » - « Café moyen » - « Café allongé » indiquent les trois niveaux de distribution. • Lors de la livraison, les machines sont programmées par défaut. (**)
CAFÉ CRÈME	
 P	<ul style="list-style-type: none"> • Boisson composée de café à laquelle on ajoute une petite dose de lait chaud. (*), (**), (***)
CAPPUCCINO	
 O	<ul style="list-style-type: none"> • Boisson composée de café et de lait chaud. (*), (**), (***)
LAIT CHAUD	
 N	<ul style="list-style-type: none"> • Boisson composée uniquement de lait. (*), (***)
EAU CHAUDE	
 Q	<ul style="list-style-type: none"> • Distribution obtenue en utilisant de l'eau.

(*)
Réglage crème lait

La quantité de crème dans les boissons est déterminée par l'actionnement du levier de réglage **(T)**.

- En tournant le levier vers la droite, on obtient une quantité plus importante de crème.
- En tournant le levier vers la gauche, on obtient une quantité moins importante de crème.

Réglage de la température lait

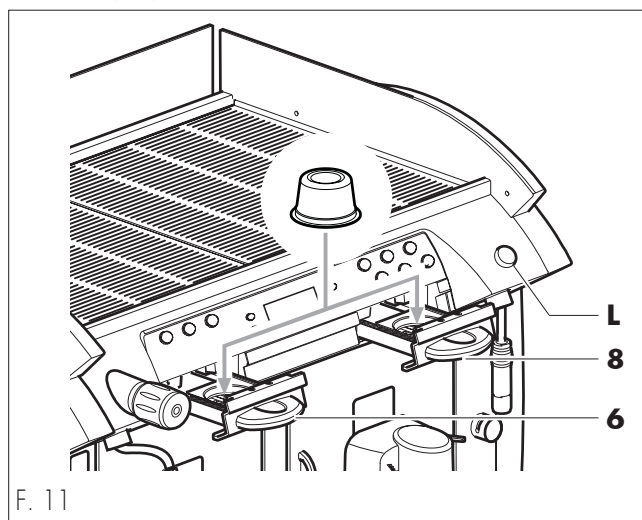
La température du lait est déterminée par l'actionnement du levier de réglage **(U)**.

- Tourner le levier vers le haut pour augmenter la température.
- Tourner le levier vers le bas pour réduire la température.

(**)

Introduction des capsules

- Ouvrir le tiroir d'introduction des capsules **(6 et 8)**.
- Introduire la capsule dans le logement prévu à cet effet, comme indiqué par la Fig. 11.



(***)

N.B. : Les touches ,  et  peuvent être réglées de façon à distribuer toutes les boissons à base de lait et de café. Pour changer les réglages par défaut, s'adresser à un centre d'assistance agréé.

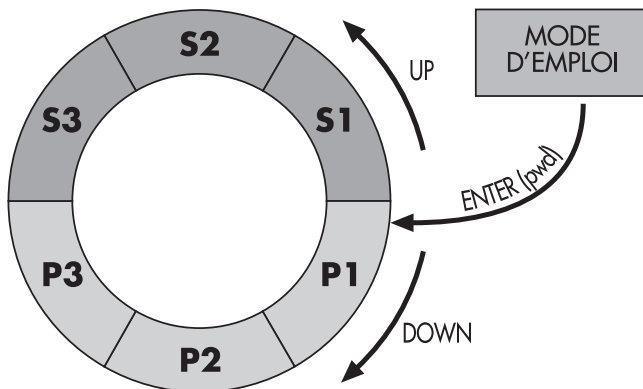
12.3 Fonctions programmables du menu



IMPORTANT

Au moyen de la programmation du menu, la machine permet d'effectuer les réglages qui peuvent adapter le produit distribué aux exigences de l'utilisateur.

Pour faciliter l'accès au menu de programmation, consulter la figure suivante:



ent	(Enter)	accéder au menu de programmation (l'écran affiche : « MOT DE PASSE ») ; passer d'un niveau du menu au niveau suivant ; préparer une donnée à modifier ; confirmer une donnée ou une fonction ;
esc	(Escape)	annuler les modifications non confirmées ; retourner au niveau précédent du menu jusqu'à la sortie de celui-ci.
▼	(Down)	passer à l'article suivant à l'intérieur du même niveau de programmation ; incrémenter la valeur d'une donnée à modifier.
▲	(Up)	passer à l'article précédent à l'intérieur du même niveau de programmation ; réduire la valeur de la donnée à modifier.

Certaines fonctions permettent de programmer une ou plusieurs données (déjà programmées sur des valeurs par défaut).

Pour modifier les valeurs des données à reprogrammer, il faut :

- Sélectionner la fonction.
- Confirmer la fonction par la touche « **ENT** » (Enter).
- Le curseur clignotant se positionne sous la valeur à modifier.
- Activer les touches « **▲** » (Up) ou « **▼** » (Down), afin de changer la valeur.
- Confirmer la donnée modifiée par la touche « **ENT** » (Enter).

12.4 Structure du menu de programmation



IMPORTANT

Les articles du menu marqués du symbole * sont visibles (et, donc, modifiables) en programmation uniquement avec le « M. de passe techn. ».

p1. Produits

p1.1. Global.....	92
p1.1.1. Auto-program.	92
p1.1.2. Préinfusion	92
p1.1.3. Évac. condensation.....	92
p1.1.4. Nettoyage final	92
p1.2. Détails.....	93
p1.2.1. Produits gauche	93
p1.2.2. Produits droite	94-95
p1.2.3. Eau chaude	95

p2. Système

p2.1. Température	95
p2.1.1. Variat. température.....	95
p2.1.2. Températ. chaudière*	
p2.2. Sécurité	96
p2.2.1. M. de passe opérat.	96
p2.2.2. M. de passe techn.*	
p2.3. Options	96
p2.3.1. Chauffe-tasses	96
p2.3.2. Anti-congélation*	
p2.3.3. Unité de mesure*	
p2.3.4. Buzzer*	
p2.4. Horloge	96
p2.4.1. Date	96
p2.4.2. Format date	96
p2.4.3. Horaire.....	96
p2.4.4. Format horaire	96

p3. Remise à zéro usine . *

s1. Assistance

s1.1. Détartrage	97
s1.1.1. Dernier détart.	97
s1.1.2. Q.té restante	97
s1.1.3. Limite du filtre	97
s1.1.4. Reset filter.	97
s1.1.5. Activation filtre.	97
s1.2. Drillers	97
s1.2.1. Warning enabled	97
s1.2.2. Left driller state	97
s1.2.3. Right driller state	97
s1.3. Test mode *	
s1.3.1. Master test *	
s1.3.2. Left coffee test *	
s1.3.3. Right Left coffee test *	
s1.3.4. Water/Steam test *	

s2. Info

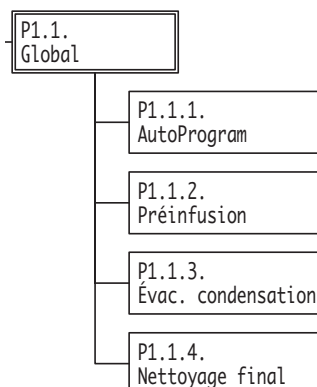
s2.1. Identification	99
s2.1.1. Version logiciel.....	99
s2.1.2. Code machine	99
s2.2. Error log	99
s2.2.1. Erreurs	99
s2.2.2. Reset Log *	
s2.3. Audit.....	100
s2.3.1. Compteurs d'init.....	100
s2.3.2. Compteurs de r. à z.	100
s2.3.3. Reset Audit	100

s3. Install/Désinstall

s3.1. Installation *	
s3.1.1. Langue *	
s3.1.2. Code machine *	
s3.1.3. Contraste affich. *	
s3.2. Désinstallation *	
s3.2.1. Vidange chaudière *	

12.5 Description des fonctions

p1. Produits
 p1.1. Global
p1.1.1. Autoprogram.
p1.1.2. Préinfusion
p1.1.3. Évac. condensation
p1.1.4. Nettoyage final
 p1.2. Détails
 p1.2.1. Produits gauche
 p1.2.2. Produits droite
 p1.2.3. Eau chaude
 p2. Système
 p2.1. Température
 p2.1.1. Variat. température
 p2.1.2. Températ. chaudière
 p2.2. Sécurité
 p2.2.1. M. de passe opérat.
 p2.2.2. M. de passe techn.
 p2.3. Options
 p2.3.1. Chauffetasses
 p2.3.2. Anti-congélation
 p2.3.3. Unité de mesure
 p2.3.4. Buzzer
 p2.4. Horloge
 p2.4.1. Date
 p2.4.2. Format date
 p2.4.3. Horaire
 p2.4.4. Format horaire
 p3. Remise à zéro usine
 s1. Assistance
 s1.1. Détartrage
 s1.1.1. Dernier détartr.
 s1.1.2. Q.té restante
 s1.1.3. Limite du filtre
 s1.1.4. Reset filter
 s1.1.5. Activation filtre
 s1.2. Drillers
 s1.2.1. Warning enabled
 s1.2.2. Left driller state
 s1.2.3. Right driller state
 s1.3. Test mode
 s1.3.1. Master test
 s1.3.2. Left coffee test
 s1.3.3. Right coffee test
 s1.3.4. Water/Steam test
 s2. Info
 s2.1. Identification
 s2.1.1. Version logiciel
 s2.1.2. Code machine
 s2.2. Error log
 s2.2.1. Erreurs
 s2.2.2. Reset Log
 s2.3. Audit
 s2.3.1. Compteurs d'init
 s2.3.2. Compteurs de r. à z.
 s2.3.3. Reset Audit
 s3. Install/Désinstall
 s3.1. Installation
 s3.1.1. Langue
 s3.1.2. Code machine
 s3.1.3. Contraste affich.
 s3.2. Désinstallation
 s3.2.1. Vidange chaudière



P1.1 GLOBAL

P1.1.1 Auto-program.

Cette fonction permet de programmer la dose de la boisson. Pour effectuer la programmation de la dose, appuyer sur la touche « ENT » et accéder à l'article du menu « P.1.1.1.1 AUTO-PROG. EN COURS » :

- pour programmer les touches ☕, ☕ et ☕, appuyer sur la touche choisie pour commencer la programmation ; appuyer à nouveau sur cette touche pour mémoriser la dose désirée.
- pour programmer les touches ☕, ☕ et ☕, appuyer sur la touche choisie pour commencer la programmation du produit ; appuyer à nouveau sur cette touche pour mémoriser la dose de café désirée ; appuyer encore sur cette touche pour mémoriser la dose de lait désirée.

La programmation terminée, les valeurs mémorisées seront affichées à l'écran.

P1.1.2 Préinfusion

Cette fonction permet d'effectuer une petite pause pendant la première phase de distribution. Ce procédé peut améliorer la qualité du café qui, pendant la pause, « se mêle » avec la première partie d'eau fournie.

La pause peut être configurée avec des valeurs croissantes : 0, +, ++, +++.

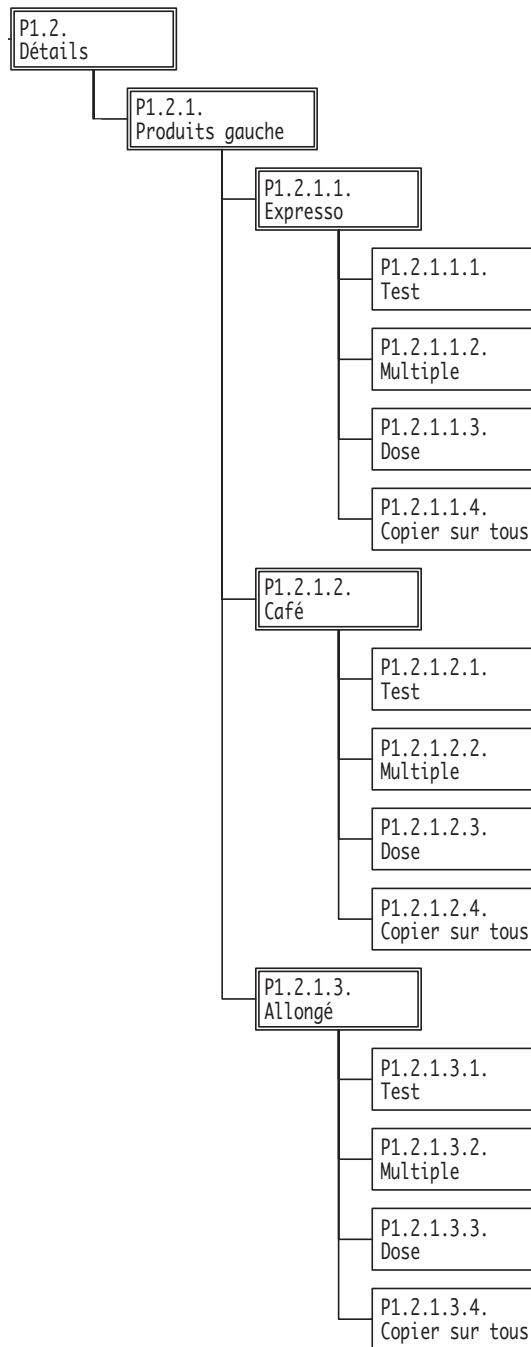
P1.1.3 Évac. condensation

Cette fonction montre le temps d'ouverture de l'électrovanne, qui évacue la condensation formée dans le tuyau qui mène la vapeur au cappuccinatore. Réglable entre 0 et 8 secondes.

P1.1.4 Nettoyage final

Cette fonction montre la durée du lavage à la vapeur, qui est effectué à la fin de chaque distribution de lait. Réglable entre 0 et 8 secondes.

- p1. Produits
 - p1.1. Global
 - p1.1.1. Autoprogram.
 - p1.1.2. Préinfusion
 - p1.1.3. Évac. condensation
 - p1.1.4. Nettoyage final
 - p1.2. Détails
 - p1.2.1. Produits gauche**
 - p1.2.2. Produits droite
 - p1.2.3. Eau chaude
 - p2. Système
 - p2.1. Température
 - p2.1.1. Variat. température
 - p2.1.2. Températ. chaudière
 - p2.2. Sécurité
 - p2.2.1. M. de passe opérat.
 - p2.2.2. M. de passe techn.
 - p2.3. Options
 - p2.3.1. Chauffe-tasses
 - p2.3.2. Anti-congélation
 - p2.3.3. Unité de mesure
 - p2.3.4. Buzzer
 - p2.4. Horloge
 - p2.4.1. Date
 - p2.4.2. Format date
 - p2.4.3. Horaire
 - p2.4.4. Format horaire
 - p3. Remise à zéro usine
 - s1. Assistance
 - s1.1. Détartrage
 - s1.1.1. Dernier détartr.
 - s1.1.2. Q.té restante
 - s1.1.3. Limite du filtre
 - s1.1.4. Reset filter
 - s1.1.5. Activation filtre
 - s1.2. Drillers
 - s1.2.1. Warning enabled
 - s1.2.2. Left driller state
 - s1.2.3. Right driller state
 - s1.3. Test mode
 - s1.3.1. Master test
 - s1.3.2. Left coffee test
 - s1.3.3. Right coffee test
 - s1.3.4. Water/Steam test
 - s2. Info
 - s2.1. Identification
 - s2.1.1. Version logiciel
 - s2.1.2. Code machine
 - s2.2. Error log
 - s2.2.1. Erreurs
 - s2.2.2. Reset Log
 - s2.3. Audit
 - s2.3.1. Compteurs d'init
 - s2.3.2. Compteurs de r. à z.
 - s2.3.3. Reset Audit
 - s3. Install/Désinstall
 - s3.1. Installation
 - s3.1.1. Langue
 - s3.1.2. Code machine
 - s3.1.3. Contraste affich.
 - s3.2. Désinstallation
 - s3.2.1. Vidange chaudière



P1.2 DÉTAILS

P1.2.1 Produits gauche

Permet de configurer les paramètres des boissons du côté gauche de la machine :

P1.2.1.1. Espresso

Le produit complet est affiché ; en appuyant sur Enter, il est possible de choisir/configurer les paramètres :

Test : permet de distribuer le produit.

Multiple : permet de valider ou d'invalider la double dose.

Dose : permet d'établir la quantité d'eau de la boisson.

Copier sur tous : permet de configurer automatiquement l'ESPRESSO du côté droit de la machine comme celui du côté gauche.

P1.2.1.2. Café

Le produit complet est affiché ; en appuyant sur Enter, il est possible de choisir/configurer les paramètres :

Test : permet de distribuer le produit.

Multiple : permet de valider ou d'invalider la double dose.

Dose : permet d'établir la quantité d'eau de la boisson.

Copier sur tous : permet de configurer automatiquement le CAFÉ du côté droit de la machine comme celui du côté gauche.

P1.2.1.3. Allongé

Le produit complet est affiché ; en appuyant sur Enter, il est possible de choisir/configurer les paramètres :

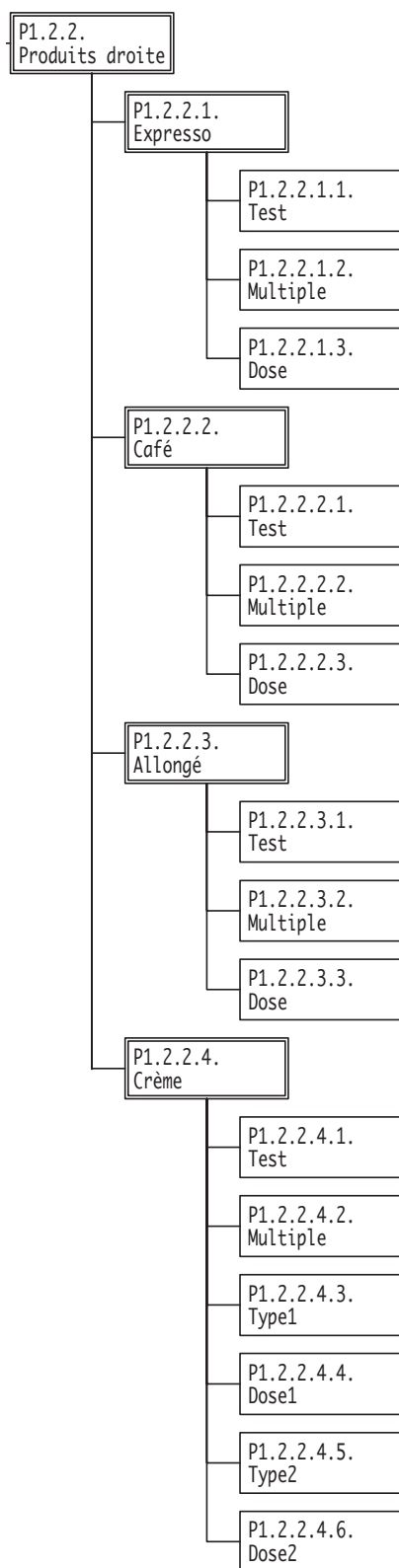
Test : permet de distribuer le produit.

Multiple : permet de valider ou d'invalider la double dose.

Dose : permet d'établir la quantité d'eau de la boisson.

Copier sur tous : permet de configurer automatiquement ALLONGÉ du côté droit de la machine comme celui du côté gauche.

- p1. Produits
 - p1.1. Global
 - p1.1.1. Autoprogram.
 - p1.1.2. Préinfusion
 - p1.1.3. Évac. condensation
 - p1.1.4. Nettoyage final
 - p1.2. Détails
 - p1.2.1. Produits gauche
 - p1.2.2. Produits droite**
 - p1.2.3. Eau chaude
- p2. Système
 - p2.1. Température
 - p2.1.1. Variat. température
 - p2.1.2. Températ. chaudière
 - p2.2. Sécurité
 - p2.2.1. M. de passe opérat.
 - p2.2.2. M. de passe techn.
 - p2.3. Options
 - p2.3.1. Chauffe-tasses
 - p2.3.2. Anti-congélation
 - p2.3.3. Unité de mesure
 - p2.3.4. Buzzer
 - p2.4. Horloge
 - p2.4.1. Date
 - p2.4.2. Format date
 - p2.4.3. Horaire
 - p2.4.4. Format horaire
- p3. Remise à zéro usine
 - s1. Assistance
 - s1.1. Détritage
 - s1.1.1. Dernier détartr.
 - s1.1.2. Q.té restante
 - s1.1.3. Limite du filtre
 - s1.1.4. Reset filter
 - s1.1.5. Activation filtre
 - s1.2. Drillers
 - s1.2.1. Warning enabled
 - s1.2.2. Left driller state
 - s1.2.3. Right driller state
 - s1.3. Test mode
 - s1.3.1. Master test
 - s1.3.2. Left coffee test
 - s1.3.3. Right coffee test
 - s1.3.4. Water/Steam test
 - s2. Info
 - s2.1. Identification
 - s2.1.1. Version logiciel
 - s2.1.2. Code machine
 - s2.2. Error log
 - s2.2.1. Erreurs
 - s2.2.2. Reset Log
 - s2.3. Audit
 - s2.3.1. Compteurs d'init
 - s2.3.2. Compteurs de r. à z.
 - s2.3.3. Reset Audit
 - s3. Install/Désinstall
 - s3.1. Installation
 - s3.1.1. Langue
 - s3.1.2. Code machine
 - s3.1.3. Contraste affich.
 - s3.2. Désinstallation
 - s3.2.1. Vidange chaudière



P1.2.2 Produits droite

Permet de configurer les paramètres des boissons du côté droit de la machine :

P1.2.2.1. Espresso

Le produit complet est affiché ; en appuyant sur Enter, il est possible de choisir/configurer les paramètres :

Test : permet de distribuer le produit.

Multiple : permet de valider ou d'invalider la double dose.

Dose : permet d'établir la quantité d'eau de la boisson.

P1.2.2.2. Café

Le produit complet est affiché ; en appuyant sur Enter, il est possible de choisir/configurer les paramètres :

Test : permet de distribuer le produit.

Multiple : permet de valider ou d'invalider la double dose.

Dose : permet d'établir la quantité d'eau de la boisson.

P1.2.2.3. Allongé

Le produit complet est affiché ; en appuyant sur Enter, il est possible de choisir/configurer les paramètres :

Test : permet de distribuer le produit.

Multiple : permet de valider ou d'invalider la double dose.

Dose : permet d'établir la quantité d'eau de la boisson.



Les touches ,  et  peuvent être réglées de façon à distribuer toutes les boissons à base de lait et de café.

P1.2.2.4. Crème

Le produit complet est affiché ; en appuyant sur Enter, il est possible de choisir/configurer les paramètres :

Test : permet de distribuer le produit.

Multiple : permet de valider ou d'invalider la double dose.

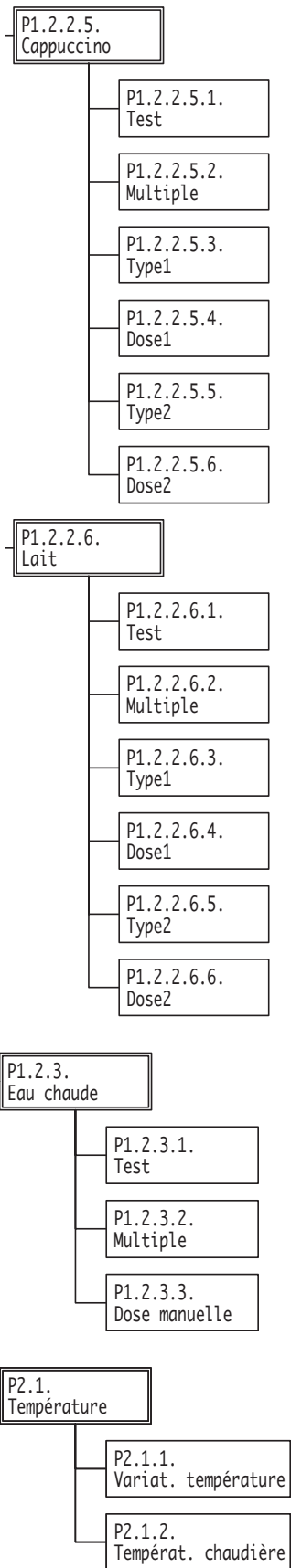
Type 1 : permet de sélectionner le produit 1 (CAFÉ).

Dose 1 : permet d'établir la quantité d'eau du produit 1.

Type 2 : permet de sélectionner le produit 2 (LAIT).

Dose 2 : permet de configurer le temps de distribution du produit 2.

- p1. Produits
 - p1.1. Global
 - p1.1.1. Autoprogram.
 - p1.1.2. Préinfusion
 - p1.1.3. Évac. condensation
 - p1.1.4. Nettoyage final
 - p1.2. Détails
 - p1.2.1. Produits gauche
 - p1.2.2. Produits droite**
 - p1.2.3. Eau chaude**
- p2. Système
 - p2.1. Température**
 - p2.1.1. Variat. température**
 - p2.1.2. Températ. chaudière**
 - p2.2. Sécurité
 - p2.2.1. M. de passe opérat.
 - p2.2.2. M. de passe techn.
 - p2.3. Options
 - p2.3.1. Chauffetasses
 - p2.3.2. Anti-congélation
 - p2.3.3. Unité de mesure
 - p2.3.4. Buzzer
 - p2.4. Horloge
 - p2.4.1. Date
 - p2.4.2. Format date
 - p2.4.3. Horaire
 - p2.4.4. Format horaire
- p3. Remise à zéro usine
 - s1. Assistance
 - s1.1. Détartrage
 - s1.1.1. Dernier détartr.
 - s1.1.2. Q.té restante
 - s1.1.3. Limite du filtre
 - s1.1.4. Reset filter
 - s1.1.5. Activation filtre
 - s1.2. Drillers
 - s1.2.1. Warning enabled
 - s1.2.2. Left driller state
 - s1.2.3. Right driller state
 - s1.3. Test mode
 - s1.3.1. Master test
 - s1.3.2. Left coffee test
 - s1.3.3. Right coffee test
 - s1.3.4. Water/Steam test
 - s2. Info
 - s2.1. Identification
 - s2.1.1. Version logiciel
 - s2.1.2. Code machine
 - s2.2. Error log
 - s2.2.1. Erreurs
 - s2.2.2. Reset Log
 - s2.3. Audit
 - s2.3.1. Compteurs d'init
 - s2.3.2. Compteurs de r. à z.
 - s2.3.3. Reset Audit
 - s3. Install/Désinstall
 - s3.1. Installation
 - s3.1.1. Langue
 - s3.1.2. Code machine
 - s3.1.3. Contraste affich.
 - s3.2. Désinstallation
 - s3.2.1. Vidange chaudière



P1.2.2.5. Cappuccino

Le produit complet est affiché ; en appuyant sur Enter, il est possible de choisir/configurer les paramètres :

Test : permet de distribuer le produit.

Multiple : permet de valider ou d'invalider la double dose.

Type 1 : permet de sélectionner le produit 1 (LAIT).

Dose 1 : permet de configurer le temps de distribution du produit 1.

Type 2 : permet de sélectionner le produit 2 (CAFÉ).

Dose 2 : permet d'établir la quantité d'eau du produit 2.

P1.2.2.6. Lait

Le produit complet est affiché ; en appuyant sur Enter, il est possible de choisir/configurer les paramètres :

Test : permet de distribuer le produit.

Multiple : permet de valider ou d'invalider la double dose.

Type 1 : permet de sélectionner le produit 1 (LAIT).

Dose 1 : permet de configurer le temps de distribution du produit 1.

Type 2 : -

Dose 2 : -

P1.2.3 Eau chaude

Permet de configurer les paramètres de l'eau chaude. Il est possible de choisir/configurer les paramètres :

Test : permet de distribuer l'eau chaude.

Multiple : permette de valider ou d'invalider la possibilité d'effectuer huit distributions au maximum. Fonction non implémentée.

Dose manuelle : permet d'établir la quantité d'eau à distribuer lors de chaque sélection.

P2.1 TEMPÉRATURE

Pour chaque distribution de café, il est possible de modifier la température de l'eau utilisée en phase de distribution et programmée lors de l'installation.

P2.1.1. Variat. température

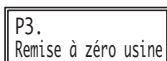
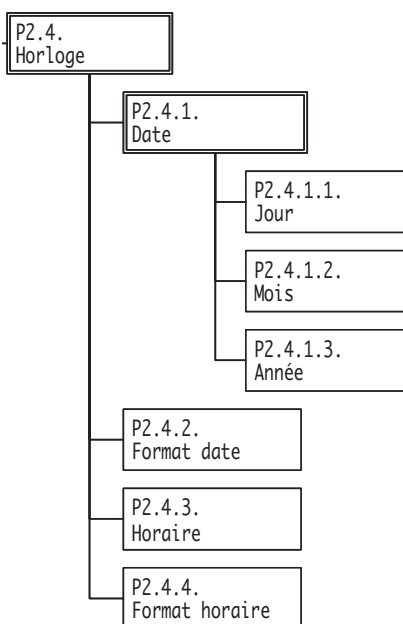
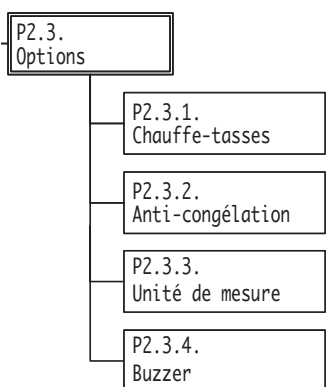
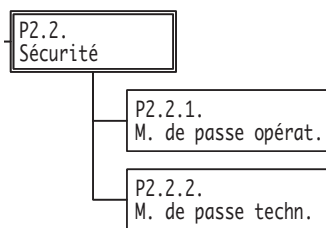
permet d'établir la variation de température pour les deux groupes ; de fait, le setup est la température présélectionnée et la variation peut se faire en appuyant sur « + » et « - » :

- en appuyant sur « + », cette température est augmentée.

- en appuyant sur « - », cette température est réduite.

P2.1.2. Températ. chaudière (seulement tech.)

- p1. Produits
 - p1.1. Global
 - p1.1.1. Autoprogram.
 - p1.1.2. Préinfusion
 - p1.1.3. Évac. condensation
 - p1.1.4. Nettoyage final
 - p1.2. Détails
 - p1.2.1. Produits gauche
 - p1.2.2. Produits droite
 - p1.2.3. Eau chaude
- p2. Système
 - p2.1. Température
 - p2.1.1. Variat. température
 - p2.1.2. Températ. chaudière
 - p2.2. Sécurité**
 - p2.2.1. M. de passe opérat.**
 - p2.2.2. M. de passe techn.**
 - p2.3. Options**
 - p2.3.1. Chauffe-tasses**
 - p2.3.2. Anti-congélation**
 - p2.3.3. Unité de mesure**
 - p2.3.4. Buzzer**
 - p2.4. Horloge**
 - p2.4.1. Date**
 - p2.4.1.1. Jour**
 - p2.4.1.2. Mois**
 - p2.4.1.3. Année**
 - p2.4.2. Format date**
 - p2.4.3. Horaire**
 - p2.4.4. Format horaire**
- p3. Remise à zéro usine
 - s1. Assistance
 - s1.1. Détartrage
 - s1.1.1. Dernier détartr.
 - s1.1.2. Q.té restante
 - s1.1.3. Limite du filtre
 - s1.1.4. Reset filter
 - s1.1.5. Activation filtre
 - s1.2. Drillers
 - s1.2.1. Warning enabled
 - s1.2.2. Left driller state
 - s1.2.3. Right driller state
 - s1.3. Test mode
 - s1.3.1. Master test
 - s1.3.2. Left coffee test
 - s1.3.3. Right coffee test
 - s1.3.4. Water/Steam test
 - s2. Info
 - s2.1. Identification
 - s2.1.1. Version logiciel
 - s2.1.2. Code machine
 - s2.2. Error log
 - s2.2.1. Erreurs
 - s2.2.2. Reset Log
 - s2.3. Audit
 - s2.3.1. Compteurs d'init
 - s2.3.2. Compteurs de r. à z.
 - s2.3.3. Reset Audit
 - s3. Install/Désinstall
 - s3.1. Installation
 - s3.1.1. Langue
 - s3.1.2. Code machine
 - s3.1.3. Contraste affich.
 - s3.2. Désinstallation
 - s3.2.1. Vidange chaudière



P. 2.2 SÉCURITÉ

Cette fonction permet d'attribuer un mot de passe pour accéder à la programmation. Si aucun mot de passe n'a été attribué, on entre directement dans le menu de programmation.

P2.2.1. M. de passe opérat.

En configurant ce mot de passe, l'utilisateur de la machine n'est pas autorisé à intervenir sur certains articles du menu. (voir paragr. « 12.4 Structure du menu de programmation »).

P2.2.2. M. de passe techn. (seulement tech.)

P2.3 OPTIONS

Permet de valider certaines fonctions de nature générale :

P2.3.1. Chauffe-tasses

Sélectionner « **ACTIVÉE** », afin d'allumer la plaque chauffe-tasses lors de l'allumage de la machine.

Sélectionner « **DÉSACTIVÉE** », afin de garder la plaque chauffe-tasses toujours éteinte.

P2.3.2. Anti-congélation (seulement tech.)

P2.3.3. Unité de mesure (seulement tech.)

P2.3.4. Buzzer (seulement tech.)

P2.4 HORLOGE

Cette fonction permet de régler la date et l'horloge de la machine.

P2.4.1. Date

P2.4.1.1. Jour

Permet de modifier le jour du mois.

P2.4.1.2. Mois

Permet de modifier le mois.

P2.4.1.3. Année

Permet de modifier l'année.

P2.4.2. Format date

Permet de modifier le format de la date.

P2.4.3. Horaire

Permet de modifier l'heure.

P2.4.4. Format horaire

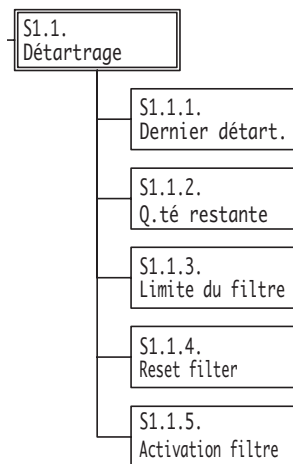
Permet de modifier le format de l'horaire.

P3. REMISE À ZÉRO USINE

(seulement tech.)

- p1. Produits
 - p1.1. Global
 - p1.1.1. Autoprogram.
 - p1.1.2. Préinfusion
 - p1.1.3. Évac. condensation
 - p1.1.4. Nettoyage final
 - p1.2. Détails
 - p1.2.1. Produits gauche
 - p1.2.2. Produits droite
 - p1.2.3. Eau chaude
 - p2. Système
 - p2.1. Température
 - p2.1.1. Variat. température
 - p2.1.2. Températ. chaudière
 - p2.2. Sécurité
 - p2.2.1. M. de passe opérat.
 - p2.2.2. M. de passe techn.
 - p2.3. Options
 - p2.3.1. Chauffe-tasses
 - p2.3.2. Anti-congélation
 - p2.3.3. Unité de mesure
 - p2.3.4. Buzzer
 - p2.4. Horloge
 - p2.4.1. Date
 - p2.4.2. Format date
 - p2.4.3. Horaire
 - p2.4.4. Format horaire
 - p3. Remise à zéro usine
- s1. Assistance
 - s1.1. **Détartrage**
 - s1.1.1. **Dernier détartr.**
 - s1.1.2. **Q.té restante**
 - s1.1.3. **Limite du filtre**
 - s1.1.4. **Reset filter**
 - s1.1.5. **Activation filtre**
 - s1.2. **Drillers**
 - s1.2.1. **Warning enabled**
 - s1.2.2. **Left driller state**
 - s1.2.2.1. **Last changed**
 - s1.2.2.2. **Remaining autonomy**
 - s1.2.2.3. **Change now**
 - s1.2.3. **Right driller state**
 - s1.2.3.1. **Last changed**
 - s1.2.3.2. **Remaining autonomy**
 - s1.2.3.3. **Change now**
 - s1.3. Test mode
 - s1.3.1. Master test
 - s1.3.2. Left coffee test
 - s1.3.3. Right coffee test
 - s1.3.4. Water/Steam test
- s2. Info
 - s2.1. Identification
 - s2.1.1. Version logiciel
 - s2.1.2. Code machine
 - s2.2. Error log
 - s2.2.1. Erreurs
 - s2.2.2. *Reset Log*
 - s2.3. Audit
 - s2.3.1. Compteurs d'init
 - s2.3.2. Compteurs de r. à z.
 - s2.3.3. *Reset Audit*
- s3. *Install/Désinstall*
 - s3.1. Installation
 - s3.1.1. Langue
 - s3.1.2. Code machine
 - s3.1.3. Contraste affich.
 - s3.2. Désinstallation
 - s3.2.1. Vidange chaudière

12.6 Structure du menu de service



S1.1 DÉTARTRAGE

S1.1.1. Dernier détartr.

Permet d'afficher la date du dernier détartrage.

S1.1.2. Q.té restante

Permet d'afficher les litres restants avant d'effectuer le détartrage.

S1.1.3. Limite du filtre

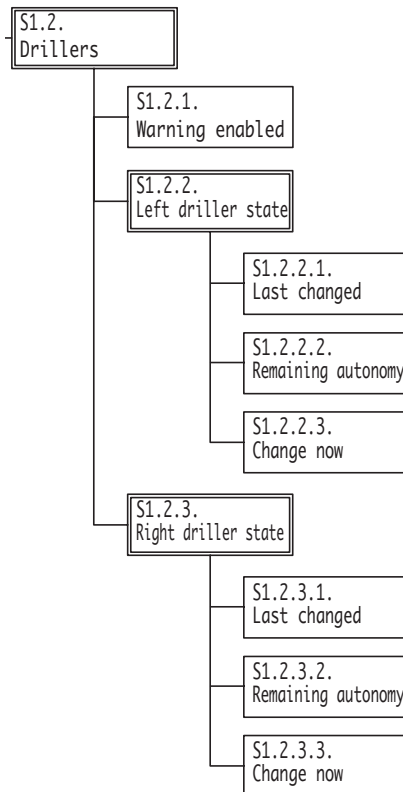
Permet de saisir les litres d'autonomie du filtre. Appuyer sur Enter pour saisir les litres.

S1.1.4. Reset filter

Permet d'effectuer la procédure pour exécuter le détartrage.

S1.1.5. Activation filtre

Fonction qui permet d'activer/ de désactiver l'affichage du signal d'intervention.



S1.2. DRILLERS

S1.2.1. Warning enabled

Fonction qui permet d'activer/ de désactiver le signal indiquant de remplacer les dispositifs de perçage.

S1.2.2. Left driller state

S1.2.2.1. Last changed

Affiche le dernier remplacement des dispositifs de perçage.

S1.2.2.2. Remaining autonomy

Affiche l'autonomie restante des dispositifs de perçage.

S1.2.2.3. Change now (seulement tech.)

S1.2.3. Right driller state

S1.2.3.1. Last changed

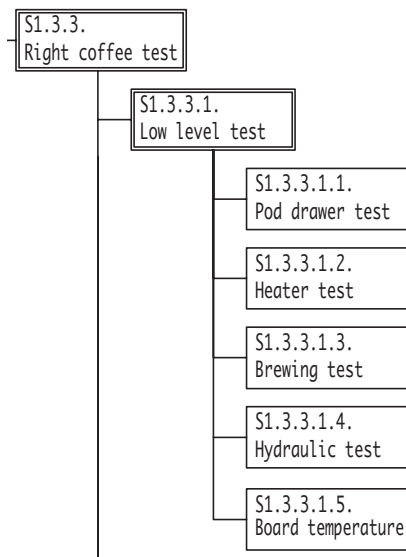
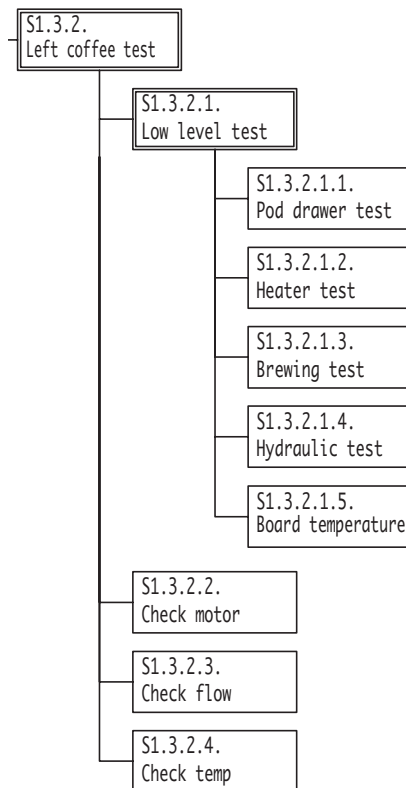
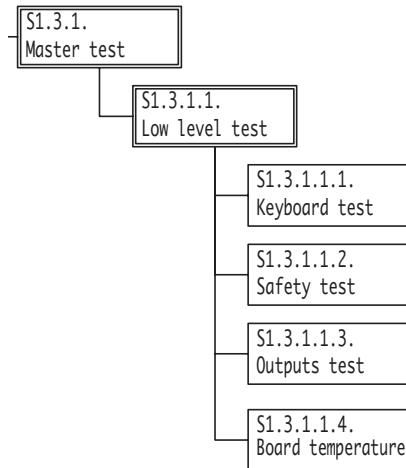
Affiche le dernier remplacement des dispositifs de perçage.

S1.2.3.2. Remaining autonomy

Affiche l'autonomie restante des dispositifs de perçage.

S1.2.3.3. Change now (seulement tech.)

- p1. Produits
 - p1.1. Global
 - p1.1.1. Autoprogram.
 - p1.1.2. Préinfusion
 - p1.1.3. Évac. condensation
 - p1.1.4. Nettoyage final
 - p1.2. Détails
 - p1.2.1. Produits gauche
 - p1.2.2. Produits droite
 - p1.2.3. Eau chaude
- p2. Système
 - p2.1. Température
 - p2.1.1. Variat. température
 - p2.2. Températ. chaudière
 - p2.2.1. Sécurité
 - p2.2.1.1. M. de passe opérat.
 - p2.2.1.2. M. de passe techn.
- p2.3. Options
 - p2.3.1. Chauffetasses
 - p2.3.2. Anti-congélation
 - p2.3.3. Unité de mesure
 - p2.3.4. Buzzer
- p2.4. Horloge
 - p2.4.1. Date
 - p2.4.2. Format date
 - p2.4.3. Horaire
 - p2.4.4. Format horaire
- p3. Remise à zéro usine
 - s1. Assistance
 - s1.1. Détartrage
 - s1.1.1. Dernier détartr.
 - s1.1.2. Q.té restante
 - s1.1.3. Limite du filtre
 - s1.1.4. Reset filter
 - s1.1.5. Activation filtre
 - s1.2. Drillers
 - s1.2.1. Warning enabled
 - s1.2.2. Left driller state
 - s1.2.3. Right driller state
 - s1.3. Test mode**
 - s1.3.1. Master test**
 - s1.3.2. Left coffee test**
 - s1.3.3. Right coffee test**
 - s1.3.4. Water/Steam test
- s2. Info
 - s2.1. Identification
 - s2.1.1. Version logiciel
 - s2.1.2. Code machine
 - s2.2. Error log
 - s2.2.1. Erreurs
 - s2.2.2. Reset log
 - s2.3. Audit
 - s2.3.1. Compteurs d'init
 - s2.3.2. Compteurs de r. à z.
 - s2.3.3. Reset Audit
- s3. Install/Désinstall
 - s3.1. Installation
 - s3.1.1. Langue
 - s3.1.2. Code machine
 - s3.1.3. Contraste affich.
 - s3.2. Désinstallation
 - s3.2.1. Vidange chaudière



S1.3. TEST MODE

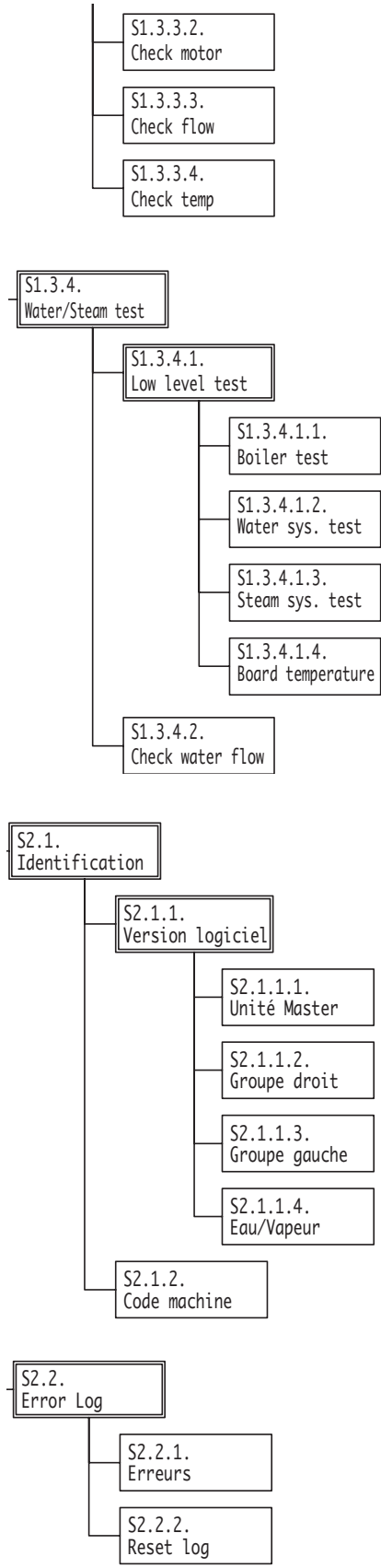
- S1.3.1. Master test (seulement tech.)
 - S1.3.1.1. Low level test (seulement tech.)
 - S1.3.1.1.1. Keyboards test (seulement tech.)
 - S1.3.1.1.2. Safety test (seulement tech.)
 - S1.3.1.1.3. Outputs test (seulement tech.)
 - S1.3.1.1.4. Board temperature (seulement tech.)

- S1.3.2. Left coffee test (seulement tech.)
 - S1.3.2.1. Low level test (seulement tech.)
 - S1.3.2.1.1. Pod drawer test (seulement tech.)
 - S1.3.2.1.2. Heater test (seulement tech.)
 - S1.3.2.1.3. Brewing test (seulement tech.)
 - S1.3.2.1.4. Hydraulic test (seulement tech.)
 - S1.3.2.1.5. Board temperature (seulement tech.)

- S1.3.2.2. Check motor (seulement tech.)
- S1.3.2.3. Check flow (seulement tech.)
- S1.3.2.4. Check temp (seulement tech.)

- S1.3.3. Right coffee test (seulement tech.)
 - S1.3.3.1. Low level test (seulement tech.)
 - S1.3.3.1.1. Pod drawer test (seulement tech.)
 - S1.3.3.1.2. Heater test (seulement tech.)
 - S1.3.3.1.3. Brewing test (seulement tech.)
 - S1.3.3.1.4. Hydraulic test (seulement tech.)
 - S1.3.3.1.5. Board temperature (seulement tech.)

- p1. Produits
 - p1.1. Global
 - p1.1.1. Autoprogram.
 - p1.1.2. Préinfusion
 - p1.1.3. Évac. condensation
 - p1.1.4. Nettoyage final
 - p1.2. Détails
 - p1.2.1. Produits gauche
 - p1.2.2. Produits droite
 - p1.2.3. Eau chaude
- p2. Système
 - p2.1. Température
 - p2.1.1. Variat. température
 - p2.1.2. Températ. chaudière
 - p2.2. Sécurité
 - p2.2.1. M. de passe opérat.
 - p2.2.2. M. de passe techn.
 - p2.3. Options
 - p2.3.1. Chauffetasses
 - p2.3.2. Anti-congélation
 - p2.3.3. Unité de mesure
 - p2.3.4. Buzzer
 - p2.4. Horloge
 - p2.4.1. Date
 - p2.4.2. Format date
 - p2.4.3. Horaire
 - p2.4.4. Format horaire
- p3. Remise à zéro usine
- s1. Assistance
 - s1.1. Détartrage
 - s1.1.1. Dernier détartr.
 - s1.1.2. Q.té restante
 - s1.1.3. Limite du filtre
 - s1.1.4. Reset filtre
 - s1.1.5. Activation filtre
 - s1.2. Drillers
 - s1.2.1. Warning enabled
 - s1.2.2. Left driller state
 - s1.2.3. Right driller state
 - s1.3. Test mode
 - s1.3.1. Master test
 - s1.3.2. Left coffee test
 - s1.3.3. Right coffee test**
 - s1.3.4. Water/Steam test**
- s2. Info
 - s2.1. Identification**
 - s2.1.1. Version logiciel**
 - s2.1.2. Code machine
 - s2.2. Error log**
 - s2.2.1. Erreurs
 - s2.2.2. Reset log**
- s2.3. Audit
 - s2.3.1. Compteurs d'init
 - s2.3.2. Compteurs de r. à z.
 - s2.3.3. Reset Audit
- s3. Install/Désinstall
 - s3.1. Installation
 - s3.1.1. Langue
 - s3.1.2. Code machine
 - s3.1.3. Contraste affich.
 - s3.2. Désinstallation
 - s3.2.1. Vidange chaudière



- S1.3.3.2. Check motor (seulement tech.)
- S1.3.3.3. Check flow (seulement tech.)
- S1.3.3.4. Check temp (seulement tech.)

- S1.3.4. Water/Steam test (seulement tech.)
 - S1.3.4.1. Low level test (seulement tech.)
 - S1.3.4.1.1. Boiler test (seulement tech.)
 - S1.3.4.1.2. Water sys. test (seulement tech.)
 - S1.3.4.1.3. Steam sys. test (seulement tech.)
 - S1.3.4.1.4. Board temperature (seulement tech.)
 - S1.3.4.2. Check water flow (seulement tech.)

S2.1 IDENTIFICATION

S2.1.1. Version logiciel

Permet d'afficher les versions de logiciel des cartes suivantes :

- Unité Master ;
- Groupe droit ;
- Groupe gauche ;
- Eau/Vapeur

S2.1.2. Code machine

Permet d'afficher le code machine.

S2.2 ERROR LOG

Cette fonction permet d'afficher les 50 dernières erreurs éventuellement enregistrées dans la machine :

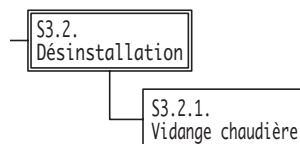
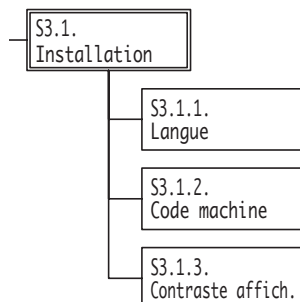
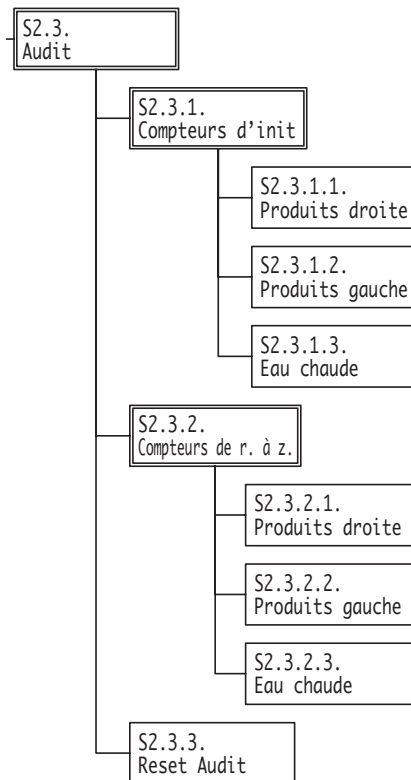
S2.2.1. Erreurs

Permet d'afficher individuellement chaque erreur s'étant produite en fournissant quelques données (après la dernière remise à zéro) :

- partie de la machine concernée par l'erreur ;
- numéro de l'erreur
- date et heure à laquelle l'erreur s'est produite.

S2.2.2. Reset log (seulement tech.)

- p1. Produits
 - p1.1. Global
 - p1.1.1. Autoprogram.
 - p1.1.2. Préinfusion
 - p1.1.3. Évac. condensation
 - p1.1.4. Nettoyage final
 - p1.2. Détails
 - p1.2.1. Produits gauche
 - p1.2.2. Produits droite
 - p1.2.3. Eau chaude
- p2. Système
 - p2.1. Température
 - p2.1.1. Variat. température
 - p2.1.2. Températ. chaudière
 - p2.2. Sécurité
 - p2.2.1. M. de passe opérat.
 - p2.2.2. M. de passe techn.
 - p2.3. Options
 - p2.3.1. Chauffe-tasses
 - p2.3.2. Anti-congélation
 - p2.3.3. Unité de mesure
 - p2.3.4. Buzzer
 - p2.4. Horloge
 - p2.4.1. Date
 - p2.4.2. Format date
 - p2.4.3. Horaire
 - p2.4.4. Format horaire
- p3. Remise à zéro usine
 - s1. Assistance
 - s1.1. Détramage
 - s1.1.1. Dernier détartr.
 - s1.1.2. Q.tié restante
 - s1.1.3. Limite du filtre
 - s1.1.4. Reset filter
 - s1.1.5. Activation filtre
 - s1.2. Drillers
 - s1.2.1. Warning enabled
 - s1.2.2. Left driller state
 - s1.2.3. Right driller state
 - s1.3. Test mode
 - s1.3.1. Master test
 - s1.3.2. Left coffee test
 - s1.3.3. Right coffee test
 - s1.3.4. Water/Steam test
 - s2. Info
 - s2.1. Identification
 - s2.1.1. Version logiciel
 - s2.1.2. Code machine
 - s2.2. Error log
 - s2.2.1. Erreurs
 - s2.2.2. Reset log
 - s2.3. Audit
 - s2.3.1. Compteurs d'init
 - s2.3.2. Compteurs de r. à z.
 - s2.3.3. Reset Audit
 - s3. Install/Désinstall
 - s3.1. Installation
 - s3.1.1. Langue
 - s3.1.2. Code machine
 - s3.1.3. Contraste affich.
 - s3.2. Désinstallation
 - s3.2.1. Vidange chaudière



S2.3 AUDIT

S2.3.1. Compteurs d'init

Permet d'afficher le nombre de boissons distribuées. Le comptage des boissons est réparti par groupes de café (droit et gauche) et ensuite par boisson (expresso, lait, cappuccino, crème, allongé et café).

S2.3.2. Compteurs de r. à z.

Permet d'afficher le nombre de boissons distribuées depuis la dernière remise à zéro des compteurs. Le comptage des boissons est réparti par groupes de café (droit et gauche) et ensuite par boisson (expresso, lait, cappuccino, crème, allongé et café).

S2.3.3. Reset audit

Permet de remettre à zéro les compteurs des deux groupes de café.

S3.1 INSTALLATION

S3.1.1. Langue (seulement tech.)

S3.1.2. Code machine (seulement tech.)

S3.1.3. Contraste affich. (seulement tech.)

S3.2 DÉSINSTALLATION

S3.2.1. Vidange chaudière (seulement tech.)

12.7 Messages affichés

Message	Cause	Remèdes
ERREUR GROUPE	Ce message s'affiche en cas d'erreur identifiable par un numéro visible dans le menu de service sous l'article S.2.2.1.1	Noter le numéro identificateur de l'erreur depuis le menu de service ; arrêter la machine et appeler le CENTRE D'ASSISTANCE AGRÉÉ. Quant aux erreurs indiquées ci-dessous, effectuer les contrôles suivants, avant d'appeler le CENTRE D'ASSISTANCE AGRÉÉ: 52 vérifier la présence d'eau dans le réseau de distribution; 55 vérifier si le groupe est correctement inséré.
VIDER LE MARC (AVERTISSEMENT)	Ce message s'affiche lorsque le bac à capsules est presque plein (la machine a effectué le nombre programmé de distributions). Il est quand même possible d'effectuer des distributions ultérieures.	Vider le bac à capsules.
VIDER LE MARC (ALARME)	Le bac à capsules est complètement plein (la machine a effectué le nombre programmé de distributions). La machine est bloquée et aucune distribution n'est plus possible tant que le tiroir n'est vidé.	Vider le bac à capsules.
FERMER LE VOLET	Le volet n'est pas fermé correctement.	Fermer le volet
FERMER LE TIROIR	Le bac à capsules n'est pas inséré correctement.	Insérer correctement le bac à capsules.
MONTER TRÉMIE	La trémie n'est pas insérée correctement.	Insérer correctement la trémie.

12.8 Mise hors circuit de la machine

À cette fin, il faut régler l'interrupteur général (21) en position « 0 » ou bien extraire la fiche.

13 - ENTRETIEN DE ROUTINE



Avertissements

- **En cas de mauvais fonctionnement** (généralement affiché à l'écran), éteindre immédiatement la machine, couper l'alimentation électrique à l'aide de l'interrupteur omnipolaire ou en débranchant la fiche, et contacter le centre d'assistance le plus proche.
- **Avant d'effectuer** toute intervention d'entretien et/ou de nettoyage, couper l'alimentation électrique à l'aide de l'interrupteur général (21) et de l'interrupteur omnipolaire (ou en débranchant la fiche).
- **Toute intervention** est à effectuer si la machine est refroidie.
- **N'effectuer** aucune opération de nettoyage si la machine est en « standby ».
- **Les produits de nettoyage** sont disponibles auprès de tous les revendeurs de pièces de rechange des machines à café. En cas de difficulté d'approvisionnement local, s'adresser à la maison mère ou à l'installateur.
- **Ne jamais laver** les composants de la machine dans le lave-vaisselle.
- **Ne pas utiliser** de jets d'eau directs.

13.1 Nettoyage de la machine

- Le nettoyage de la machine est à effectuer quotidiennement et avant chaque interruption prolongée de la machine, afin d'éviter la solidification des accumulations dans les récipients, les bacs et les distributeurs.
- **Toutes les parties amovibles** de l'appareil à nettoyer doivent être lavées et rincées à l'eau courante.
- **Nettoyer** les revêtements, les panneaux et les commandes de la machine au moyen d'un chiffon souple, humidifié avec de l'eau tiède.
- **Les composants fixes** et la machine doivent être nettoyés avec de l'eau froide ou tiède, en utilisant des éponges non abrasives et des chiffons humides.
- **Toutes les parties** à nettoyer sont aisément accessibles ; il ne faut employer aucun outil.



IMPORTANT

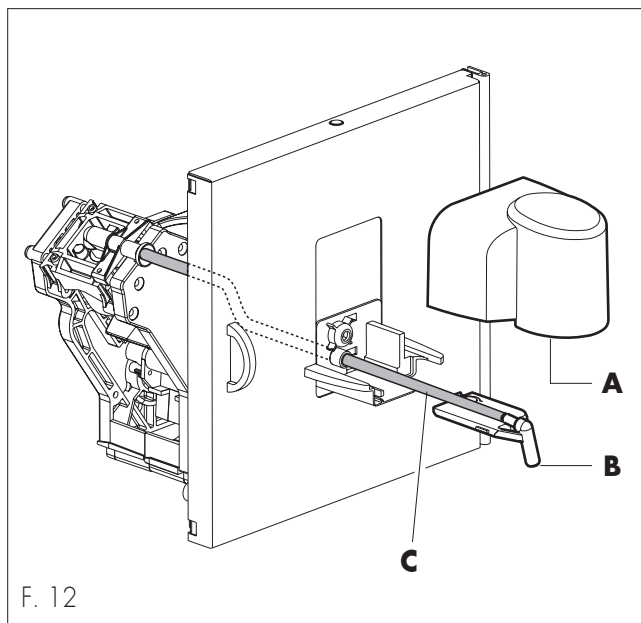
L'entretien et le nettoyage de routine préservent les performances de l'appareil dans le temps et garantissent le respect des normes hygiéniques.

La machine signale automatiquement si des interventions d'entretien et/ou de décalcification sont à effectuer, le nombre précis de distributions est visible à l'écran de la machine ; si le Technicien d'entretien n'intervient pas, cela peut provoquer le blocage de la machine.

13.1.1 Distributeur de café (Fig. 12)

Il est possible d'enlever :

- la protection supérieure (A) du distributeur en la tirant vers soi-même ;
- le distributeur de café (B) en le tirant vers soi-même ;
- le manchon café (C) du groupe.



13.1.2 Bac et grille égouttoir

Ôter le bac d'égouttement (15) de la machine et le laver à l'eau courante sans abîmer la grille.

13.1.3 Bac à capsules

Laver à l'eau courante le bac à capsules (16 et 18) après avoir retiré le bac de son logement.

13.1.4 Tuyaux de distribution de vapeur et d'eau chaude

Nettoyer les tuyaux (13 et 19) avec un chiffon humide non abrasif.

En cas d'obturation des buses, la partie finale des distributeurs peut être dévissée et les buses peuvent être ouvertes par un pointeau.

13.1.5 Plaque chauffe-tasses

Nettoyer la plaque chauffe-tasses (4) avec un chiffon humide non abrasif.

13.1.6 Groupe de distribution

Enlever et nettoyer le groupe de distribution (27) à l'eau courante.

13.1.7 Trémie d'éjection capsule

Enlever et nettoyer la trémie d'éjection de la capsule (28) à l'eau courante.

13.1.8 Nettoyage du cappuccinatore



ATTENTION

N'effectuer aucune opération de nettoyage du cappuccinatore si la machine est en « standby ».
Le nettoyage est à effectuer à chaque utilisation du CAPPUCCINATORE, afin d'éviter la solidification des accumulations.
Tous les composants démontables doivent être lavés et rincés à l'eau courante.

Attention ! Danger de brûlure. Pendant les cycles de lavage du cappuccinatore, il peut y avoir des éclaboussures d'eau chaude, de vapeur et des résidus de lait. Ne pas rapprocher les mains ou d'autres parties du corps de ces éléments, avant la fin du cycle de nettoyage.

Cette opération a pour but d'éliminer tous les dépôts de graisse et de tartre, qui se sont formés pendant le flux et l'émulsion du lait.

Sans ce cycle de lavage, on risque de favoriser la solidification des dépôts susceptibles de compromettre les performances du cappuccinatore.

ATTENTION

Les opérations décrites ci-après doivent être effectuées avec la machine en service et sous pression.

Nettoyage périodique

Cette opération doit être effectuée toutes les 30 minutes en cas d'emploi continu du cappuccinatore.

- Retirer le tuyau du réservoir à lait et le laver à l'eau froide.
- Appuyer sur la touche de distribution du lait pour nettoyer le cappuccinatore.

ATTENTION

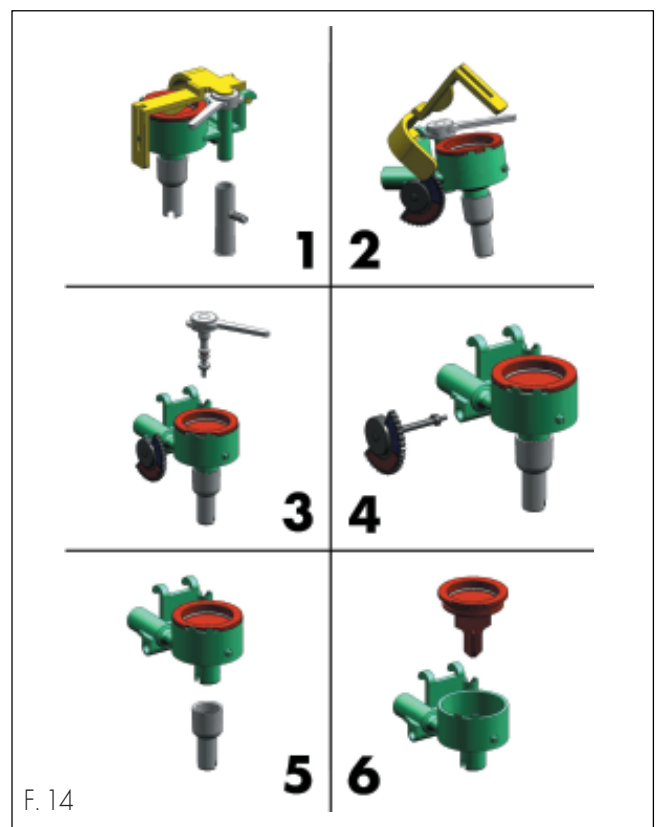
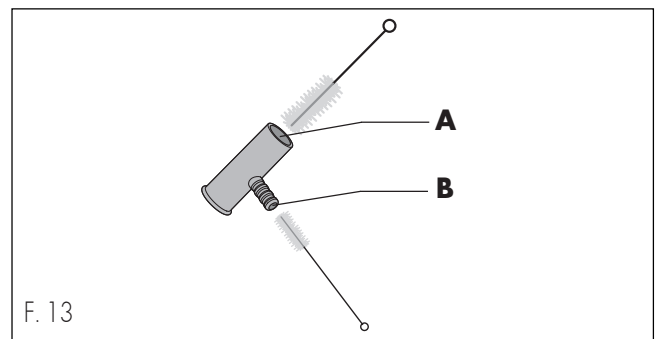
Nous conseillons d'effectuer le cycle décrit ci-dessus au moins deux fois avec un écart d'une minute l'un de l'autre.

Nettoyage du soir du cappuccinatore

À effectuer à la fin de la journée de travail.

- Remplir un réservoir d'un 1/2 litre d'eau froide et d'une dose de détergent liquide (voir instructions du produit).
- Retirer le tuyau d'aspiration du réservoir à lait et le plonger dans la solution détergente.
- Appuyer sur la touche **LAIT** et l'eau sortira de la buse de distribution du cappuccino. Le message **LAIT** s'affiche à l'écran. Continuer à distribuer la boisson à base de lait, jusqu'à l'épuisement du liquide.
- Le détergent sera aspiré automatiquement et il sortira de la buse du cappuccinatore.
- Le cycle de lavage terminé, enlever le couvercle chromé.

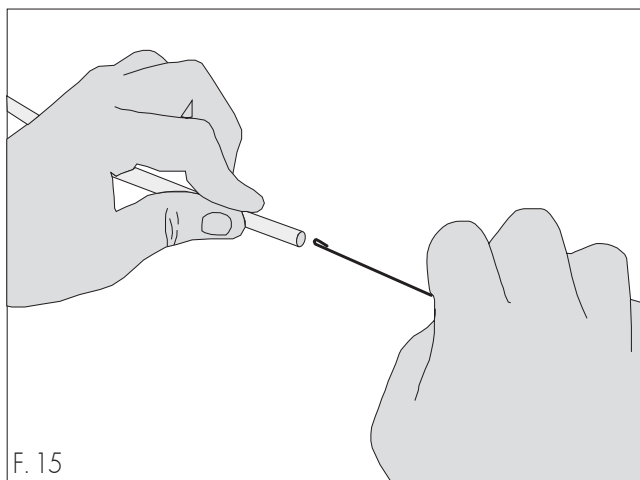
- Démontez le cappuccinatore (voir figure 14) :
 - Tirer délicatement vers le bas et retirer le connecteur du tuyau de lait, situé sur le côté du cappuccinatore.
 - Tirer et ôter le cappuccinatore frontalement.
 - Désassembler complètement le cappuccinatore et démonter les cinq parties.
 - Préparer une nouvelle dose de solution détergente (voir ci-dessus) et y plonger les parties du cappuccinatore.
 - Laver chaque partie à l'aide d'une éponge et éliminer tous les résidus organiques ; ensuite, plonger à nouveau le cappuccinatore dans la solution pendant au moins deux heures.
 - Remonter les composants.
 - Réinstaller le cappuccinatore dans la machine ; introduire le connecteur du tuyau du lait, situé sur le côté du cappuccinatore et remplacer le couvercle chromé.
- Nettoyer les trous A et B à l'aide des écouillons prévus à cet effet (voir la figure)



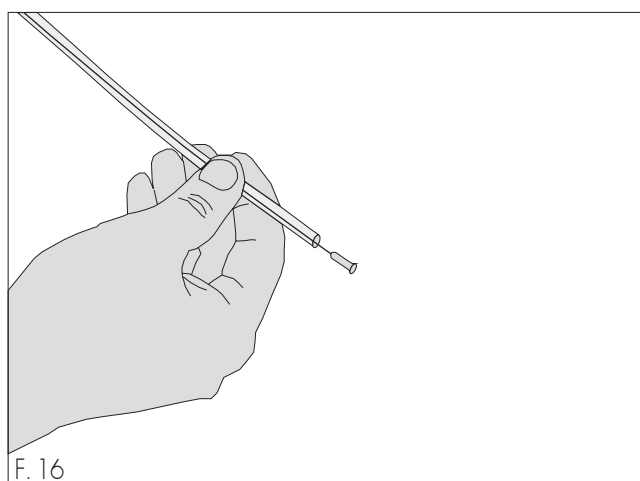
- Rincer en faisant couler au moins un 1/2 litre d'eau froide à travers le cappuccinatore.

Nettoyage du tuyau du cappuccinatore

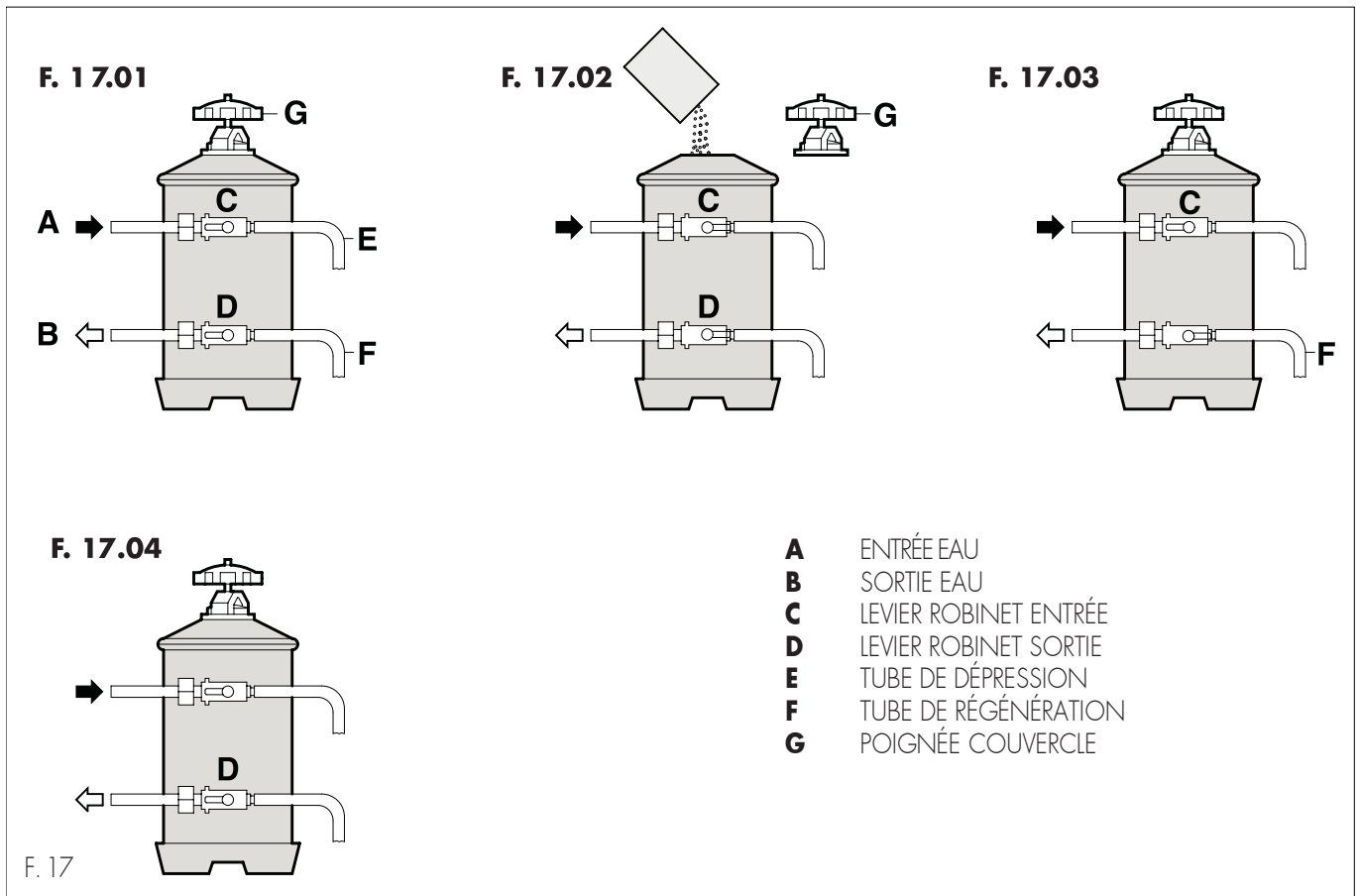
- Ôter le tuyau depuis le raccord du cappuccinatore ainsi que depuis le récipient du lait
- Introduire l'écouvillon dans le tuyau (voir la figure)



- Tirer vers l'extérieur, répéter cette opération deux fois au minimum



13.1.9 Régénération adoucisseur



IMPORTANT
Régénérer l'adoucisseur aux échéances prévues comme suit :

DURETÉ F

- De 00 à 20
- De 21 à 30
- De 31 à 40
- De 41 à 50

ADOUCISSEUR TYPE 8 LITRES

- régénération après 1 100 l
- régénération après 850 l
- régénération après 650 l
- régénération après 450 l

ADOUCISSEUR TYPE 12 LITRES

- régénération après 1 600 l
- régénération après 1 250 l
- régénération après 950 l
- régénération après 650 l

- Mettre le récipient vide d'environ 2 litres sous le tube **E**
- Déplacer les leviers **C** et **D** de la gauche vers la droite, comme indiqué par la Fig. 17.02 ; enlever le couvercle, en dévissant la poignée **G** ; introduire 1,5 kg de chlorure de sodium (gros sel) dans l'adoucisseur type 8 litres et 2 kg de chlorure de sodium dans l'adoucisseur type 12 litres.
- Replacer le couvercle et déplacer le levier **C** de la droite vers la gauche, conformément à la Fig. 17.03 ; vider l'eau salée du tube **F** jusqu'à ce que l'eau soit douce.
- Tirer le levier **D** de la droite vers la gauche, comme indiqué par la Fig. 17.04.

IMPORTANT
Les opérations de régénération ne sont efficaces que si l'adoucisseur correspond au modèle montré par les figures. Dans le cas contraire, suivre les instructions fournies avec l'adoucisseur.

14 - ENTRETIEN CURATIF



IMPORTANT

Toutes les interventions concernant des réparations et des remplacements de composants font partie de l'entretien curatif. Ces opérations ne peuvent être exécutées que par le Technicien d'entretien.

14.1 Groupe de distribution

Pour assurer une meilleure qualité du café, nous conseillons de remplacer le filtre perforateur tous les 4 000-5 000 cycles.

Démontage du filtre perforateur

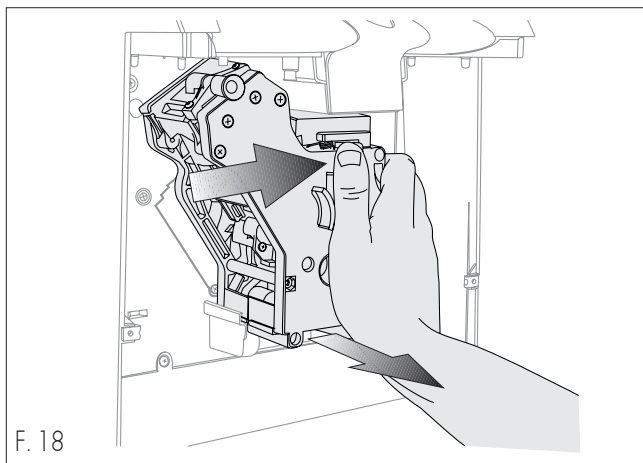
Cette section illustre le démontage du filtre perforateur et ses modes d'entretien.

Appuyer sur le levier « **PUSH** » et retirer le groupe de distribution, en le tirant vers l'extérieur.



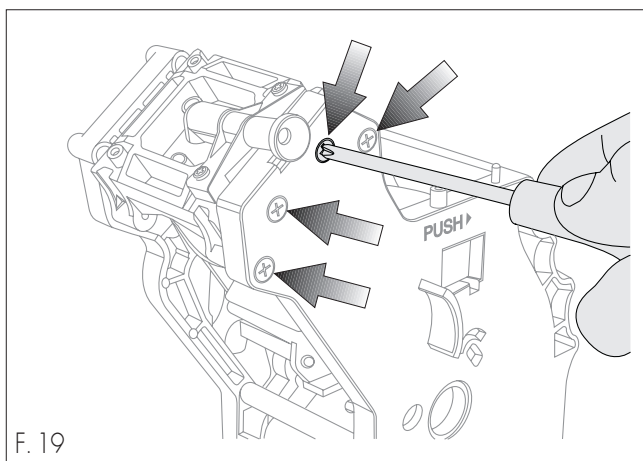
ATTENTION

Ce groupe intègre des éléments très pointus, susceptibles de provoquer des lésions à l'opérateur. Prêter le maximum d'attention lors de ces opérations d'entretien.



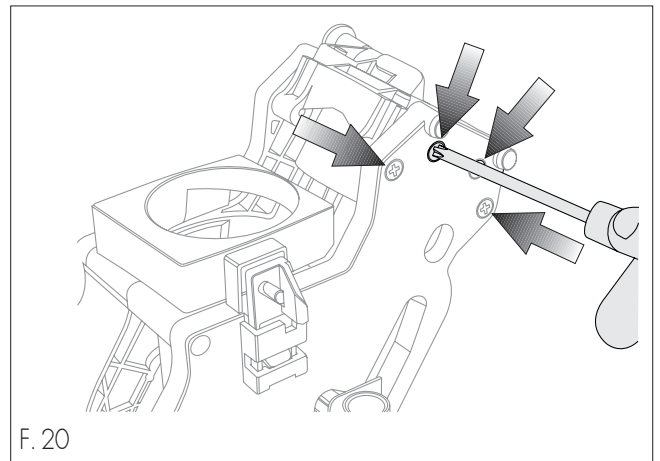
F. 18

Dévisser les 4 vis situées dans la partie avant du groupe de distribution.



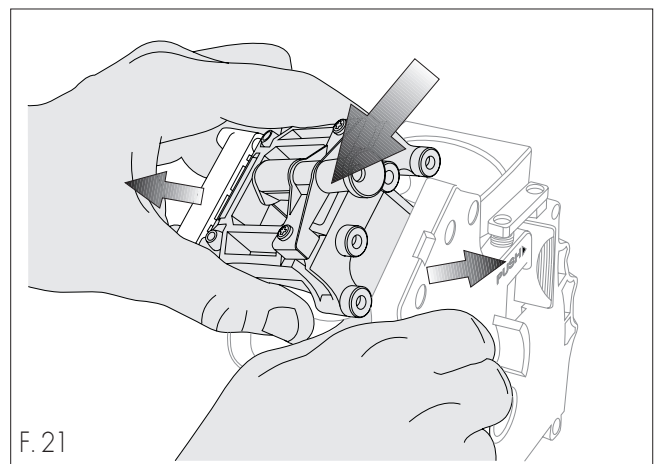
F. 19

Dévisser les 4 vis situées dans la partie arrière du groupe de distribution.



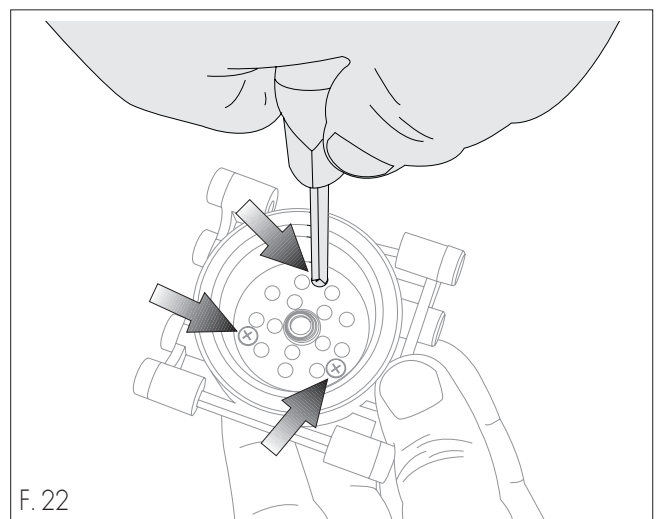
F. 20

Écartier légèrement les bords du groupe de distribution et ôter le récipient fixe pour la capsule de café.



F. 21

Dévisser les 3 vis qui fixent le perforateur.



F. 22

Démonter le perforateur usagé et placer le nouveau perforateur.



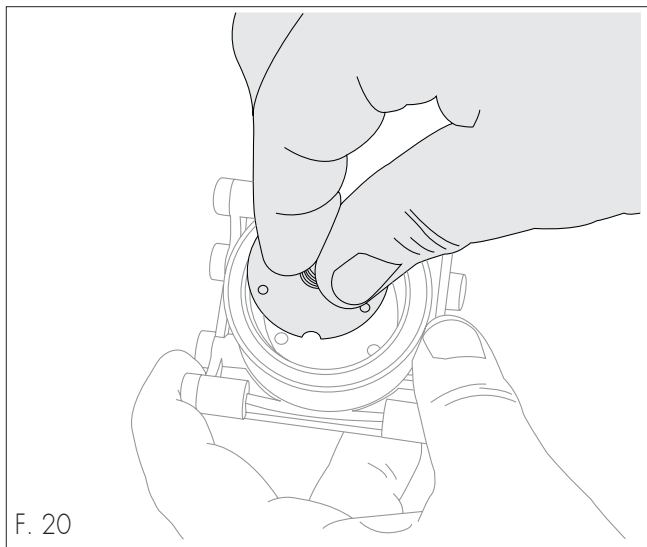
IMPORTANT

Le perforateur ne peut être monté que dans une position préétablie. Pour installer correctement le perforateur, faire référence au cran situé à l'intérieur de l'élément antagoniste du piston.



IMPORTANT

Le perforateur doit de toute façon être remplacé en cas de cale endommagée.



F. 20

15 - INSTRUCTIONS POUR LE TRAITEMENT DE FIN DE VIE UTILE





Attention

La démolition du distributeur ou de ses parties, doit s'effectuer dans le respect de l'environnement et conformément aux normes en vigueur en la matière.

16 - INCONVÉNIENTS - PROBLÈMES ET SOLUTIONS

Par la suite sont reportées les anomalies éventuelles de fonctionnement de la machine.

Si la case «solution» contient le symbole , cela signifie que l'intervention doit être effectuée par le **Technicien de Maintenance**.

INCONVÉNIENT	CAUSE	SOLUTION
<i>La machine ne se met pas en circuit</i>	Pas de courant	Contrôles: vérifier si la fiche est branchée;
		vérifier si l'interrupteur omnipolaire (si présent) est allumé;
		contrôler les fusibles de l'installation électrique;
		vérifier les connexions électriques; 
<i>Ni eau ni vapeur ne sortent</i>	Le trou du tuyau de la vapeur/eau chaude est engorgé	Le nettoyer par une aiguille très fine
<i>Le café n'est pas assez chaud</i>	La tasse n'est pas préchauffée	Préchauffer la tasse sur la plaque chauffante
	La machine n'a pas encore atteint la température idéale	Attendre que la machine atteigne la température optimale.
<i>La machine met trop de temps pour se chauffer, la quantité d'eau est limitée</i>	Le circuit de la machine est engorgé par le calcaire	Détartrer la machine 
<i>Le groupe de distribution ne peut pas être enlevé</i>	Le groupe de distribution de café n'est pas dans sa position de base.	Mettre hors circuit et en circuit la machine par l'interrupteur général
<i>L'unité centrale ne peut pas être mise en place</i>	Le groupe de distribution de café n'est pas dans sa position de base.	Tourner manuellement le groupe jusqu'à la position base, en faisant correspondre la référence sur l'arbre avec la flèche.
<i>Le cappuccinatore ne distribue pas de lait</i>	La température du lait à employer n'est pas assez basse (voir avertissements)	Tourner le levier de réglage de la température vers le bas
	Le conteneur du lait est vide	Remplir le conteneur du lait

PREMISA

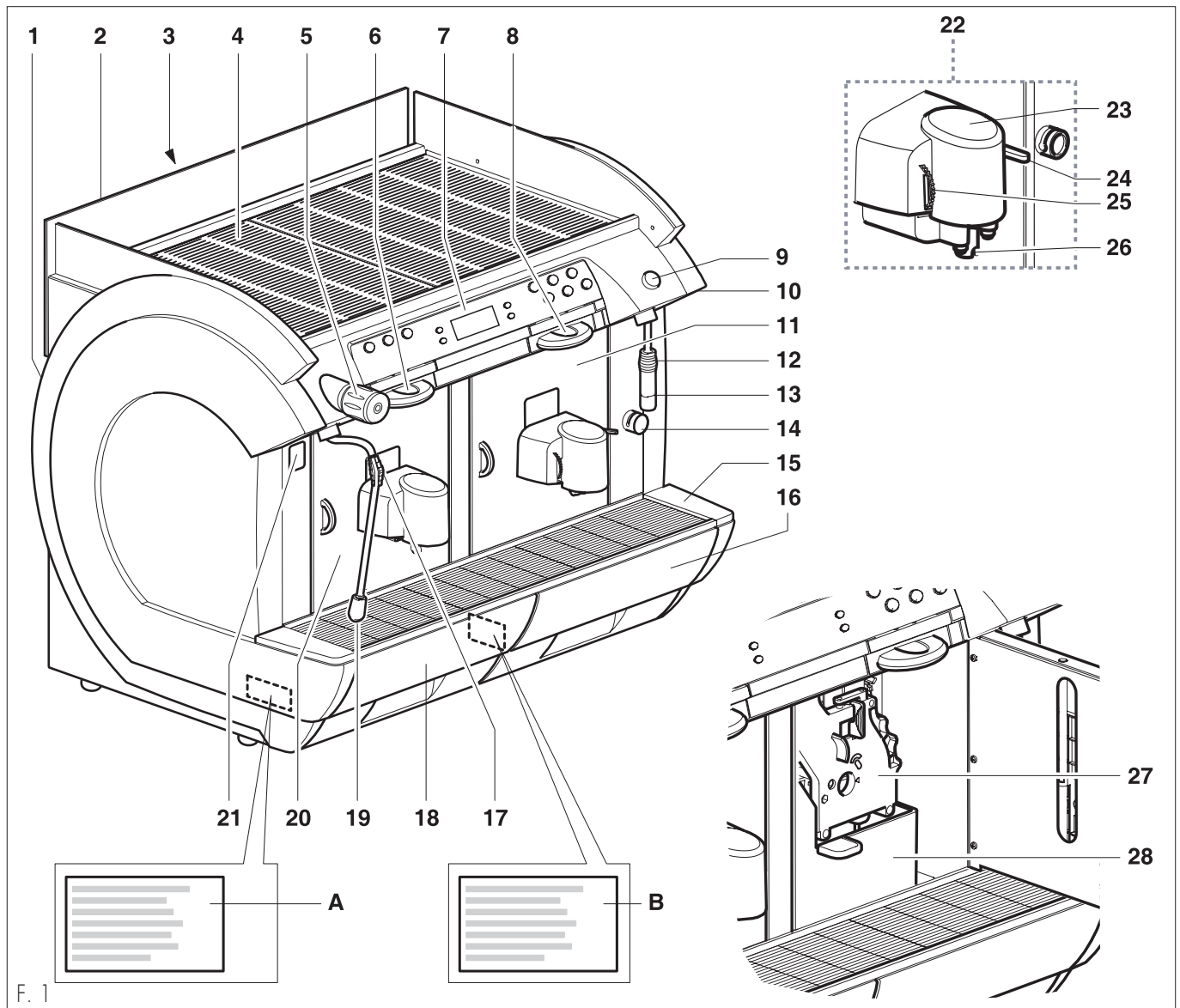
- El presente manual es parte integrante de la máquina y, por consiguiente, se deberá mantener en un lugar conocido y de fácil acceso, en buen estado de conservación, por toda la vida operativa de la máquina (incluidos los cambios de propiedad que pudieran efectuarse). Su finalidad es la de transmitir las informaciones necesarias para el uso competente y seguro de la misma máquina.
- En caso de pérdida o deterioro de la presente publicación, solicitar un ejemplar a un **Centro de Asistencia Autorizado**, especificando el modelo y el año de fabricación de la máquina.
- Los **Centros de Asistencia Autorizados**, además, están a su disposición para las aclaraciones técnicas que pudieran necesitar, facilitarles información acerca del funcionamiento del aparato, brindarles asistencia técnica y repuestos.
- Los **temas tratados** tienen el objetivo exclusivo de usar la máquina en condiciones de seguridad para las personas, la misma máquina y el ambiente, interpretando un elemental diagnóstico de averías y condiciones de funcionamiento anómalo, desempeñando simples tareas de verificación y mantenimiento, dentro de un marco de máximo respeto de las prescripciones objeto de las páginas que están a continuación y de las Normas de Salud y Seguridad vigentes.
- **Antes de todo servicio**, leer atentamente, y cerciorarse de haber entendido correctamente, el contenido de la presente publicación.
- El **empleo de la máquina** por varios usuarios (individualmente) exige la indudable necesidad de examinar atentamente el manual de instrucciones por parte de cada uno de ellos.
- El **Fabricante** se reserva el derecho de aportar mejoras y modificaciones a los modelos en cuestión, sin la obligación de dar ningún aviso previo.
- Para **cuestiones especiales**, dirigirse al Distribuidor o, en su caso, al Importador de su Nación o al mismo Fabricante.
- **Todos los derechos** de la presente publicación están reservados a la Firma **LAVAZZA**. Queda terminantemente prohibida toda reproducción o divulgación, incluso parcial, sin la debida autorización por escrito.

ÍNDICE

1 - COMPOSICIÓN DE LA MÁQUINA.....	5 8	12 - USO DE LA MÁQUINA	6 3
2 - NOTAS DE CONSULTA.....	5 9	12.1 Estados de la máquina.....	63
2.1 Abreviaciones.....	59	12.2 Descripción de los mandos	64
2.2 Simbología utilizada	59	12.3 Funciones programables del menú	66
3 - USUARIO	5 9	12.4 Estructura del menú de programación	66
4 - ENCARGADO DEL MANTENIMIENTO TÉCNICO.....	5 9	12.5 Descripción de las funciones	67
5 - EMPLEO DESTINADO DE LA MÁQUINA.....	5 9	12.6 Estructura del menú de servicio	72
6 - ADVERTENCIAS Y CAUTELAS	6 0	12.7 Mensajes exhibidos en el display	76
7 - PRECAUCIONES GENERALES	6 0	12.8 Apagado de la máquina.....	76
8 - DATOS DE LA MÁQUINA	6 0	13 - MANTENIMIENTO ORDINARIO	7 7
8.1 Datos de identificación.....	60	13.1 Limpieza de la máquina	77
8.2 Características técnicas	60	13.1.1 Grupo de erogación de café (F. 12).....	77
8.3 Medidas	60	13.1.2 Cubeta de goteo y respectiva rejilla	77
8.4 Grupo de erogación de café	61	13.1.3 Cajón de recogida de las cápsulas	77
8.5 Grupo del cappuccinatore	61	13.1.4 Tubos de suministro del vapor y agua caliente.....	77
9 - DISPOSITIVOS DE SEGURIDAD.....	6 1	13.1.5 Superficie calentatazas	77
9.1 Riesgos	61	13.1.6 Grupo de erogación	77
10 - INSTALACIÓN.....	6 2	13.1.7 Tolla de descarga de cápsulas	77
10.1 Notas sobre la ubicación	62	13.1.8 Limpieza del cappuccinatore.....	78
10.2 Posicionamiento de la máquina	62	13.1.9 Regeneración del depurador	80
10.3 Conexión hídrica	62	14 - MANTENIMIENTO EXTRAORDINARIO	8 1
10.4 Conexión eléctrica	63	14.1 Grupo de erogación	81
10.5 Conexión del puerto de serie	63	15 - INSTRUCCIONES PARA EL TRATAMIENTO AL FINAL DE VIDA ÚTIL.....	8 2
11 - PRIMER ENCENDIDO DE LA MÁQUINA.....	6 3	16 - INCONVENIENTES, CAUSAS Y REMEDIOS.....	8 3

1 - COMPOSICIÓN DE LA MÁQUINA

NOTA - A menos que estuviere expresamente indicado lo contrario, los números de posición de partes de la máquina se refieren a esta figura.



- | | |
|---|---|
| <p>A Placa de datos</p> <p>B Placa de datos del sistema</p> <p>1 Panel izquierdo</p> <p>2 Vitrina</p> <p>3 Panel trasero</p> <p>4 Superficie calentatazas</p> <p>5 Grifo de salida de vapor
Sentido horario: chorro de vapor abierto
Sentido antihorario: chorro de vapor cerrado</p> <p>6 Cajón para la introducción de cápsulas</p> <p>7 Panel de mandos</p> <p>8 Cajón para la introducción de cápsulas</p> <p>9 Botón de agua caliente</p> <p>10 Panel derecho</p> <p>11 Tapa</p> <p>12 Protección de goma</p> <p>13 Grifo de salida de agua caliente</p> <p>14 Pinza de bloqueo tubo</p> | <p>15 Cubeta de goteo</p> <p>16 Cajón de recogida de las cápsulas</p> <p>17 Protección de goma</p> <p>18 Cajón de recogida de las cápsulas</p> <p>19 Tubo de salida de vapor</p> <p>20 Tapa</p> <p>21 Interruptor general
"I" - Funciones eléctricas habilitadas -
Máquina activada - Testigo luminoso encendido.
"O" - Funciones eléctricas inhabilitadas -
Máquina apagada - Testigo luminoso de la tecla "I", apagado.</p> <p>22 Grupo de erogación de café</p> <p>23 Protección del grupo de erogación</p> <p>24 Regulación de la crema de leche</p> <p>25 Regulación de la temperatura</p> <p>26 Salida de leche</p> <p>27 Grupo de café</p> <p>28 Tolva de descarga de cápsulas</p> |
|---|---|

2 - NOTAS DE CONSULTA

2.1 Abreviaciones

- F. = Figura
- P. = Página
- Pr. = Párrafo
- T. = Tabla

2.2 Simbología utilizada

¡ATENCIÓN!

Prestar suma atención al significado de los símbolos: su función es la de no tener que repetir conceptos técnicos o advertencias de seguridad, por lo tanto se deben considerar "rememoraciones" propiamente dichas. Por eso, toda vez que hubiese alguna duda sobre su significado, consultar el listado de los símbolos.

	¡ATENCIÓN! - Informaciones concernientes a la seguridad del usuario y la integridad de la máquina.
	¡IMPORTANTE! - Llama la atención sobre un tema de suma importancia.
	Técnico de mantenimiento - Servicios de competencia exclusiva del personal con el cometido de llevar a cabo el mantenimiento extraordinario y las reparaciones.
	Máquina apagada - Trabajos a efectuar con la alimentación de energía eléctrica seccionada.
	Usuario - Trabajos que son de competencia del usuario de la máquina.

3 - USUARIO

Persona adulta con competencia exclusiva sobre las siguientes tareas:

- Manejo, cuidado y apagado de la máquina.
- Regulación de los parámetros de suministro.
- Vaciado del cajón de recogida de posos y cubeta de goteo.
- Limpieza externa de la máquina.



ATENCIÓN

Está prohibido el uso de la máquina por parte de niños, adolescentes o personas no autosuficientes.

4 - ENCARGADO DEL MANTENIMIENTO TÉCNICO

Persona con el cometido de llevar a cabo las siguientes tareas:

- Instalación, puesta en funcionamiento, regulación y puesta a punto de la máquina.
- Mantenimiento extraordinario, servicios de reparación y reemplazo de repuestos.

5 - EMPLEO DESTINADO DE LA MÁQUINA

Las máquinas objeto del presente manual han sido proyectadas, realizadas y protegidas para la erogación automática (programable) de bebidas:

- a base de café en cápsulas;
- a base de leche y café en cápsulas;
- agua caliente y vapor de agua para preparar y calentar bebidas;
- leche caliente.



IMPORTANTE

Cualquier otro uso que se le pudiera dar a las máquinas no fue previsto por el Fabricante, por lo cual este último se exime de toda responsabilidad por daños de cualquier naturaleza, generados por un empleo impropio de las mismas máquinas. El uso indebido, además, implica que quede sin efecto toda forma de garantía.

6 - ADVERTENCIAS Y CAUTELAS

Para el mantenimiento ordinario, no utilizar, por ningún motivo, detergentes, diluyentes, disolventes, etc.

La limpieza a realizar se restringe a las partes que no están bajo tensión eléctrica y se debe efectuar con productos neutros y biodegradables y siempre bien después de haber sacado el enchufe del tomacorriente.

El mantenimiento ordinario lo debe llevar a cabo personal competente o como mínimo, oportunamente advertido y capacitado y provisto de los requisitos psicofísicos necesarios, en el marco del pleno respeto de las instrucciones que están más adelante y en conformidad a las Normas de Salud y Seguridad vigentes.

Está terminantemente prohibido colocar o dejar sobre la máquina utensilios u otros objetos que potencialmente podrían ser perjudiciales para la seguridad de las personas o la integridad de la misma máquina.

Las modificaciones y manumisiones (incluso leves), así como el empleo de repuestos no originales, eximen al Fabricante de la responsabilidad por daños de cualquier naturaleza y dejan sin efecto todo derecho derivado de la garantía.

Utilizar exclusivamente agua potable.

NOTA: El agua no debe estar caliente.

Es indispensable alimentar la máquina con agua tratada con un dispositivo de descalcificación que garantice el cumplimiento de las limitaciones arriba indicadas. Asegurarse de que la red de distribución hídrica sea de agua potable con presiones comprendidas entre 1 y 8 Bar.

7 - PRECAUCIONES GENERALES

- **Antes de operar** con la unidad, cerciorarse, siempre y con carácter preventivo, de no tener dudas acerca del contenido del presente manual. El incumplimiento de las normas contenidas en el mismo exime al Fabricante de toda responsabilidad por daños de cualquier naturaleza a personas o cosas.
- **Conservar** esta edición para futuras referencias.
- **Verificar previamente** (en caso de nueva instalación), el respeto de las normas mínimas de seguridad, emplazamiento y condiciones de funcionamiento de la máquina, determinando condiciones ambientales (temperatura, humedad, iluminación) y aptitud de los espacios operativos.
- **En caso de desperfectos** en el cable de alimentación eléctrica, contactar a la Asistencia Técnica Autorizada o solicitar la intervención del técnico de mantenimiento.
- **No utilizar** la máquina al aire libre.
- **En los casos de mal funcionamiento**, solicitar siempre la intervención del técnico de mantenimiento.
- No está permitido utilizar chorros de agua para la limpieza.

8 - DATOS DE LA MÁQUINA

8.1 Datos de identificación

En la placa (A) están señalados los siguientes datos de identificación de la máquina:

- Fabricante y marca
- modelo
- n° de matrícula
- año de fabricación
- tensión eléctrica de alimentación (V) y frecuencia (Hz)
- potencia eléctrica absorbida (W)
- número de fases de la línea eléctrica
- presión admitida en la red hídrica (MPa)



IMPORTANTE

En caso de pedidos a los Centros de Asistencia Autorizados, indicar modelo y número de serie.

8.2 Características técnicas

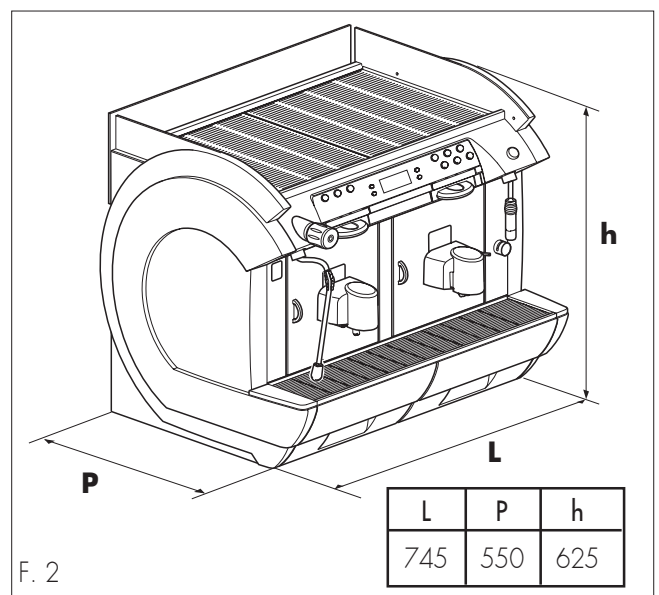
Tensión de alimentación 240V 60 Hz
 Longitud del cable de alimentación ... 1.700 mm
 Potencia instalada 5500 W
 Presión hídrica MPa0,1÷0,8 (1÷8 bar)
 Peso 66 kg



IMPORTANTE

Las máquinas se pueden programar para obtener dosificaciones que dispensen las bebidas según una amplia gama de variedad. La mayor parte de los componentes eléctricos está alimentada con 24 Vcc.

8.3 Medidas

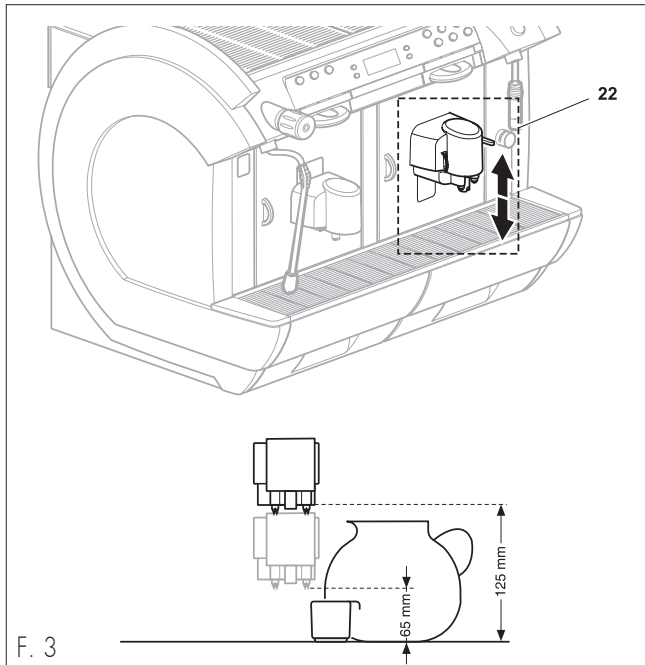


8.4 Grupo de erogación de café

La posición de este grupo (22) puede ser modificada para adaptarla a la altura del recipiente utilizado.

De hecho, el grupo de erogación se puede colocar en la parte superior o inferior.

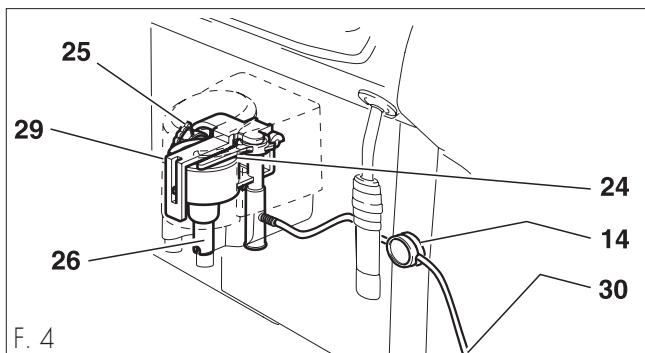
De esta manera, se pueden obtener diversas alturas de suministro.



8.5 Grupo del cappuccinatore

El grupo del cappuccinatore está compuesto por:

- tubo de aspiración de leche (30);
- pinza de bloqueo tubo (14);
- cappuccinatore (29);
- regulación de la cantidad de la crema (24);
- regulación de la temperatura (25);
- Salida de leche (26).



La leche empleada para el CAPPUCCINATORE se debe mantener y conservar en un aparato refrigerador a una temperatura que no supere los 4° C y no se debe dejar fuera del frigorífico durante un período superior a 30 minutos.

9 - DISPOSITIVOS DE SEGURIDAD



IMPORTANTE

Las máquinas objeto de la presente publicación están hechas en conformidad a las normativas específicas vigentes y, por lo tanto, están protegidas en todas sus partes potencialmente peligrosas.

Las **sobrepresiones** que se pudieran generar en el circuito hídrico destinado a la producción de vapor y agua caliente son interceptadas por 3 válvulas de seguridad.

Un **termostato** impide que en las calderas se tenga un calentamiento excesivo.

La **posición** del cajón de recogida de posos (16) y de la tapa (15) son controladas por 2 microinterruptores que determinan la detención del funcionamiento de la máquina si uno de los componentes no está situado correctamente (en ese caso, en el display aparecerá la indicación del componente fuera de lugar).

Un **contador** electrónico memoriza el número de erogaciones realizadas y permite la programación del mantenimiento ordinario.

Los **grifos de erogación de vapor (17)** y agua caliente (13) poseen protecciones de goma especiales (12 y 15) para poderlos aferrar y orientar aunque estén muy calientes.

9.1 Riesgos



Las características constructivas de las máquinas objeto de la presente publicación no permiten proteger al usuario contra el chorro directo de vapor o agua caliente.

Peligro de quemaduras - Durante la erogación de **agua caliente y vapor**, no dirigir los chorros contra sí mismos o terceras personas. Tomar el tubo sólo por las respectivas protecciones contra quemaduras (12 y 17).



IMPORTANTE

No utilizar contenedores que no hayan sido fabricados con material "para productos alimenticios".

10 - INSTALACIÓN



10.1 Notas sobre la ubicación

La máquina se debe instalar en un lugar seco y protegido, con:

- temperatura ambiente: +10°C + 25°C
- humedad máxima: 65%.

10.2 Posicionamiento de la máquina



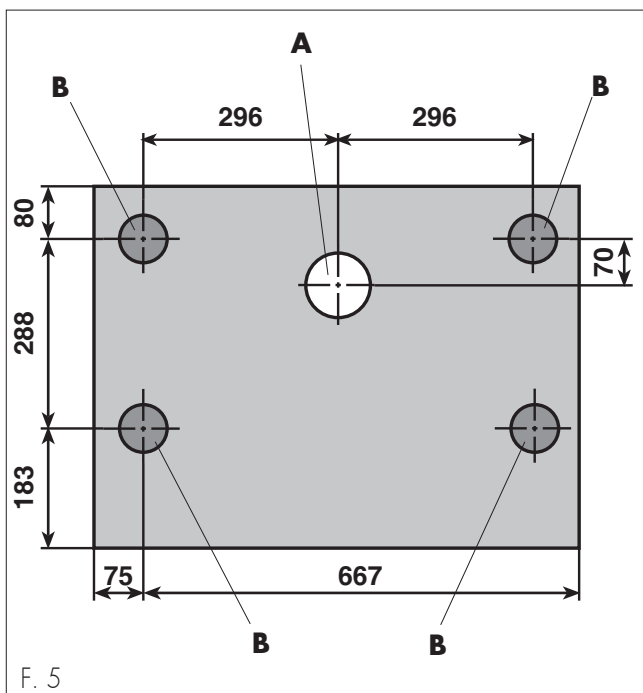
IMPORTANTE

Verificar que la superficie donde se instalará la máquina tenga dimensiones y robustez adecuadas para sostener de manera totalmente segura la misma máquina.

Taladrar la superficie para obtener un orificio de \varnothing 100 mm (A - F. 5).

Emplazar de manera definitiva la máquina sobre la superficie de apoyo (los círculos B - F. 5, indican la mejor posición de las patas ajustables).

Nivelar la máquina, regulando las patas ajustables (F - F. 7).



ATENCIÓN / IMPORTANTE

Para un correcto uso ergonómico de la máquina, se aconseja instalar el aparato sobre un plano de trabajo situado a una altura no inferior a 1m.

10.3 Conexión hídrica



ATENCIÓN

Water and waste connections shall comply with applicable federal states, or local codes.



ATENCIÓN

La dureza del agua no debe ser nunca superior a 8°F.

Es indispensable alimentar la máquina con agua tratada con un dispositivo de descalcificación que garantice el cumplimiento de las limitaciones arriba indicadas. Asegurarse de que la red de distribución hídrica sea de agua potable con presiones comprendidas entre 1 y 8 Bar.

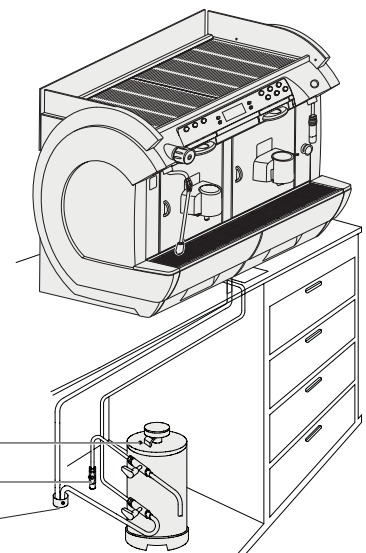
- Conectar el depurador (C) a la red hídrica (D).



IMPORTANTE

Antes de conectar el depurador a la máquina, realizar una lavado hasta que el agua se presente límpida; proceder entonces a la conexión del depurador a la máquina.

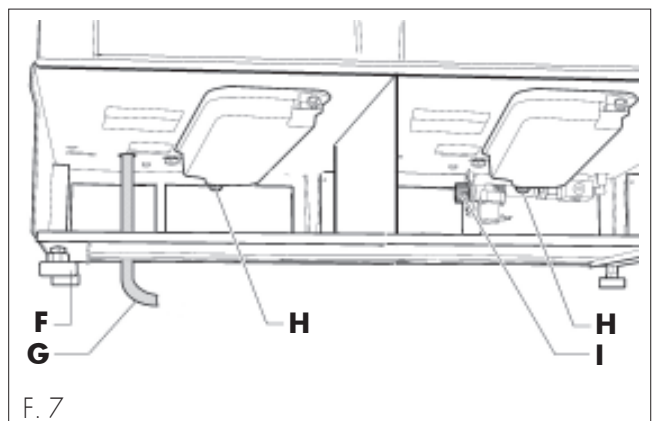
C - DEPURADOR
D - RED HÍDRICA
E - CONDUCTO DE
DESCARGA



Conectar un tubo de descarga al racor (H - F. 7) y fijarlo con una abrazadera de cremallera.

Conectar (exclusivamente con tubo y racores realizados en material "para productos alimenticios") la máquina a la red de distribución de agua potable, mediante el racor (I - F. 7).

Introducir los tubos de carga y descarga en el orificio A.



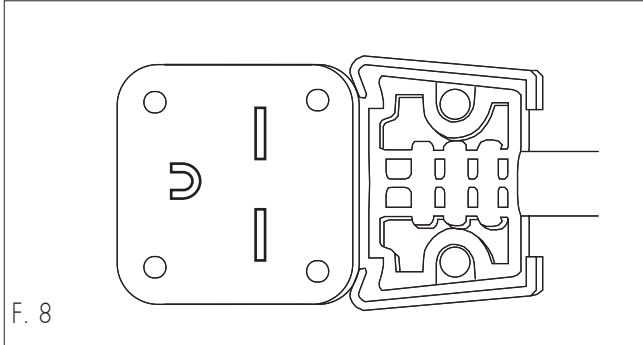
10.4 Conexión eléctrica



IMPORTANTE

La máquina se debe conectar a un sistema monofase y neutro de 240 V 60Hz.

Introducir el cable de alimentación eléctrica (G - F. 7) en el orificio A (F. 5).



F. 8



En función de la normativa vigente en el país de uso de la máquina, el cable de conexión a la línea eléctrica se deberá instalar con un interruptor omnipolar (con apertura mínima de los contactos de 3 mm).

- El interruptor omnipolar debe ser adecuado para el consumo de la máquina y capaz de interceptar todas las polaridades de la tensión.
- Verificar que los cables eléctricos del circuito sean apropiados para el consumo de la máquina.

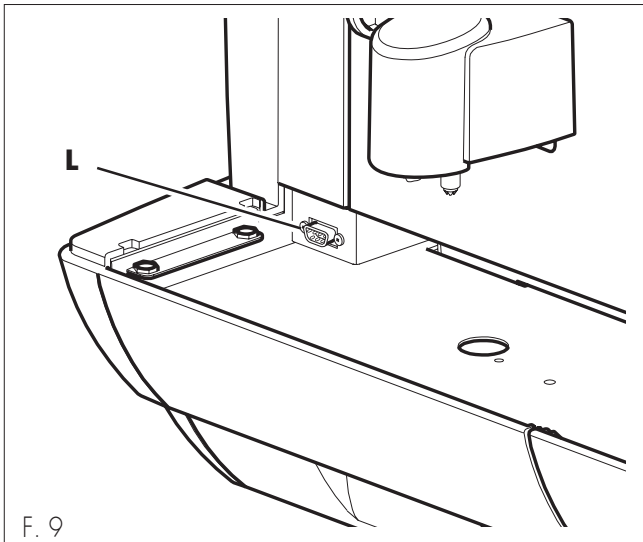


El punto de conexión (toma eléctrica o interruptor omnipolar) debe estar situado en un lugar donde el usuario pueda llegar fácilmente, para que en caso de necesidad pueda desconectar la máquina de la línea eléctrica.

Conectar el cable (G - F. 7) a la línea de alimentación eléctrica.

10.5 Conexión del puerto de serie

A través del puerto de serie RS 232, es posible conectar la máquina a un ordenador personal o los equipos proporcionados a los CENTROS DE ASISTENCIA AUTORIZADOS para las operaciones de programación (L - F. 9).



F. 9

11 - PRIMER ENCENDIDO DE LA MÁQUINA



Comprobar que los componentes extraíbles (15, 16 y 18) estén presentes y que las tapas (11 y 20) estén cerradas.

De no ser así, al encender de la máquina aparecerá en el display la indicación de componente fuera de lugar.

- Encender la máquina con el interruptor (21);
- Abrir el cajón para la introducción de cápsulas (6 y 8).
- Introducir la cápsula en el lugar correspondiente, tal y como se muestra en la figura F. 11
- Colocar la salida (22) de modo que se obtenga la altura adecuada para los recipientes que se van a utilizar (Pr. 8.4).
- Colocar un recipiente bajo el grupo de erogación.
- Pulsar la tecla correspondiente al tipo de bebida preseleccionada.



IMPORTANTE

Aunque las teclas ya estén programadas desde el principio con valores estándar, es necesario comprobar que la dosificación de la bebida suministrada sea la apropiada. De no ser así, proceder a programar las teclas de erogación (Pr. 12.6)

12 - USO DE LA MÁQUINA



ATENCIÓN

Antes de utilizar la máquina, es necesario haber leído atentamente la presente publicación y tener un buen conocimiento general de la misma máquina.



IMPORTANTE

Después de un período de inactividad de la máquina y antes de volver a ponerla en funcionamiento, se aconseja volver a leer el párrafo precedente "Primer encendido de la máquina".

12.1 Estados de la máquina

Con relación a la alimentación eléctrica, la máquina puede estar en las siguientes condiciones:

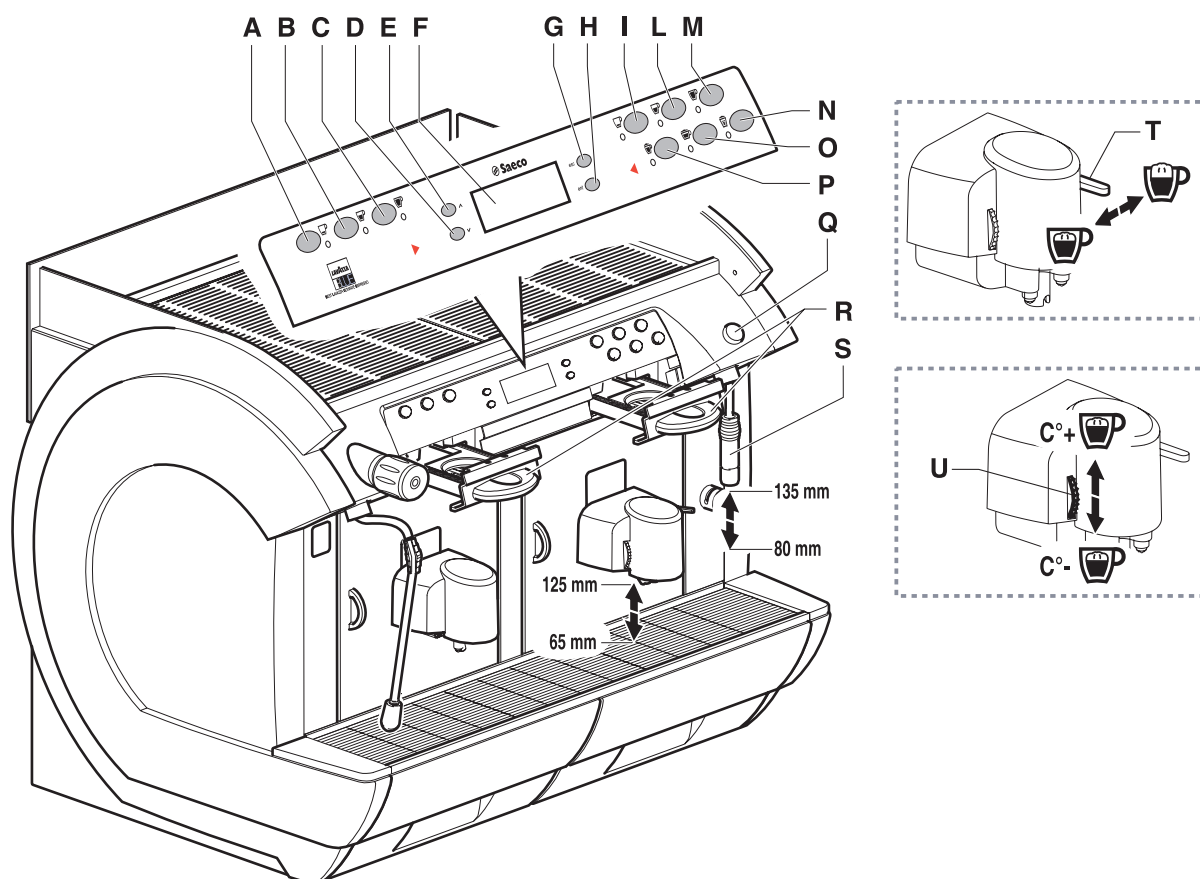
Apagada y aislada eléctricamente

- Interruptor general (21) en la posición "0" (o enchufe fuera del tomacorriente).
- Está activa únicamente la memoria de mantenimiento de los datos programados.

Encendida

- Interruptor general (21) en la posición "I" (o enchufe dentro del tomacorriente).
- Están activas todas las funciones y el display está encendido.

12.2 Descripción de los mandos










F. 10

A Tecla "Café corto"
B Tecla "Café medio"
C Tecla "Café largo"
D Tecla "Down"
E Tecla "Up"
F Display
G Tecla "Esc"

H Tecla "Ent"
I Tecla "Café corto"
L Tecla "Café medio"
M Tecla "Café largo"
N Tecla "Leche caliente"
O Tecla "Capuchino"
P Tecla "Café cortado"

Q Tecla "Agua caliente"
R Cajón para la introducción de cápsulas
S Grifo de salida de agua caliente
T Regulación de la crema de leche
U Regulación de la temperatura de la leche



CAFÉ	
corto  A, I	<ul style="list-style-type: none"> Las definiciones: "Café corto" - "Café medio" - "Café largo", indican los tres niveles distintos de erogación. En el momento de la entrega, las máquinas están programadas con valores estándares. (**)
medio  B, L	
largo  C, M	
CAFÉ CORTADO	
 P	<ul style="list-style-type: none"> Bebida compuesta por café a la que se agrega una pequeña cantidad de leche caliente. (*), (**), (***)
CAPUCHINO	
 O	<ul style="list-style-type: none"> Bebida compuesta por café y leche caliente. (*), (**), (***)
LECHE CALIENTE	
 N	<ul style="list-style-type: none"> Bebida compuesta únicamente por leche (*), (***)
AGUA CALIENTE	
 Q	<ul style="list-style-type: none"> Erogación obtenida utilizando agua

(*)

Regulación de la crema de leche

La cantidad de la crema para las bebidas depende de la posición de la palanca de regulación (**T**).

- Girando la palanca hacia la derecha, se obtiene una mayor cantidad de crema.
- Girando la palanca hacia la izquierda, se obtiene una menor cantidad de crema.

Regulación de la temperatura de la leche

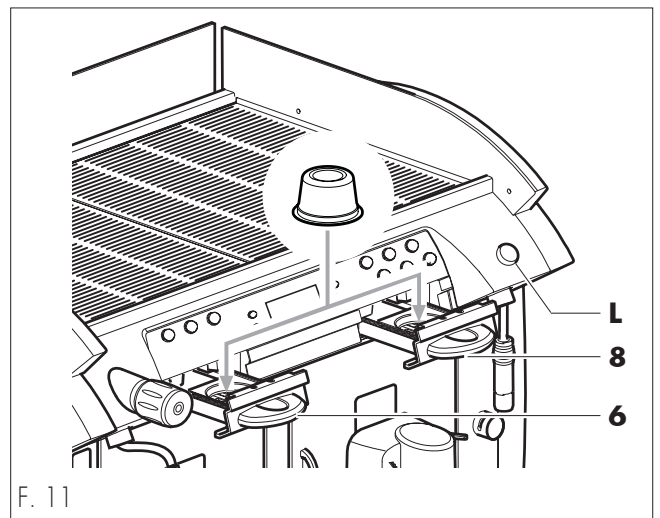
La temperatura de la leche depende de la posición de la palanca de regulación (**U**).

- Girando la palanca hacia arriba, se obtiene una temperatura más alta.
- Girando la palanca hacia abajo, se obtiene una temperatura más baja.

(**)




Introducción de las cápsulas

- Abrir el cajón para la introducción de cápsulas (**6** y **8**).
- Introducir la cápsula en el lugar correspondiente, tal y como se muestra en la figura F. 11



F. 11

(***)

NOTA: Las teclas ,  y  se pueden programar para erogar bebidas compuestas por leche y café en cualquiera de las combinaciones posibles. Para activar programaciones distintas a las predeterminadas, es necesario ponerse en contacto con un centro de asistencia autorizado.

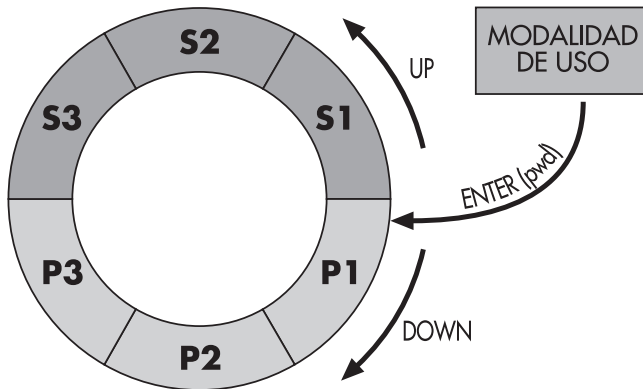
12.3 Funciones programables del menú



IMPORTANTE

La máquina admite algunos ajustes y predisposiciones mediante la programación del menú, que adecuan el producto suministrado a las exigencias del usuario

Para acceder con mayor facilidad al menú de programación, consulte la siguiente figura:



ent	(Enter)	entrar en el menú de programación (en el display aparecerá: "CONTRASEÑA"); pasar de un nivel del menú al siguiente; preparar un dato para su modificación; confirmar un dato o una función;
esc	(Escape)	anular las modificaciones no confirmadas; regresar al nivel anterior del menú hasta salir del mismo.
▼	(Down)	pasar a la siguiente opción dentro del mismo nivel de programación; aumentar el valor del dato que se desea modificar.
▲	(Up)	pasar a la opción anterior dentro del mismo nivel de programación; reducir el valor del dato que se desea modificar.

Algunas funciones prevén la programación incluso de uno o varios datos (ya programados con valores estándares).

Para intervenir en los valores de los datos que se deben reprogramar hay que:

- Seleccionar la función.
- Confirmar la función con la tecla "ENT" (Enter).
- El cursor parpadea y se ubica debajo del valor que se desea modificar.
- Utilizar las teclas ▲ (Up) o ▼ (Down) para variar su valor.
- Confirmar el dato modificado con la tecla "ENT" (Enter).

12.4 Estructura del menú de programación



IMPORTANTE

Las opciones del menú marcadas con un asterisco (*) sólo se pueden visualizar (y por tanto modificar) durante la programación con la "Contraseña técnico".

p1. Productos

p1.1. Global.....	118
p1.1.1. Autoprogram.....	118
p1.1.2. Preinfusión.....	118
p1.1.3. Descarga condens.....	118
p1.1.4. Limpieza final.....	118
p1.2. Detalles.....	119
p1.2.1. Producto izquierda.....	119
p1.2.2. Productos derecha.....	120-121
p1.2.3. Agua caliente.....	121

p2. Sistema

p2.1. Temperaturas.....	121
p2.1.1. Variac. temperatura.....	121
p2.1.2. Temperatura caldera*	
p2.2. Seguridad.....	122
p2.3.1. Contraseña operador.....	122
p2.3.2. Contraseña técnico*	
p2.3. Opciones.....	122
p2.3.1. Calientatazas.....	122
p2.3.2. Anticongelamiento*	
p2.3.3. Unidad de medida*	
p2.3.4. Buzzer*	
p2.4. Reloj.....	122
p2.4.1. Fecha.....	122
p2.4.2. Formato fecha.....	122
p2.4.3. Hora.....	122
p2.4.4. Formato hora.....	122

p3. Factory default *

s1. Asistencia

s1.1. Descalcificación.....	123
s1.1.1. Última descalcif.....	123
s1.1.2. Cantid. restante.....	123
s1.1.3. El limite del filtro.....	123
s1.1.4. Reset filter.....	123
s1.1.5. Habilitación filtro.....	123
s1.2. Drillers.....	123
s1.2.1. Warning enabled.....	123
s1.2.2. Left driller state.....	123
s1.2.3. Right driller state.....	123
s1.3. Test mode *	
s1.3.1. Master test *	
s1.3.2. Left coffee test *	
s1.3.3. Right coffee test *	
s1.3.4. Water/Steam test*	

s2. Info

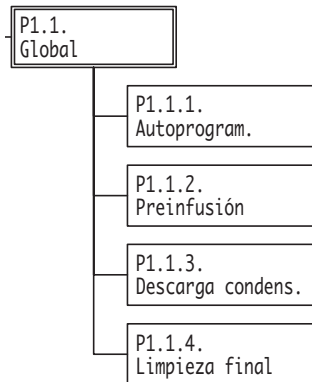
s2.1. Identificación.....	125
s2.1.1. Versión Software.....	125
s2.1.2. Código máquina.....	125
s2.2. Error log.....	125
s2.2.1. Errores.....	125
s2.2.2. Reset log *	
s2.3. Audit.....	126
s2.3.1. Contad. desde inic.....	126
s2.3.2. Contad. desde reset.....	126
s2.3.3. ResetAudit.....	126

s.3. Instalar/Desinstalar

s3.1. Instalación *	
s3.1.1. Idioma *	
s3.1.2. Código máquina *	
s3.1.3. Contraste display *	
s3.2. Desinstalación *	
s3.2.1. Vaciado caldera *	

12.5 Descripción de las funciones

- p1. Productos
 - p1.1. Global
 - p1.1.1. Autoprogram.**
 - p1.1.2. Preinfusión**
 - p1.1.3. Descarga condens.**
 - p1.1.4. Limpieza final**
 - p1.2. Detalles
 - p1.2.1. Producto izquierda
 - p1.2.2. Productos derecha
 - p1.2.3. Agua caliente
 - p2. Sistema
 - p2.1. Temperaturas
 - p2.1.1. Variac. temperatura
 - p2.1.2. Temperatura caldera
 - p2.2. Seguridad
 - p2.2.1. Contraseña operador
 - p2.2.2. Contraseña técnico
 - p2.3. Opciones
 - p2.3.1. Calientatazas
 - p2.3.2. Anticongelamiento
 - p2.3.3. Unidad de medida
 - p2.3.4. Buzzer
 - p2.4. Reloj
 - p2.4.1. Fecha
 - p2.4.2. Formato fecha
 - p2.4.3. Hora
 - p2.4.4. Formato hora
 - p3. Factory default.
 - s1. Asistencia
 - s1.1. Descalcificación
 - s1.1.1. Última descalcif.
 - s1.1.2. Cantid. restante
 - s1.1.3. El limite del filtro
 - s1.1.4. Reset filter
 - s1.1.5. Habilitación filtro
 - s1.2. Drillers
 - s1.2.1. Warning enabled
 - s1.2.2. Left driller state
 - s1.2.3. Right driller state
 - s1.3. Test mode
 - s1.3.1. Master test
 - s1.3.2. Left coffee test
 - s1.3.3. Right coffee test
 - s1.3.4. Water/Steam test
 - s2. Info
 - s2.1. Identificación
 - s2.1.1. Versión Software
 - s2.1.2. Código máquina
 - s2.2. Error log
 - s2.2.1. Errores
 - s2.2.2. Reset log
 - s2.3. Audit
 - s2.3.1. Contad. desde inic.
 - s2.3.2. Contad. desde reset
 - s2.3.3. Reset Audit
 - s3. Instalar/Desinstalar
 - s3.1. Instalación
 - s3.1.1. Idioma
 - s3.1.2. Código máquina
 - s3.1.3. Contraste display
 - s3.2. Desinstalación
 - s3.2.1. Vaciado caldera



P1.1 GLOBAL

P1.1.1 Autoprogram.

Esta función permite programar la dosis de la bebida. Para programar la dosis, pulsar la tecla "ENT" y acceder a la opción de menú "P.1.1.1.1 AUTOPROG. EN CURSO":

- para programar las teclas ☕, ☕ y ☕, pulsar la tecla preseleccionada para iniciar la programación, volver a pulsar la tecla para memorizar la dosis deseada.
- para programar las teclas ☕, ☕ y ☕, pulsar la tecla preseleccionada para iniciar la programación del producto, volver a pulsar la tecla para memorizar la dosis de café deseada y volver a pulsar la tecla para memorizar la dosis de leche deseada.

Una vez finalizada la programación, en el display se visualizarán los valores memorizados.

P1.1.2 Preinfusión

Esta función permite efectuar una breve pausa en la primera etapa de erogación. De este modo puede mejorar la calidad del café, ya que durante la pausa se lleva a cabo una infusión previa con la primera parte de agua recibida.

La pausa se puede programar con valores ascendentes: 0, +, ++,+++.

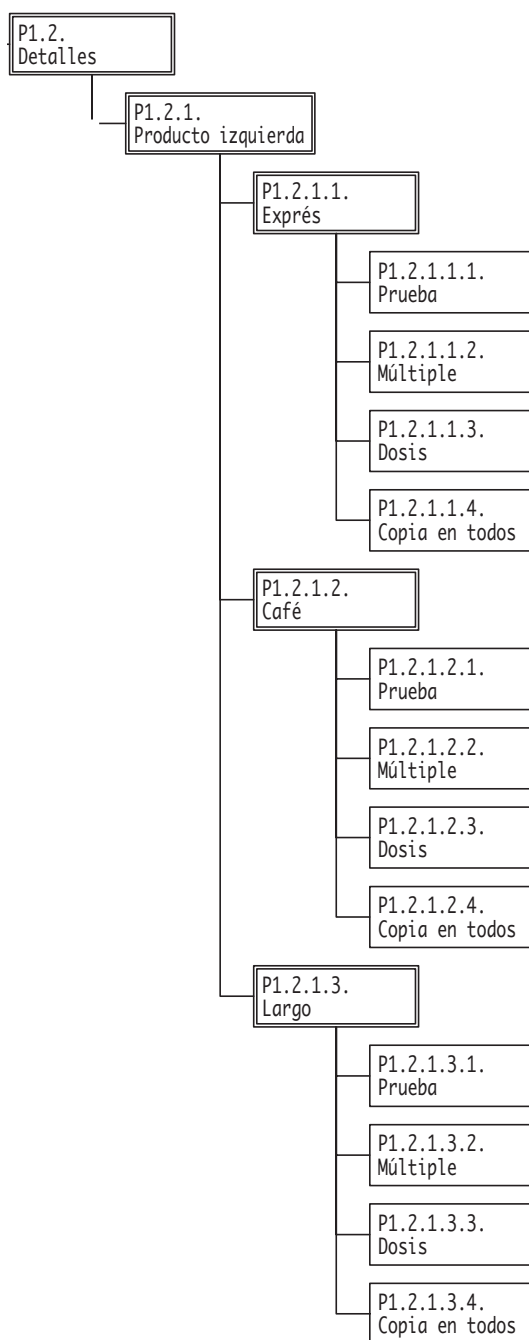
P1.1.3 Descarga condens.

Esta función indica el tiempo de apertura de la electroválvula que descarga la condensa que se forma en el tubo que lleva el vapor hasta el cappuccinatore. Se puede regular de 0 a 8 segundos.

P1.1.4 Limpieza final

Esta función indica la duración del lavado con vapor que se realiza al final de cada suministro de leche. Se puede regular de 0 a 8 segundos.

- p1. Productos
 - p1.1. Global
 - p1.1.1. Autoprogram.
 - p1.1.2. Preinfusión
 - p1.1.3. Descarga condens.
 - p1.1.4. Limpieza final
 - p1.2. Detalles
 - p1.2.1. Producto izquierda**
 - p1.2.2. Productos derecha
 - p1.2.3. Agua caliente
 - p2. Sistema
 - p2.1. Temperaturas
 - p2.1.1. Variac. temperatura
 - p2.1.2. Temperatura caldera
 - p2.2. Seguridad
 - p2.2.1. Contraseña operador
 - p2.2.2. Contraseña técnico
 - p2.3. Opciones
 - p2.3.1. Calientatazas
 - p2.3.2. Anticongelamiento
 - p2.3.3. Unidad de medida
 - p2.3.4. Buzzer
 - p2.4. Reloj
 - p2.4.1. Fecha
 - p2.4.2. Formato fecha
 - p2.4.3. Hora
 - p2.4.4. Formato hora
 - p3. Factory default.
 - s1. Asistencia
 - s1.1. Descalcificación
 - s1.1.1. Última descalcif.
 - s1.1.2. Cantid. restante
 - s1.1.3. El limite del filtro
 - s1.1.4. Reset filter
 - s1.1.5. Habilitación filtro
 - s1.2. Drillers
 - s1.2.1. Warning enabled
 - s1.2.2. Left driller state
 - s1.2.3. Right driller state
 - s1.3. Test mode
 - s1.3.1. Master test
 - s1.3.2. Left coffee test
 - s1.3.3. Right coffee test
 - s1.3.4. Water/Steam test
 - s2. Info
 - s2.1. Identificación
 - s2.1.1. Versión Software
 - s2.1.2. Código máquina
 - s2.2. Error log
 - s2.2.1. Errores
 - s2.2.2. Reset log
 - s2.3. Audit
 - s2.3.1. Contad. desde inic.
 - s2.3.2. Contad. desde reset
 - s2.3.3. Reset Audit
 - s3. Instalar/Desinstalar
 - s3.1. Instalación
 - s3.1.1. Idioma
 - s3.1.2. Código máquina
 - s3.1.3. Contraste display
 - s3.2. Desinstalación
 - s3.2.1. Vaciado caldera



P1.2 DETALLES

P1.2.1 Producto izquierda

Permite configurar los parámetros de las bebidas de la parte izquierda de la máquina:

P1.2.1.1. Exprés

Se visualiza el producto completo y, confirmando con Enter, se pueden seleccionar y configurar los parámetros:

Prueba: permite suministrar el producto.

Múltiple: permite activar o desactivar la dosis doble.

Dosis: permite configurar la cantidad de agua de la bebida.

Copia en todos: permite configurar automáticamente el EXPRES de la parte derecha de la máquina como el de la parte izquierda.

P1.2.1.2. Café

Se visualiza el producto completo y, confirmando con Enter, se pueden seleccionar y configurar los parámetros:

Prueba: permite suministrar el producto.

Múltiple: permite activar o desactivar la dosis doble.

Dosis: permite configurar la cantidad de agua de la bebida.

Copia en todos: permite configurar automáticamente el CAFÉ de la parte derecha de la máquina como el de la parte izquierda.

P1.2.1.3. Largo

Se visualiza el producto completo y, confirmando con Enter, se pueden seleccionar y configurar los parámetros:

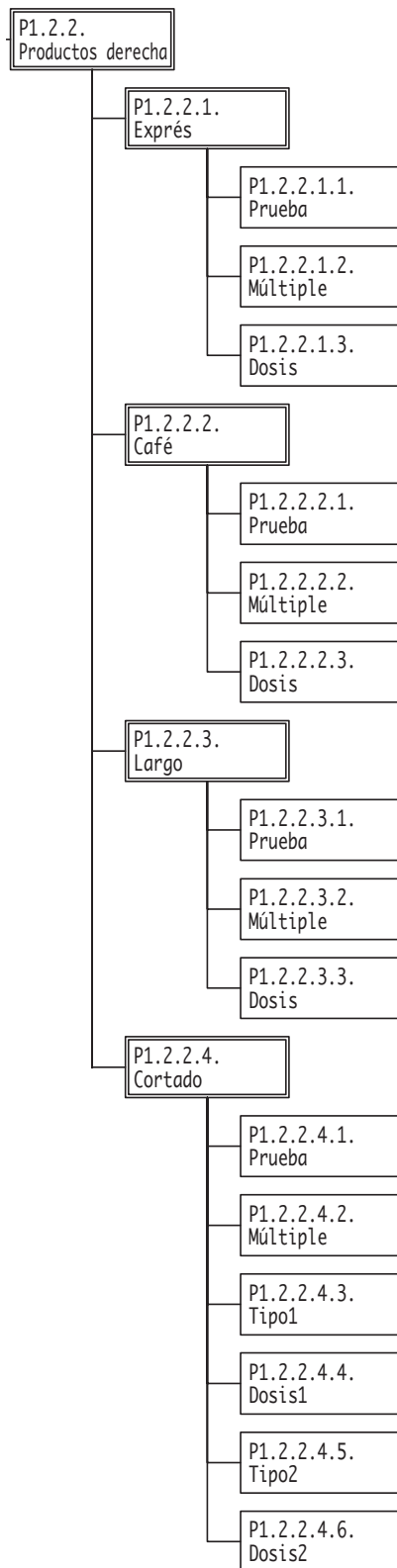
Prueba: permite suministrar el producto.

Múltiple: permite activar o desactivar la dosis doble.

Dosis: permite configurar la cantidad de agua de la bebida.

Copia en todos: permite configurar automáticamente el café LARGO de la parte derecha de la máquina como el de la parte izquierda.

- p1. Productos
 - p1.1. Global
 - p1.1.1. Autoprogram.
 - p1.1.2. Preinfusión
 - p1.1.3. Descarga condens.
 - p1.1.4. Limpieza final
 - p1.2. Detalles
 - p1.2.1. Producto izquierda
 - p1.2.2. Productos derecha**
 - p1.2.3. Agua caliente
 - p2. Sistema
 - p2.1. Temperaturas
 - p2.1.1. Variac. temperatura
 - p2.1.2. Temperatura caldera
 - p2.2. Seguridad
 - p2.2.1. Contraseña operador
 - p2.2.2. Contraseña técnico
 - p2.3. Opciones
 - p2.3.1. Calientatazas
 - p2.3.2. Anticongelamiento
 - p2.3.3. Unidad de medida
 - p2.3.4. Buzzer
 - p2.4. Reloj
 - p2.4.1. Fecha
 - p2.4.2. Formato fecha
 - p2.4.3. Hora
 - p2.4.4. Formato hora
 - p3. Factory default.
 - s1. Asistencia
 - s1.1. Descalcificación
 - s1.1.1. Última descalcif.
 - s1.1.2. Cantid. restante
 - s1.1.3. El limite del filtro
 - s1.1.4. Reset filter
 - s1.1.5. Habilitación filtro
 - s1.2. Drillers
 - s1.2.1. Warning enabled
 - s1.2.2. Left driller state
 - s1.2.3. Right driller state
 - s1.3. Test mode
 - s1.3.1. Master test
 - s1.3.2. Left coffee test
 - s1.3.3. Right coffee test
 - s1.3.4. Water/Steam test
 - s2. Info
 - s2.1. Identificación
 - s2.1.1. Versión Software
 - s2.1.2. Código máquina
 - s2.2. Error log
 - s2.2.1. Errores
 - s2.2.2. Reset log
 - s2.3. Audit
 - s2.3.1. Contad. desde inic.
 - s2.3.2. Contad. desde reset
 - s2.3.3. Reset Audit
 - s3. Instalar/Desinstalar
 - s3.1. Instalación
 - s3.1.1. Idioma
 - s3.1.2. Código máquina
 - s3.1.3. Contraste display
 - s3.2. Desinstalación
 - s3.2.1. Vaciado caldera



P1.2.2 Productos derecha

Permite configurar los parámetros de las bebidas de la parte derecha de la máquina:

P1.2.2.1. Expres

Se visualiza el producto completo y, confirmando con Enter, se pueden seleccionar y configurar los parámetros:

Prueba: permite suministrar el producto.

Múltiple: permite activar o desactivar la dosis doble.

Dosis: permite configurar la cantidad de agua de la bebida.

P1.2.2.2. Café

Se visualiza el producto completo y, confirmando con Enter, se pueden seleccionar y configurar los parámetros:

Prueba: permite suministrar el producto.

Múltiple: permite activar o desactivar la dosis doble.

Dosis: permite configurar la cantidad de agua de la bebida.

P1.2.2.3. Largo




Se visualiza el producto completo y, confirmando con Enter, se pueden seleccionar y configurar los parámetros:

Prueba: permite suministrar el producto.

Múltiple: permite activar o desactivar la dosis doble.

Dosis: permite configurar la cantidad de agua de la bebida.



Keys ,  y  can be preset for brewing beverages of any possible combination of milk and coffee.

P1.2.2.4. Cortado

Se visualiza el producto completo y, confirmando con Enter, se pueden seleccionar y configurar los parámetros:

Prueba: permite suministrar el producto.

Múltiple: permite activar o desactivar la dosis doble.

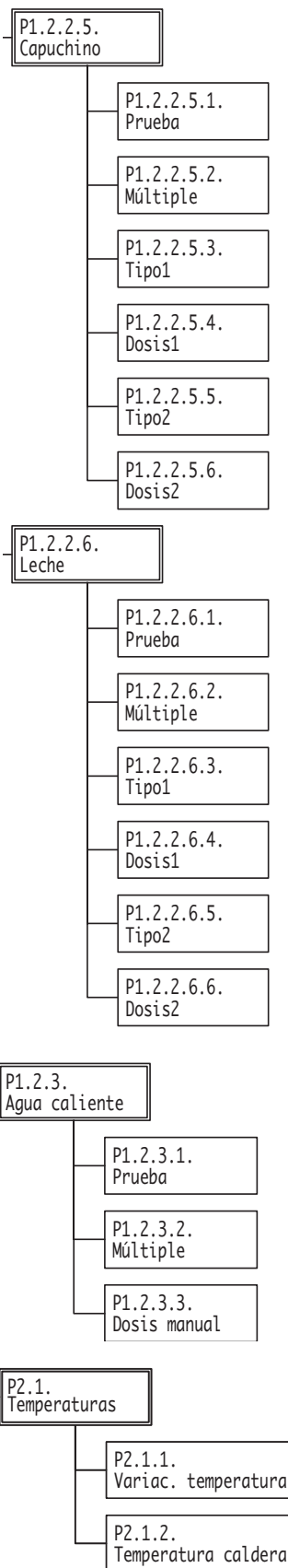
Tipo 1: permite configurar el producto 1 (CAFÉ).

Dosis 1: permite configurar la cantidad de agua de la producto 1.

Tipo 2: permite configurar el producto 2 (LECHE).

Dosis 2: permite configurar el tiempo de suministro del producto 2.

- p1. Productos
 - p1.1. Global
 - p1.1.1. Autoprogram.
 - p1.1.2. Preinfusión
 - p1.1.3. Descarga condens.
 - p1.1.4. Limpieza final
 - p1.2. Detalles
 - p1.2.1. Producto izquierda
 - p1.2.2. Productos derecha**
 - p1.2.3. Agua caliente
- p2. Sistema
 - p2.1. Temperaturas**
 - p2.1.1. Variac. temperatura**
 - p2.1.2. Temperatura caldera**
 - p2.2. Seguridad
 - p2.2.1. Contraseña operador
 - p2.2.2. Contraseña técnico
 - p2.3. Opciones
 - p2.3.1. Calientatazas
 - p2.3.2. Anticongelamiento
 - p2.3.3. Unidad de medida
 - p2.3.4. Buzzer
 - p2.4. Reloj
 - p2.4.1. Fecha
 - p2.4.2. Formato fecha
 - p2.4.3. Hora
 - p2.4.4. Formato hora
- p3. Factory default.
 - s1. Asistencia
 - s1.1. Descalcificación
 - s1.1.1. Última descalcif.
 - s1.1.2. Cantid. restante
 - s1.1.3. El límite del filtro
 - s1.1.4. Reset filter
 - s1.1.5. Habilitación filtro
 - s1.2. Drillers
 - s1.2.1. Warning enabled
 - s1.2.2. Left driller state
 - s1.2.3. Right driller state
 - s1.3. Test mode
 - s1.3.1. Master test
 - s1.3.2. Left coffee test
 - s1.3.3. Right coffee test
 - s1.3.4. Water/Steam test
 - s2. Info
 - s2.1. Identificación
 - s2.1.1. Versión Software
 - s2.1.2. Código máquina
 - s2.2. Error log
 - s2.2.1. Errores
 - s2.2.2. Reset log
 - s2.3. Audit
 - s2.3.1. Contad. desde inic.
 - s2.3.2. Contad. desde reset
 - s2.3.3. Reset Audit
- s3. Instalar/Desinstalar
 - s3.1. Instalación
 - s3.1.1. Idioma
 - s3.1.2. Código máquina
 - s3.1.3. Contraste display
 - s3.2. Desinstalación
 - s3.2.1. Vaciado caldera



P1.2.2.5. Capuchino

Se visualiza el producto completo y, confirmando con Enter, se pueden seleccionar y configurar los parámetros:

Prueba: permite suministrar el producto.

Múltiple: permite activar o desactivar la dosis doble.

Tipo 1: permite configurar el producto 1 (LECHE).

Dosis 1: permite configurar el tiempo de erogación del producto 1.

Tipo 2: permite configurar el producto 2 (CAFÉ).

Dosis 2: permite configurar la cantidad de agua de la producto 2.

P1.2.2.6. Leche

Se visualiza el producto completo y, confirmando con Enter, se pueden seleccionar y configurar los parámetros:

Prueba: permite suministrar el producto.

Múltiple: permite activar o desactivar la dosis doble.

Tipo 1: permite configurar el producto 1 (LECHE).

Dosis 1: permite configurar el tiempo de erogación del producto 1.

Tipo 2: -

Dosis 2: -

P1.2.3 Agua caliente

Permite configurar los parámetros del agua caliente. Se pueden seleccionar y configurar los parámetros:

Prueba: permite suministrar el agua caliente.

Múltiple: permite activar o desactivar la posibilidad de realizar hasta ocho erogaciones. Función no implementada.

Dosis manual: permite configurar la cantidad de agua que se suministrará en cada selección.

P2.1 TEMPERATURAS

Para cada erogación de café, es posible modificar la temperatura del agua utilizada en la erogación y programada durante la instalación.

P2.1.1. Variac. temperatura

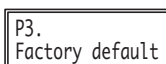
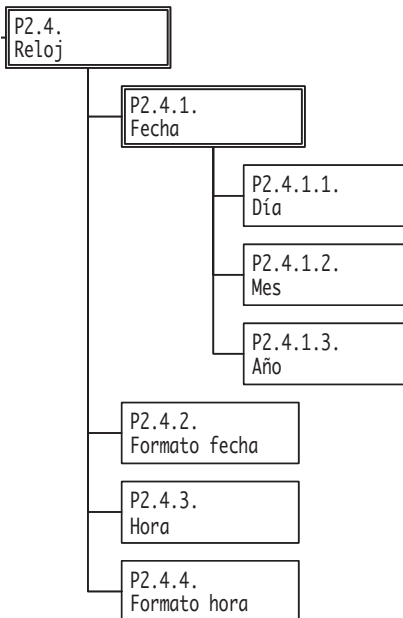
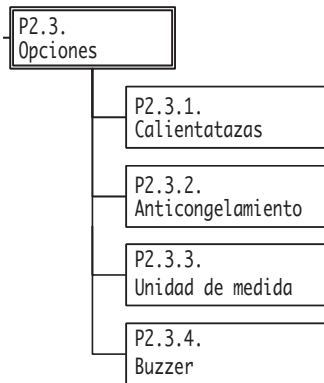
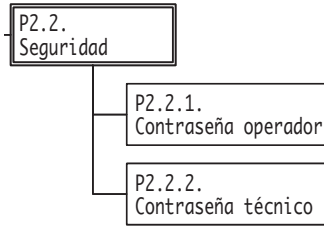
Permite programar la variación de temperatura para ambos grupos: el valor predeterminado es la temperatura configurada y la variación se puede llevar a cabo con "+" y "-":

- confirmando con "+", aumentará la temperatura.

- confirmando con "-", disminuirá la temperatura.

P2.1.2. Temperatura caldera (sólo técnico)

- p1. Productos
 - p1.1. Global
 - p1.1.1. Autoprogram.
 - p1.1.2. Preinfusión
 - p1.1.3. Descarga condens.
 - p1.1.4. Limpieza final
 - p1.2. Detalles
 - p1.2.1. Producto izquierda
 - p1.2.2. Productos derecha
 - p1.2.3. Agua caliente
- p2. Sistema
 - p2.1. Temperaturas
 - p2.1.1. Variac. temperatura
 - p2.1.2. Temperatura caldera
 - p2.2. Seguridad
 - p2.2.1. Contraseña operador
 - p2.2.2. Contraseña técnico
 - p2.3. Opciones
 - p2.3.1. Calientatazas
 - p2.3.2. Anticongelamiento
 - p2.3.3. Unidad de medida
 - p2.3.4. Buzzer
 - p2.4. Reloj
 - p2.4.1. Fecha
 - p2.4.1.1. Día
 - p2.4.1.2. Mes
 - p2.4.1.3. Año
 - p2.4.2. Formato fecha
 - p2.4.3. Hora
 - p2.4.4. Formato hora
- p3. Factory default.
 - s1. Asistencia
 - s1.1. Descalcificación
 - s1.1.1. Última descalcif.
 - s1.1.2. Cantid. restante
 - s1.1.3. El límite del filtro
 - s1.1.4. Reset filter
 - s1.1.5. Habilitación filtro
 - s1.2. Drillers
 - s1.2.1. Warning enabled
 - s1.2.2. Left driller state
 - s1.2.3. Right driller state
 - s1.3. Test mode
 - s1.3.1. Master test
 - s1.3.2. Left coffee test
 - s1.3.3. Right coffee test
 - s1.3.4. Water/Steam test
 - s2. Info
 - s2.1. Identificación
 - s2.1.1. Versión Software
 - s2.1.2. Código máquina
 - s2.2. Error log
 - s2.2.1. Errores
 - s2.2.2. Reset log
 - s2.3. Audit
 - s2.3.1. Contad. desde inic.
 - s2.3.2. Contad. desde reset
 - s2.3.3. Reset Audit
 - s3. Instalar/Desinstalar
 - s3.1. Instalación
 - s3.1.1. Idioma
 - s3.1.2. Código máquina
 - s3.1.3. Contraste display
 - s3.2. Desinstalación
 - s3.2.1. Vaciado caldera



P2.2 SEGURIDAD

Esta función permite asignar una contraseña para acceder a la programación. Si no ha sido asignada una contraseña, se entra directamente en el menú de programación.

P2.2.1. Contraseña operador

Configurando esta contraseña, el usuario de la máquina no está autorizado para intervenir en algunas opciones. (ver párr. "12.4 Estructura del menú de programación")

P2.2.2. Contraseña técnico (sólo técnico)

P2.3 OPCIONES

Permite habilitar algunas funciones de carácter general:

P2.3.1. Calientatazas

Confirmando "ACTIVADA", se obtiene el encendido de la superficie calientatazas junto con el encendido de la máquina. Confirmando "DESACTIVADA", la superficie calientatazas queda siempre apagada.

P2.3.2. Anticongelamiento (sólo técnico)

P2.3.3. Unidad de medida (sólo técnico)

P2.3.4. Buzzer (sólo técnico)

P2.4 RELOJ

Función que permite ajustar el calendario y el reloj de la máquina.

P2.4.1. Fecha

P2.4.1.1. Día

Permite modificar el número del día.

P2.4.1.2. Mes

Permite modificar el mes.

P2.4.1.3. Año

Permite modificar el año.

P2.4.2. Formato fecha

Permite modificar el formato de la fecha.

P2.4.3. Hora

Permite modificar la hora.

P2.4.4. Formato hora

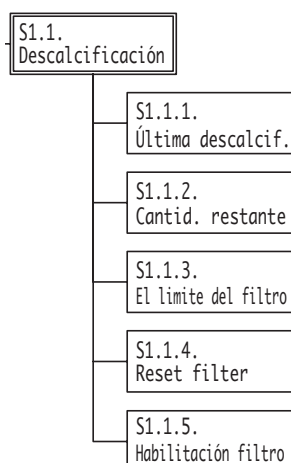
Permite modificar el formato de la hora.

P3. RESET DE FÁBRICA

(sólo técnico)

- p1. Productos
 - p1.1. Global
 - p1.1.1. Autoprogram.
 - p1.1.2. Preinfusión
 - p1.1.3. Descarga condens.
 - p1.1.4. Limpieza final
 - p1.2. Detalles
 - p1.2.1. Producto izquierda
 - p1.2.2. Productos derecha
 - p1.2.3. Agua caliente
 - p2. Sistema
 - p2.1. Temperaturas
 - p2.1.1. Variac. temperatura
 - p2.1.2. Temperatura caldera
 - p2.2. Seguridad
 - p2.2.1. Contraseña operador
 - p2.2.2. Contraseña técnico
 - p2.3. Opciones
 - p2.3.1. Calientatazas
 - p2.3.2. Anticongelamiento
 - p2.3.3. Unidad de medida
 - p2.3.4. Buzzer
 - p2.4. Reloj
 - p2.4.1. Fecha
 - p2.4.2. Formato fecha
 - p2.4.3. Hora
 - p2.4.4. Formato hora
 - p3. Factory default.
- s1. Asistencia
 - s1.1. Descalcificación
 - s1.1.1. Última descalcif.
 - s1.1.2. Cantid. restante
 - s1.1.3. El limite del filtro
 - s1.1.4. Reset filter
 - s1.1.5. Habilidadación filtro
 - s1.2. Drillers
 - s1.2.1. Warning enabled
 - s1.2.2. Left driller state
 - s1.2.2.1. Last changed
 - s1.2.2.2. Remaining autonomy
 - s1.2.2.3. Change now
 - s1.2.3. Right driller state
 - s1.2.3.1. Last changed
 - s1.2.3.2. Remaining autonomy
 - s1.2.3.3. Change now
 - s1.3. Test mode
 - s1.3.1. Master test
 - s1.3.2. Left coffee test
 - s1.3.3. Right coffee test
 - s1.3.4. Water/Steam test
- s2. Info
 - s2.1. Identificación
 - s2.1.1. Versión Software
 - s2.1.2. Código máquina
 - s2.2. Error log
 - s2.2.1. Errores
 - s2.2.2. Reset log
 - s2.3. Audit
 - s2.3.1. Contad. desde inic.
 - s2.3.2. Contad. desde reset
 - s2.3.3. Reset Audit
- s3. Instalar/Desinstalar
 - s3.1. Instalación
 - s3.1.1. Idioma
 - s3.1.2. Código máquina
 - s3.1.3. Contraste display
 - s3.2. Desinstalación
 - s3.2.1. Vaciado caldera

12.6 Estructura del menú de servicio



S. 1.1 DESCALCIFICACIÓN

S1.1.1. Última descalcif.

Permite visualizar la fecha de la última descalcificación.

S1.1.2. Cantid. restante

Permite visualizar los litros que quedan antes de realizar la descalcificación.

S1.1.3. El limite del filtro

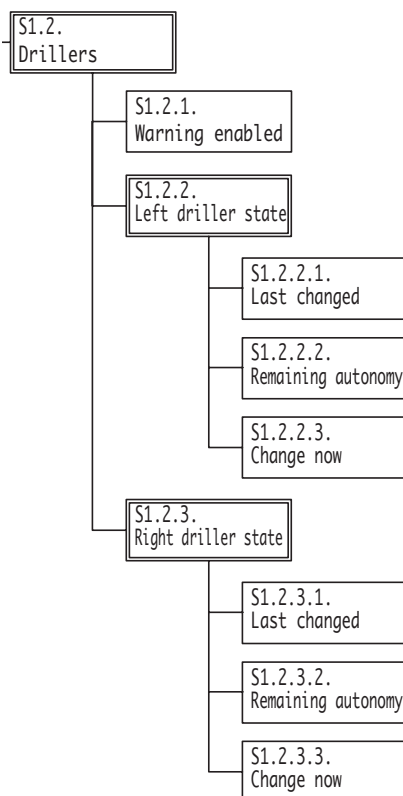
Permite configurar los litros de autonomía del filtro. Pulsar Enter para configurar los litros.

S1.1.4. Reset filter

Permite realizar el procedimiento para llevar a cabo la descalcificación.

S1.1.5. Habilidadación filtro

Función que permite habilitar/inhabilitar la visualización del aviso de intervención.



S1.2. DRILLERS

S1.2.1. Warning enabled

Función que permite habilitar/inhabilitar el aviso de sustitución de los perforadores.

S1.2.2. Left driller state

S1.2.2.1. Last changed

Visualiza la última sustitución de los perforadores.

S1.2.2.2. Remaining autonomy

Visualiza la autonomía restante de los perforadores.

S1.2.2.3. Change now (sólo técnico)

S1.2.3. Right driller state

S1.2.3.1. Last changed

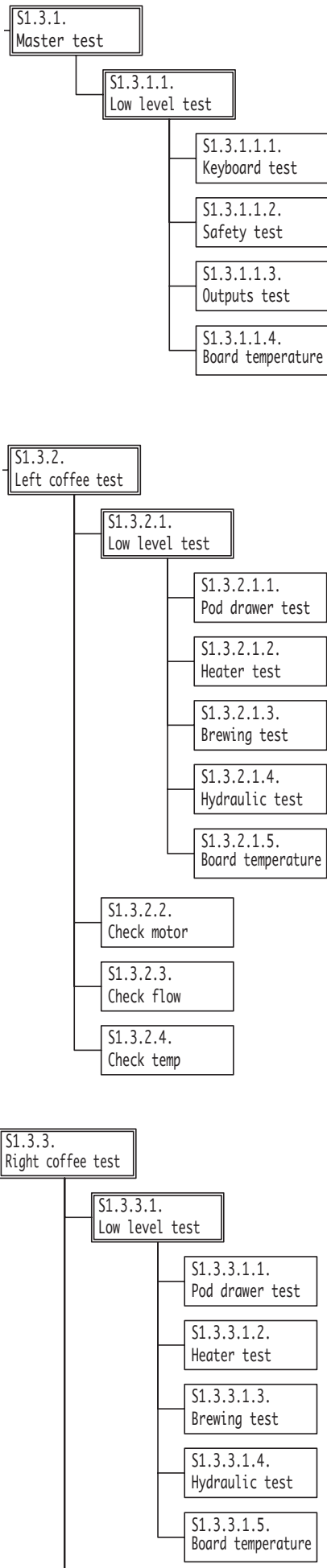
Visualiza la última sustitución de los perforadores.

S1.2.3.2. Remaining autonomy

Visualiza la autonomía restante de los perforadores.

S1.2.3.3. Change now (sólo técnico)

- p1. Productos
- p1.1. Global
- p1.1.1. Autoprogram.
- p1.1.2. Preinfusión
- p1.1.3. Descarga condens.
- p1.1.4. Limpieza final
- p1.2. Detalles
- p1.2.1. Producto izquierda
- p1.2.2. Productos derecha
- p1.2.3. Agua caliente
- p2. Sistema
- p2.1. Temperaturas
- p2.1.1. Variac. temperatura
- p2.1.2. Temperatura caldera
- p2.2. Seguridad
- p2.2.1. Contraseña operador
- p2.2.2. Contraseña técnico
- p2.3. Opciones
- p2.3.1. Calientatazas
- p2.3.2. Anticongelamiento
- p2.3.3. Unidad de medida
- p2.3.4. Buzzer
- p2.4. Reloj
- p2.4.1. Fecha
- p2.4.2. Formato fecha
- p2.4.3. Hora
- p2.4.4. Formato hora
- p3. Factory default.
- s1. Asistencia
- s1.1. Descalcificación
- s1.1.1. Última descalcif.
- s1.1.2. Cantid. restante
- s1.1.3. El limite del filtro
- s1.1.4. Reset filter
- s1.1.5. Habilidadación filtro
- s1.2. Drillers
- s1.2.1. Warning enabled
- s1.2.2. Left driller state
- s1.2.3. Right driller state
- s1.3. Test mode**
- s1.3.1. Master test**
- s1.3.2. Left coffee test**
- s1.3.3. Right coffee test**
- s1.3.4. Water/Steam test
- s2. Info
- s2.1. Identificación
- s2.1.1. Versión Software
- s2.1.2. Código máquina
- s2.2. Error log
- s2.2.1. Errores
- s2.2.2. Reset log
- s2.3. Audit
- s2.3.1. Contad. desde inic.
- s2.3.2. Contad. desde reset
- s2.3.3. Reset Audit
- s3. Instalar/Desinstalar
- s3.1. Instalación
- s3.1.1. Idioma
- s3.1.2. Código máquina
- s3.1.3. Contraste display
- s3.2. Desinstalación
- s3.2.1. Vaciado caldera



S1.3. TEST MODE

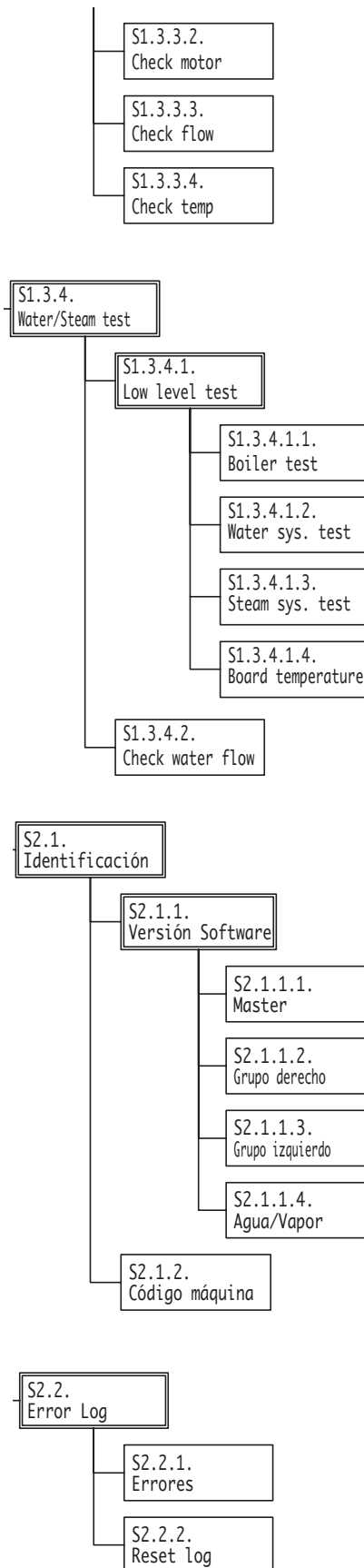
- S1.3.1. Master test (sólo técnico)
 - S1.3.1.1. Low level test (sólo técnico)
 - S1.3.1.1.1. Keyboards test (sólo técnico)
 - S1.3.1.1.2. Safety test (sólo técnico)
 - S1.3.1.1.3. Outputs test (sólo técnico)
 - S1.3.1.1.4. Board temperature (sólo técnico)

- S1.3.2. Left coffee test (sólo técnico)
 - S1.3.2.1. Low level test (sólo técnico)
 - S1.3.2.1.1. Pod drawer test (sólo técnico)
 - S1.3.2.1.2. Heater test (sólo técnico)
 - S1.3.2.1.3. Brewing test (sólo técnico)
 - S1.3.2.1.4. Hydraulic test (sólo técnico)
 - S1.3.2.1.5. Board temperature (sólo técnico)

- S1.3.2.2. Check motor (sólo técnico)
- S1.3.2.3. Check flow (sólo técnico)
- S1.3.2.4. Check temp (sólo técnico)

- S1.3.3. Right coffee test (sólo técnico)
 - S1.3.3.1. Low level test (sólo técnico)
 - S1.3.3.1.1. Pod drawer test (sólo técnico)
 - S1.3.3.1.2. Heater test (sólo técnico)
 - S1.3.3.1.3. Brewing test (sólo técnico)
 - S1.3.3.1.4. Hydraulic test (sólo técnico)
 - S1.3.3.1.5. Board temperature (sólo técnico)

- p1. Productos
- p1.1. Global
- p1.1.1. Autoprogram.
- p1.1.2. Preinfusión
- p1.1.3. Descarga condens.
- p1.1.4. Limpieza final
- p1.2. Detalles
- p1.2.1. Producto izquierda
- p1.2.2. Productos derecha
- p1.2.3. Agua caliente
- p2. Sistema
- p2.1. Temperaturas
- p2.1.1. Variac. temperatura
- p2.1.2. Temperatura caldera
- p2.2. Seguridad
- p2.2.1. Contraseña operador
- p2.2.2. Contraseña técnico
- p2.3. Opciones
- p2.3.1. Calientatazas
- p2.3.2. Anticongelamiento
- p2.3.3. Unidad de medida
- p2.3.4. Buzzer
- p2.4. Reloj
- p2.4.1. Fecha
- p2.4.2. Formato fecha
- p2.4.3. Hora
- p2.4.4. Formato hora
- p3. Factory default.
- s1. Asistencia
- s1.1. Descalcificación
- s1.1.1. Última descalcif.
- s1.1.2. Cantid. restante
- s1.1.3. El limite del filtro
- s1.1.4. Reset filter
- s1.1.5. Habilitación filtro
- s1.2. Drillers
- s1.2.1. Warning enabled
- s1.2.2. Left driller state
- s1.2.3. Right driller state
- s1.3. Test mode
- s1.3.1. Master test
- s1.3.2. Left coffee test
- s1.3.3. Right coffee test**
- s1.3.4. Water/Steam test**
- s2. Info
- s2.1. Identificación**
- s2.1.1. Versión Software**
- s2.1.2. Código máquina**
- s2.2. Error log**
- s2.2.1. Errores**
- s2.2.2. Reset log**
- s2.3. Audit
- s2.3.1. Contad. desde inic.
- s2.3.2. Contad. desde reset
- s2.3.3. Reset Audit
- s3. Instalar/Desinstalar
- s3.1. Instalación
- s3.1.1. Idioma
- s3.1.2. Código máquina
- s3.1.3. Contraste display
- s3.2. Desinstalación
- s3.2.1. Vaciado caldera



S1.3.3.2. Check motor (sólo técnico)

S1.3.3.3. Check flow (sólo técnico)

S1.3.3.4. Check temp (sólo técnico)

S1.3.4. Water/Steam test (sólo técnico)

S1.3.4.1. Low level test (sólo técnico)

S1.3.4.1.1. Boiler test (sólo técnico)

S1.3.4.1.2. Water sys. test (sólo técnico)

S1.3.4.1.3. Steam sys. test (sólo técnico)

S1.3.4.1.4. Board temperature (sólo técnico)

S1.3.4.2. Check water flow (sólo técnico)

S.2.1 IDENTIFICACIÓN

S2.1.1. Versión Software

Permite visualizar las versiones de software de las siguientes placas:

- Master;
- Grupo derecho;
- Grupo izquierdo;
- Agua/Vapor

S2.1.2. Código máquina

Permite visualizar el código de la máquina

S2.2 ERROR LOG

Con esta función, es posible visualizar los últimos 50 errores que se han registrado en la máquina:

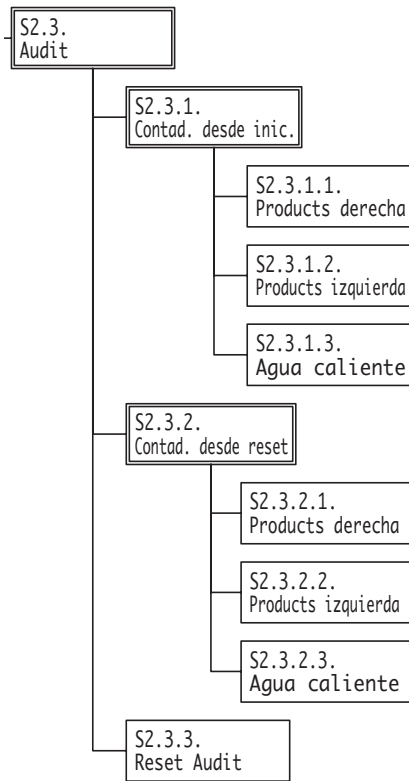
S2.2.1. Errores

Permite visualizar individualmente cada uno de los errores, proporcionando algunos datos (desde el último reset):

- parte de la máquina involucrada en el error;
- número del error
- fecha y hora en la que se ha registrado el error

S2.2.2. Reset log (sólo técnico)

- p1. Productos
 - p1.1. Global
 - p1.1.1. Autoprogram.
 - p1.1.2. Preinfusión
 - p1.1.3. Descarga condens.
 - p1.1.4. Limpieza final
 - p1.2. Detalles
 - p1.2.1. Producto izquierda
 - p1.2.2. Productos derecha
 - p1.2.3. Agua caliente
 - p2. Sistema
 - p2.1. Temperaturas
 - p2.1.1. Variac. temperatura
 - p2.1.2. Temperatura caldera
 - p2.2. Seguridad
 - p2.2.1. Contraseña operador
 - p2.2.2. Contraseña técnico
 - p2.3. Opciones
 - p2.3.1. Calientatazas
 - p2.3.2. Anticongelamiento
 - p2.3.3. Unidad de medida
 - p2.3.4. Buzzer
 - p2.4. Reloj
 - p2.4.1. Fecha
 - p2.4.2. Formato fecha
 - p2.4.3. Hora
 - p2.4.4. Formato hora
 - p3. Factory default.
 - s1. Asistencia
 - s1.1. Descalcificación
 - s1.1.1. Última descalcif.
 - s1.1.2. Cantid. restante
 - s1.1.3. El limite del filtro
 - s1.1.4. Reset filter
 - s1.1.5. Habilitación filtro
 - s1.2. Drillers
 - s1.2.1. Warming enabled
 - s1.2.2. Left driller state
 - s1.2.3. Right driller state
 - s1.3. Test mode
 - s1.3.1. Master test
 - s1.3.2. Left coffee test
 - s1.3.3. Right coffee test
 - s1.3.4. Water/Steam test
 - s2. Info
 - s2.1. Identificación
 - s2.1.1. Versión Software
 - s2.1.2. Código máquina
 - s2.2. Error log
 - s2.2.1. Errores
 - s2.2.2. Reset log
- s2.3. Audit
 - s2.3.1. Contad. desde inic.
 - s2.3.2. Contad. desde reset
 - s2.3.3. Reset Audit
- s3. Instalar/Desinstalar
 - s3.1. Instalación
 - s3.1.1. Idioma
 - s3.1.2. Código máquina
 - s3.1.3. Contraste display
 - s3.2. Desinstalación
 - s3.2.1. Vaciado caldera

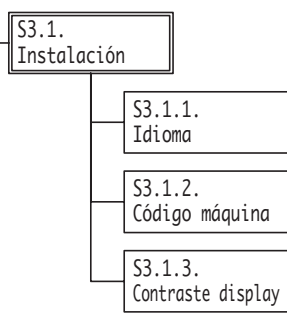


S2.3 AUDIT

S2.3.1. Contad. desde inic.
 Visualiza el número de bebidas suministradas. El recuento de las bebidas se subdivide para los grupos de café (derecho e izquierdo) y se subdivide de nuevo para cada una de las bebidas (expres, leche, capuchino, cortado, largo y café).

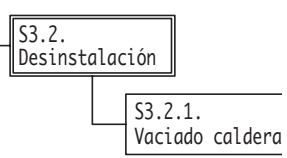
S2.3.2. Contad. desde reset
 Visualiza el número de bebidas suministradas desde la última puesta a cero de los contadores. El recuento de las bebidas se subdivide para los grupos de café (derecho e izquierdo) y se subdivide de nuevo para cada una de las bebidas (expres, leche, capuchino, cortado, largo y café).

S2.3.3. Reset audit
 Permite poner a cero los contadores de los dos grupos de café.



S3.1 INSTALACIÓN

- S3.1.1. Idioma (sólo técnico)
- S3.1.1. Código máquina (sólo técnico)
- S3.1.1. Contraste display (sólo técnico)



S3.2 DESINSTALACIÓN

- S3.2.1. Vaciado caldera (sólo técnico)

12.7 Mensajes exhibidos en el display

Mensaje	Causa	Solución
ERROR GRUPO	Aparece cuando se registra un error que se puede identificar a través de un número visible en el menú de servicio, en la opción S.2.2.1.1	Obtener, a través del menú de servicio, el número de identificación del error, apagar la máquina y llamar al CENTRO DE ASISTENCIA AUTORIZADO. Para los errores abajo indicados, antes de llamar al CENTRO DE ASISTENCIA AUTORIZADO, realizar las siguientes comprobaciones: 52 comprobar que haya agua en la red de distribución; 55 comprobar que el grupo esté correctamente montado.
VACIAR POSOS (AVISO)	Aparece cuando el cajón de recogida de las cápsulas está casi lleno (la máquina ha ejecutado la cantidad programada de suministros). Igualmente, se pueden seguir efectuando algunos suministros más.	Vaciar el cajón de recogida de las cápsulas
VACIAR POSOS (ALARMA)	El cajón de recogida de las cápsulas está totalmente lleno (la máquina ha efectuado la cantidad programada de suministros). La máquina está bloqueada y no se puede seguir utilizando hasta que no se vacíe el cajón.	Vaciar el cajón de recogida de las cápsulas
CERRAR PORTEZUELA	La portezuela no está cerrada correctamente.	Cerrar la portezuela
CERRAR CAJÓN	El cajón de recogida de las cápsulas no está correctamente montado.	Introducir correctamente el cajón de recogida de las cápsulas
INTRODUCIR TOLVA	La tolva no está correctamente montada.	Introducir correctamente la tolva

12.8 Apagado de la máquina

Se obtiene poniendo el interruptor general (21) - en la posición "0" o quitando el enchufe del tomacorriente.

13 - MANTENIMIENTO ORDINARIO



Advertencias

- *En caso de anomalías de funcionamiento, normalmente señaladas por el display, apagar inmediatamente la máquina, cortar la alimentación eléctrica por medio del interruptor omnipolar o sacando el enchufe del tomacorriente y contactar con el CENTRO DE ASISTENCIA más cercano.*
- *Antes de efectuar cualquier tarea de limpieza o mantenimiento, cortar la alimentación eléctrica por medio del interruptor general (21) y del interruptor omnipolar (o quitando el enchufe del tomacorriente).*
- *Todos los trabajos se deben llevar a cabo con la máquina fría.*
- *No efectuar ningún trabajo de limpieza con la máquina en "STANDBY".*
- *Los productos para la limpieza están disponibles en todos los comercios de piezas de recambio para máquinas de café. De no encontrarlos, solicitar ayuda a la fábrica central o al instalador.*
- *Jamás lavar los componentes de la máquina en el lavavajillas.*
- *No utilizar chorros directos de agua.*

13.1 Limpieza de la máquina

- *Todos los días y antes de cada detención prolongada de la máquina se debe realizar una limpieza de esta última con el fin de impedir la solidificación de los depósitos en los contenedores, en las cubetas y en el grupo de erogación.*
- *Los componentes desmontables de la máquina que se deben limpiar, se tienen que lavar y enjuagar con agua corriente.*
- *Limpiar los revestimientos, los paneles y los mandos de la máquina usando paños suaves y moderadamente embebidos con agua tibia.*
- *Los componentes fijos y la misma máquina se deben limpiar únicamente con agua fría o tibia, utilizando esponjas no abrasivas y paños húmedos.*
- *Se puede acceder fácilmente a todas las partes que deben limpiarse, por tanto no se necesita el uso de herramientas.*



IMPORTANTE

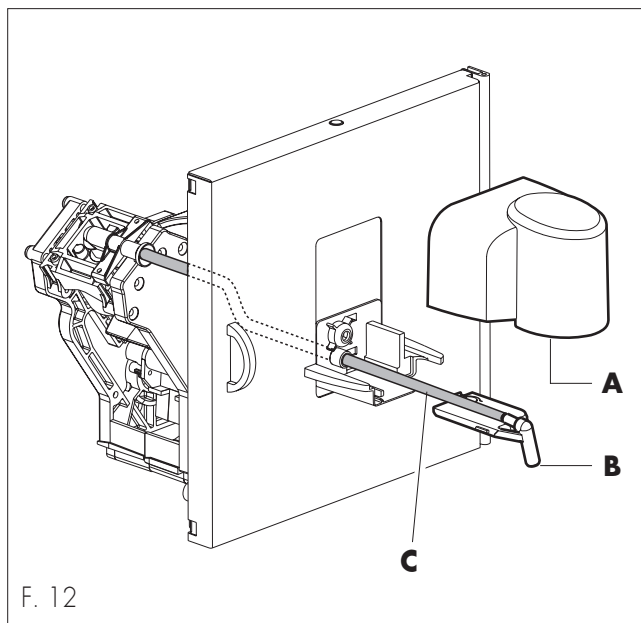
Labores de mantenimiento y limpieza regulares preservan y mantienen la máquina eficiente durante un periodo más largo y garantizan el respeto de las normales normas higiénicas.

La máquina señala automáticamente cuando deben ser efectuados los servicios de mantenimiento o descalcificación, la cantidad exacta de suministros se puede ver a través del display de la máquina; si el técnico de mantenimiento no llevara a cabo el servicio, la máquina podría bloquearse.

13.1.1 Grupo de erogación de café (F. 12)

Se pueden quitar:

- la protección superior (A) del erogador, tirando de ella;
- el erogador de café (B), tirando de él;
- el manguito de café (C) del grupo.



13.1.2 Cubeta de goteo y respectiva rejilla

Sacar la cubeta de goteo (15) de la máquina y lavarla con agua corriente, poniendo sumo esmero en la limpieza de la rejilla.

13.1.3 Cajón de recogida de las cápsulas

Lavar el cajón de recogida de las cápsulas (16 y 18) en agua corriente tras haberlo sacado de su alojamiento.

13.1.4 Tubos de suministro del vapor y agua caliente

Limpiar los tubos (13 y 19) con un paño húmedo no abrasivo. En caso de obturación de las toberas, la parte terminal de los tubos de erogación se puede desenroscar para desatascar las toberas con una aguja.

13.1.5 Superficie calentatazas

Limpiar la superficie calentatazas (4) con un paño húmedo no abrasivo.

13.1.6 Grupo de erogación

Extraer el grupo de erogación (27) y limpiarlo bajo agua corriente.

13.1.7 Tolva de descarga de cápsulas

Extraer la tolva de descarga de cápsulas (28) y limpiarla bajo agua corriente.



13.1.8 Limpieza del cappuccinatore



ATENCIÓN

No realizar ninguna tarea de limpieza del cappuccinatore cuando la máquina se encuentra en estado de "standby". La limpieza se debe realizar cada vez que se utiliza el CAPPUCINATORE, para evitar la solidificación de los depósitos.

Todos los componentes desmontables deben ser lavados y enjuagados con agua corriente.

¡Atención! Riesgo de quemaduras. Durante los ciclos de lavado, pueden salir salpicaduras de agua caliente, vapor o restos de leche del cappuccinatore. No acercarse a estos componentes con las manos u otras partes del cuerpo hasta que el ciclo de limpieza haya finalizado.

El objetivo de esta operación es eliminar todos los sedimentos de grasa y cal que se hayan formado durante el flujo y la emulsión de la leche.

Si no se lleva a cabo el ciclo de lavado, se favorece la solidificación de los sedimentos, comprometiendo así la calidad de las prestaciones del cappuccinatore.



ATENCIÓN

Las operaciones que se describen a continuación se deben llevar a cabo con la máquina encendida y bajo presión.

Limpieza periódica

Esta operación se debe llevar a cabo aproximadamente cada 30 minutos, en caso de uso continuo del cappuccinatore.

- Retirar el tubo del recipiente de la leche y sumergirlo en agua fría.
- Pulsar la tecla de erogación de leche para limpiar el cappuccinatore.



ATENCIÓN

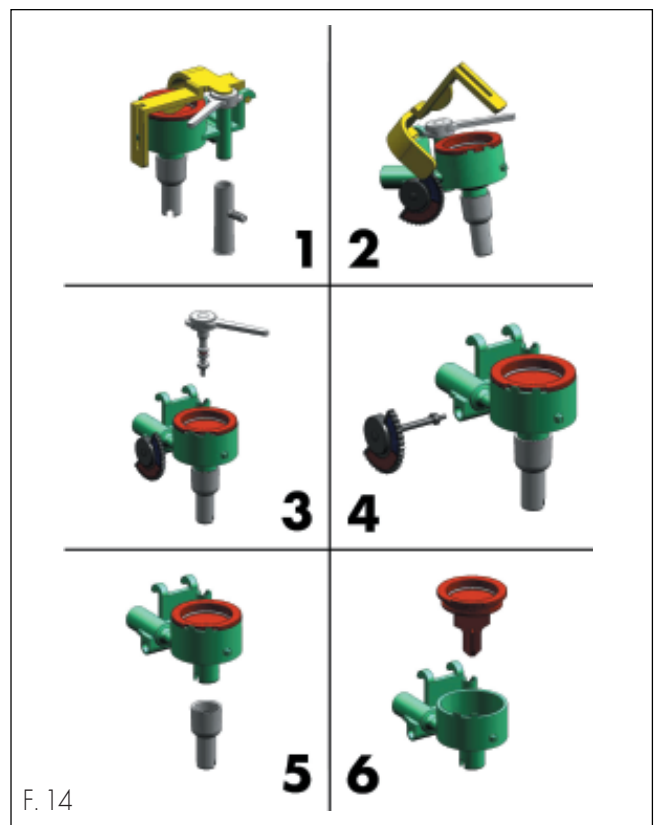
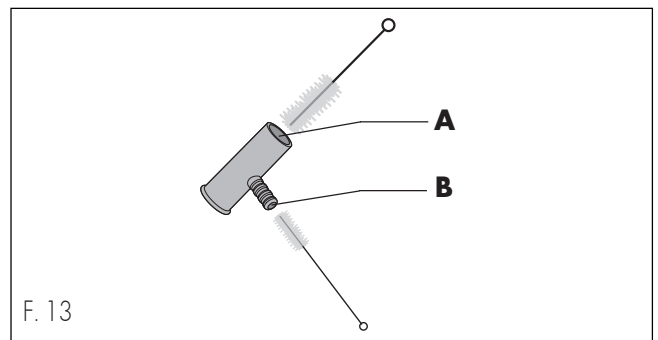
Se recomienda realizar el ciclo arriba descrito al menos dos veces con una pausa de un minuto entre los dos ciclos.

Limpieza nocturna del cappuccinatore

Se debe realizar al finalizar la jornada de trabajo.

- Llenar un recipiente con 1/2 litro de agua fría y una dosis de detergente líquido (consultar las instrucciones del producto).
- Retirar el tubo de aspiración del recipiente de la leche y sumergirlo en la solución de detergente.
- Pulsar la tecla **LECHE**, el agua saldrá por la boquilla de erogación del capuchino. En el display aparecerá el mensaje **LECHE**. Seguir erogando la bebida de leche hasta que se termine el líquido.
- El detergente se aspirará automáticamente y saldrá por la boquilla del cappuccinatore.
- Una vez finalizado el ciclo de lavado, retirar la tapa cromada.

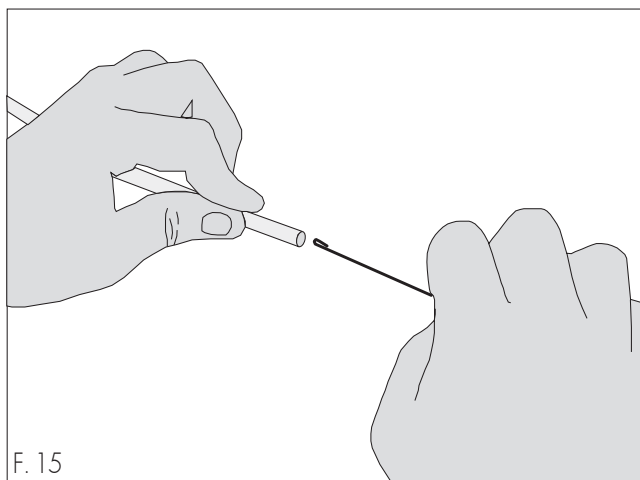
- Desmontar el cappuccinatore (ver figura 14):
 - Tirar suavemente hacia abajo y extraer el conector del tubo de leche situado junto al cappuccinatore.
 - Sacar el cappuccinatore tirando de él hacia adelante.
 - Extraer completamente el cappuccinatore y desmontar sus cinco componentes.
 - Preparar una nueva dosis de solución de detergente (como arriba) y sumergir en ella los componentes del cappuccinatore.
 - Lavar todos los componentes con una esponja eliminando cualquier resto orgánico; a continuación, sumergir de nuevo el cappuccinatore en la solución durante al menos dos horas.
 - Volver a montar los componentes.
 - Volver a montar el cappuccinatore en la máquina, introducir el conector del tubo de leche situado junto al cappuccinatore y volver a poner la tapa cromada en su sitio.
- Limpiar los orificios A y B con las escobillas (ver figura)



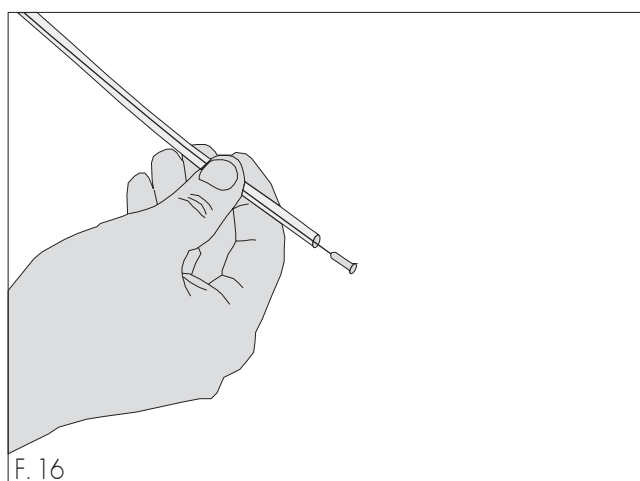
- Enjuagar haciendo correr al menos 1/2 litro de agua fría a través del cappuccinatore.

Limpieza del tubo del cappuccinatore

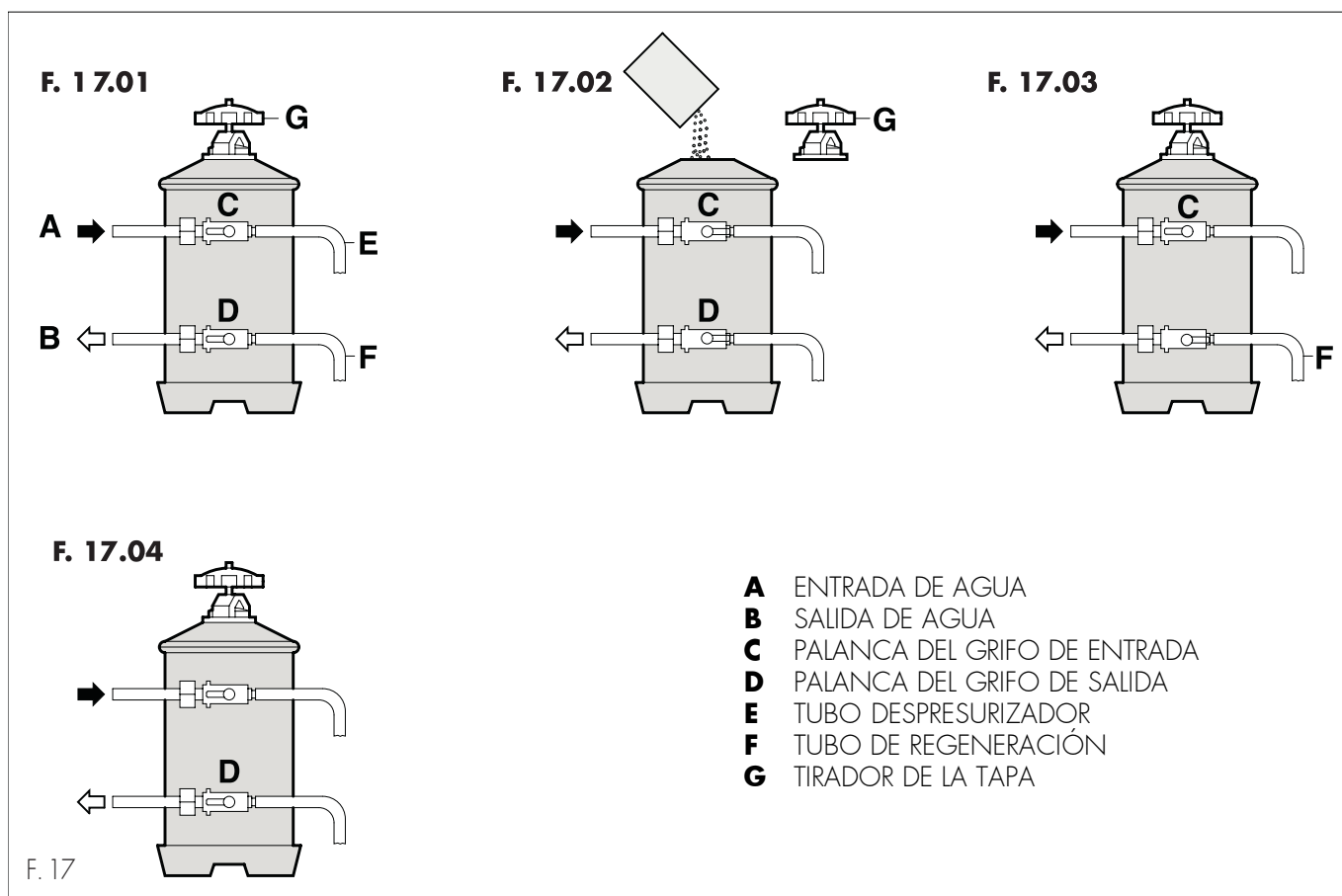
- Retirar el tubo del racor del cappuccinatore y del contenedor de leche.
- Introducir la escobilla dentro del tubo (ver figura)



- Tirar hacia fuera, repetir la misma operación al menos dos veces.



13.1.9 Regeneración del depurador



IMPORTANTE

Regenerar el depurador con la siguiente frecuencia:

DUREZA F

De 00 a 20
De 21 a 30
De 31 a 40
De 41 a 50

DEPURADOR DE 8 LITROS

regeneración tras 1100 l
regeneración tras 850 l
regeneración tras 650 l
regeneración tras 450 l

DEPURADOR DE 12 LITROS

regeneración tras 1600 l
regeneración tras 1250 l
regeneración tras 950 l
regeneración tras 650 l

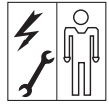
- Colocar un recipiente vacío con una capacidad de unos 2 litros bajo el tubo **E**
- Desplazar las palancas **C** y **D** de izquierda a derecha, tal y como muestra la fig. 17.02, retirar la tapa desenroscando el tirador **G**, introducir 1,5 kg de cloruro de sodio (sal gorda de cocina) en el depurador de 8 litros y 2 kg en el depurador de 12 litros.
- Volver a colocar la tapa y volver a desplazar la palanca **C** de derecha a izquierda, tal y como muestra la fig 17.03, dejar salir el agua salada por el tubo **F** hasta que el agua sea dulce.
- Volver a desplazar la palanca **C** de derecha a izquierda, tal y como muestra la fig 17.04.



IMPORTANTE

Las operaciones de regeneración sólo serán válidas si el depurador coincide con el que se muestra en las figuras. De no ser así, proceda de la forma que se indica en las instrucciones que acompañan al depurador.

14 - MANTENIMIENTO EXTRAORDINARIO



IMPORTANTE

Forman parte del mantenimiento extraordinario todos los servicios de reparación y reemplazo de partes. Por lo tanto, son competencia exclusiva del Técnico de mantenimiento.

14.1 Grupo de erogación

Para garantizar una mejor calidad del café, se recomienda sustituir el filtro de la perforadora cada 4000-5000 ciclos.

Desmontaje del filtro perforador

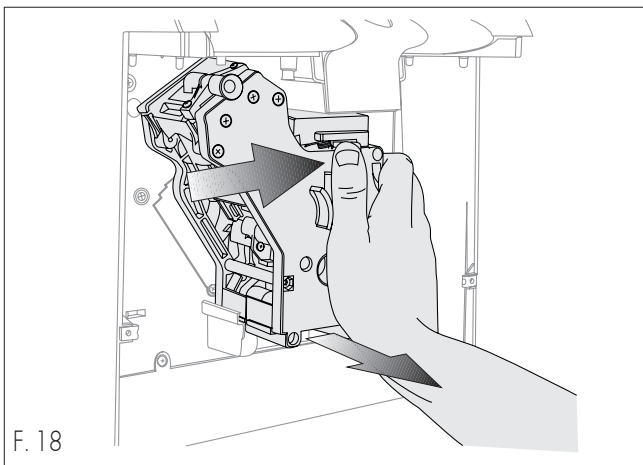
En este párrafo, se indica cómo desmontar el filtro perforador y llevar a cabo su mantenimiento.

Pulsar la palanca "PUSH" y extraer el grupo de erogación tirando de él hacia afuera.



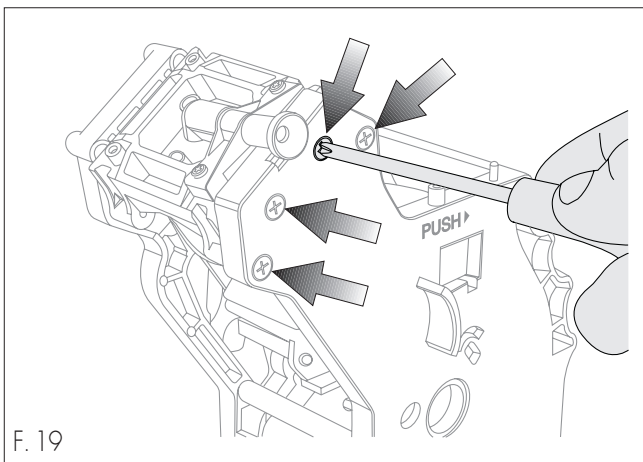
ATENCIÓN

En este grupo, existen piezas muy puntiagudas que podrían causar lesiones al operador. Prestar la máxima atención al realizar las operaciones de mantenimiento.



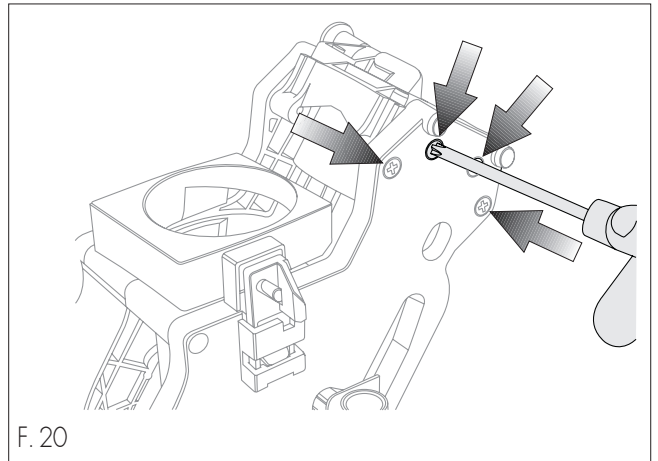
F. 18

Desatornillar los 4 tornillos de la parte frontal del grupo de erogación.



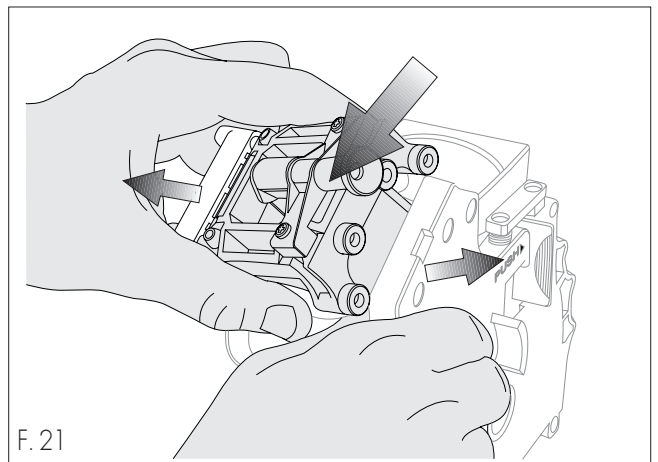
F. 19

Desatornillar los 4 tornillos que se encuentran en la parte posterior del grupo de erogación.



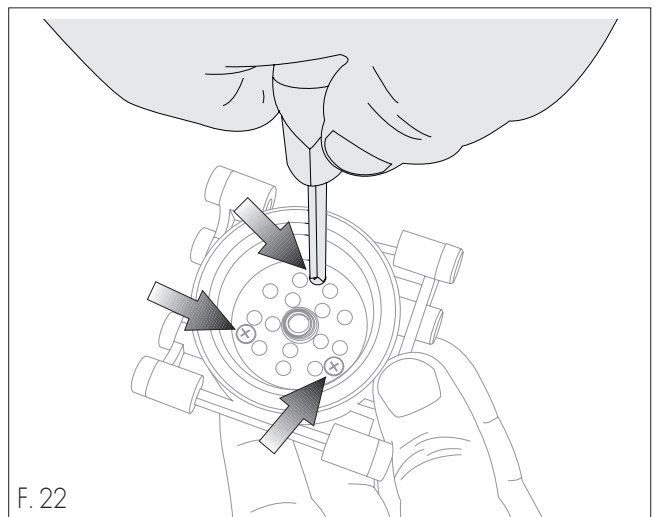
F. 20

Abir ligeramente las paredes del grupo de erogación y sacar el recipiente fijo para las cápsulas de café.



F. 21

Desatornillar los 3 tornillos que fijan el perforador.



F. 22

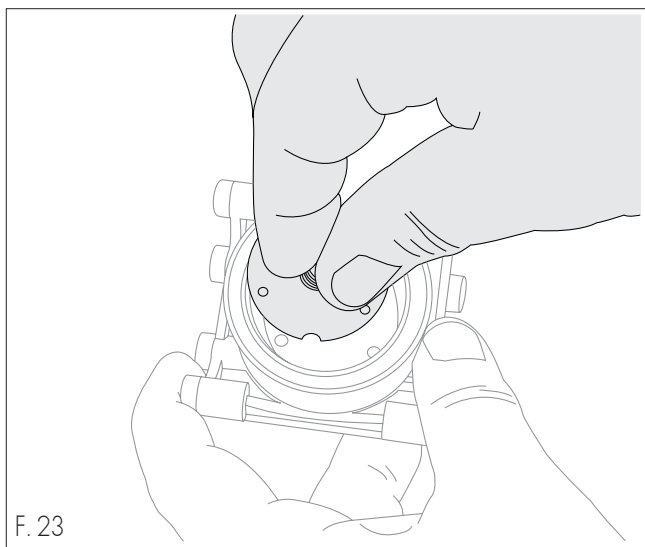
Desmontar el perforador usado y montar uno nuevo.

**IMPORTANTE**

El perforador sólo se puede montar en una única posición predeterminada. Para instalar correctamente el perforador, tomar como referencia la muesca que hay en la parte interior del contraste del pistón.

**IMPORTANTE**

El perforador se deberá sustituir en caso de que alguna de las cuñas esté dañada.



F. 23

15 - INSTRUCCIONES PARA EL TRATAMIENTO AL FINAL DE VIDA ÚTIL**Atención**

La eliminación del distribuidor o de sus partes, tiene que realizarse respetando el medio ambiente y de acuerdo con las legislaciones locales vigentes pertinentes.

16 - INCONVENIENTES, CAUSAS Y REMEDIOS

A continuación se listan algunas de las posibles anomalías de funcionamiento de la máquina.

Cuando en la casilla "remedio" aparece el símbolo , el trabajo lo debe efectuar el **Técnico de mantenimiento**.

INCONVENIENT	CAUSA	REMEDIO
<i>La máquina no se enciende</i>	Falta tensión	Verificar: - que la ficha esté conectada
		- que el interruptor omnipolar (de existir) esté cerrado
		- los fusibles del circuito eléctrico 
		- las conexiones eléctricas
<i>No sale agua o vapor</i>	Está ocluido el orificio del tubo de vapor/ agua caliente	Limpiarlo con una aguja fina
<i>El café no está suficientemente caliente</i>	La taza no fue precalentada	Precalentar la taza sobre la superficie caliente tazas
	La máquina todavía no ha alcanzado su justa tempe	Esperar que la temperatura llegue a su valor ideal
<i>La máquina emplea mucho tiempo para calentarse, el caudal de agua es reducido</i>	El circuito de la máquina está atascado por caliza	Desescamar la máquina 
<i>El grupo salida de café no se puede extraer</i>	El grupo de salida de café no está en su posición básica	Apagar y encender la máquina por medio del interruptor general
<i>El grupo salida de café no se puede introducir</i>	El grupo de salida de café no está en su posición básica	Girar manualmente el grupo hasta llevarlo a la posición básica, haciendo que coincida la referencia del árbol con la flecha
<i>El cappuccinatore no suministra leche</i>	Temperatura de la leche empleada no suficientemente fría (ver advertencias)	Mover la palanca de la regulación de la temperatura hacia abajo
	No queda leche en el contenedor	Llenar el contenedor de leche

PREMISSA

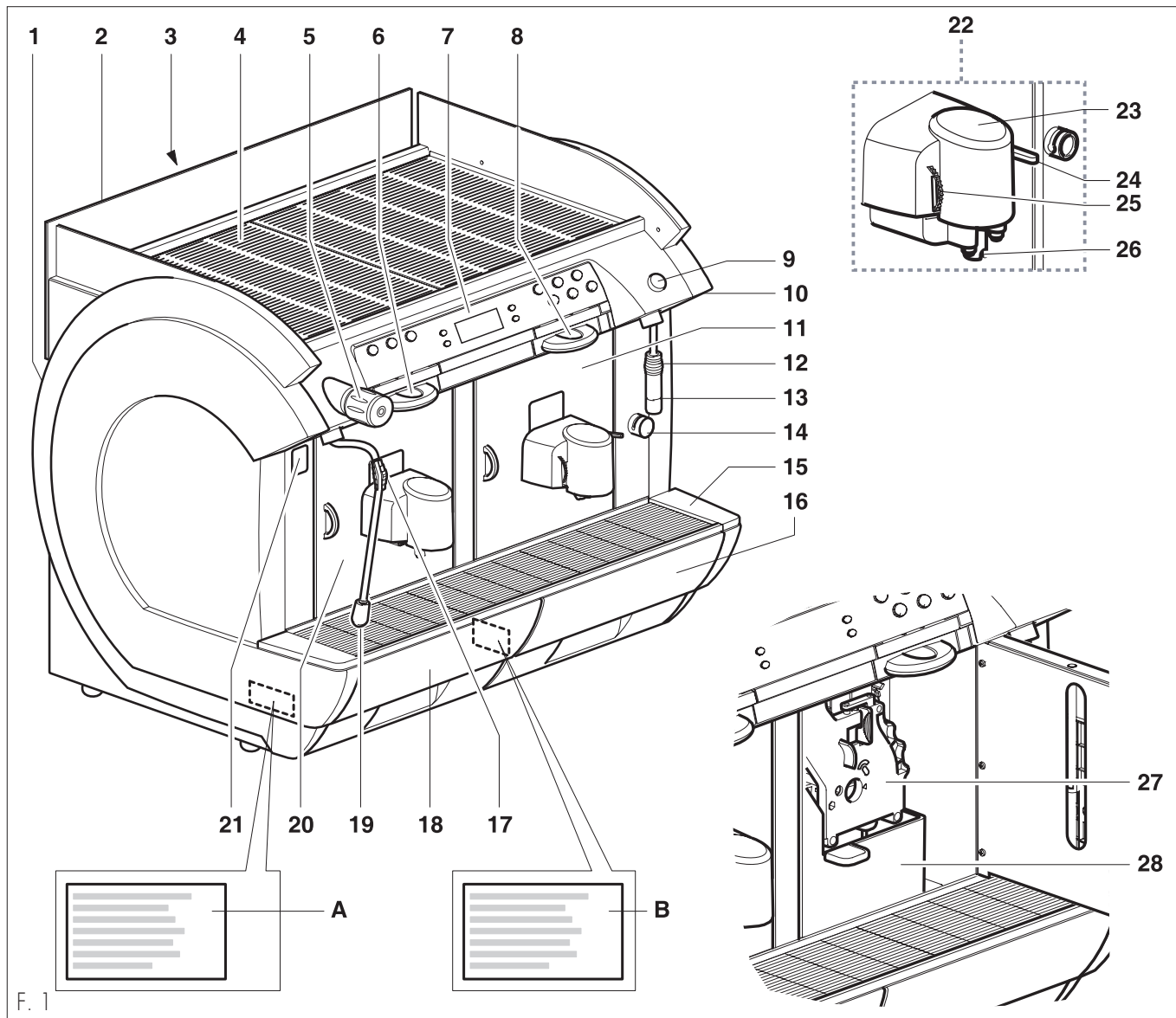
- O presente manual é parte integrante da máquina e portanto terá de ser guardado em lugar conhecido, facilmente acessível, em boas condições, para toda a vida operativa da máquina (inclusive eventuais passagens de propriedade). Seu alvo, é a transmissão de informações necessárias para o uso competente e seguro da própria máquina.
- Em caso de perda ou deterioração da presente publicação, peça uma cópia dela a um Centro de Assistência Autorizado, especificando o modelo e o ano de construção.
- Os Centros de Assistência Autorizados, além disso, são disponíveis para qualquer esclarecimento técnico, informações sobre o funcionamento, assistência técnica e abastecimento de peças sobresselentes.
- Os argumentos tratados são destinados, exclusivamente, à utilização da máquina em condições de segurança para as pessoas, a máquina e o ambiente, interpretando um diagnóstico elementar de avarias e condições de funcionamento anómalo, executando simples operações de verificação e manutenção, no máximo respeito das prescrições mencionadas nas páginas seguintes e das Normas de Segurança e Saúde vigentes.
- Antes de cada intervenção leia com o máximo cuidado e assegure-se de ter compreendido o conteúdo da presente publicação.
- O uso da máquina por parte de mais utilizadores (singularmente), prevê a absoluta necessidade de todos eles examinarem atentamente o manual de instruções.
- O Fabricante reserva-se o direito de modificar e melhorar os modelos em objecto, sem a obrigação de fornecer qualquer pré-aviso.
- Para exigências particulares contacte o Distribuidor ou o Importador (quando presente) do próprio País ou o Fabricante.
- Todos os direitos da presente publicação, são de propriedade da Firma LAVAZZA. Reproduções ou divulgações, mesmo se parciais, que não foram devidamente autorizadas por escrito, são absolutamente proibidas.

ÍNDICE

1 - COMPOSIÇÃO DA MÁQUINA	8 5	12 - USO DA MÁQUINA	9 0
2 - NOTAS PARA A CONSULTA	8 6	12.1 Estados da máquina	90
2.1 Abreviações	86	12.2 Descrição dos comandos	91
2.2 Simbologia de redacção	86	12.3 Funções programáveis do menu	93
3 - UTILIZADOR	8 6	12.4 Estrutura do menu de programação	93
4 - TÉCNICO EM MANUTENÇÃO	8 6	12.5 Descrição das funções	94
5 - DESTINO DE USO DA MÁQUINA	8 6	12.6 Estrutura do menu de serviço	99
6 - ADVERTÊNCIAS E CAUTELAS	8 7	12.7 Mensagens no visor	103
7 - PRECAUÇÕES GERAIS	8 7	12.8 Desligamento da máquina	103
8 - INFORMAÇÕES SOBRE A MÁQUINA	8 7	13 - MANUTENÇÃO ORDINÁRIA	1 0 4
8.1 Dados identificativos	87	13.1 Limpeza da máquina	104
8.2 Características técnicas	87	13.1.1 Bico do café	104
8.3 Dimensões	87	13.1.2 Bandeja de limpeza e respectiva grelha	104
8.4 Grupo de distribuição do café	88	13.1.3 Gaveta de recolha das cápsulas	104
8.5 Grupo Cappuccinatore	88	13.1.4 Bicos de distribuição do vapor e da água quente	104
9 - DISPOSITIVOS DE SEGURANÇA	8 8	13.1.5 Placa aquecedora de chávenas	104
9.1 Riscos resíduos	88	13.1.6 Grupo de distribuição	104
10 - INSTALAÇÃO	8 9	13.1.7 Canoura de descarga da cápsula	104
10.1 Notas sobre a colocação	89	13.1.8 Limpeza do cappuccinatore	105
10.2 Posicionamento da máquina	89	13.1.9 Regeneração do depurador	107
10.3 Ligação hídrica	89	14 - MANUTENÇÃO EXTRAORDINÁRIA	1 0 8
10.4 Ligação eléctrica	90	14.1 Grupo de distribuição	108
10.5 Conexão à porta serial	90	15 - INSTRUÇÕES PARA O TRATAMENTO EM	
11 - PRIMEIRA UTILIZAÇÃO DA MÁQUINA	9 0	FIM DE VIDA ÚTIL	1 0 9
		16 - INCONVENIENTES, CAUSAS E SOLUÇÕES	1 1 0

1 - COMPOSIÇÃO DA MÁQUINA

NOTA - Quando não forem expressamente indicados no texto, os números de posição de partes da máquina referem-se a esta figura.



F. 1

- | | | | |
|-----------|---|-----------|--|
| A | Plaqueta de dados | 15 | Bandeja de limpeza |
| B | Plaqueta dados de sistema | 16 | Gaveta de recolha das cápsulas |
| 1 | Painel esquerdo | 17 | Protecção de borracha |
| 2 | Vitrina pequena | 18 | Gaveta de recolha das cápsulas |
| 3 | Painel traseiro | 19 | Bico de distribuição do vapor |
| 4 | Placa aquecedora de chávenas | 20 | Portinhola |
| 5 | Torneira de distribuição do vapor
Sentido horário: jacto do vapor aberto
Sentido anti-horário: jacto do vapor fechado | 21 | Interruptor geral
"I" - Funções eléctricas habilitadas - Máquina ligada - Indicador luminoso, aceso.
"O" - Funções eléctricas desabilitadas - Máquina desligada - Indicador luminoso "I", apagado. |
| 6 | Gaveta de introdução das cápsulas | 22 | Grupo de distribuição do café |
| 7 | Painel de comando | 23 | Cobertura para grupo de distribuição |
| 8 | Gaveta de introdução das cápsulas | 24 | Regulação da espuma do leite |
| 9 | Tecla para água quente | 25 | Ajuste da temperatura |
| 10 | Painel direito | 26 | Grupo de distribuição do leite |
| 11 | Portinhola | 27 | Grupo café |
| 12 | Protecção de borracha | 28 | Canoura de descarga da cápsula |
| 13 | Bico de distribuição de água quente | | |
| 14 | Pinça de bloqueio do bico | | |

2 - NOTAS PARA A CONSULTA

2.1 Abreviações

F. = Figura
 P. = Página
 Pr. = Parágrafo
 T. = Tabela

2.2 Simbologia de redacção

ATENÇÃO!

Preste o máximo cuidado ao significado dos símbolos: a função deles é a de não repetir noções técnicas ou advertências de segurança, portanto são verdadeiros e próprios "lembretes". Consulte, portanto, a lista dos símbolos cada vez que houver dúvidas sobre o significado deles.

	ATENÇÃO! - Informações sobre a segurança do utilizador e a integridade da máquina.
	IMPORTANTE! - Chama a atenção sobre um argumento particularmente importante.
	Técnico em manutenção - Operações de exclusiva competência do pessoal encarregado da manutenção extraordinária e dos consertos.
	Máquina desligada - Operações a serem executadas com a alimentação de energia eléctrica desligada.
	Utilizador - Intervenções de competência do usuário da máquina.

3 - UTILIZADOR



Pessoa adulta para a qual são de exclusiva competência as seguintes operações:

- Condução, presídio e desligamento da máquina.
- Ajuste dos parâmetros de distribuição.
- Esvaziamento das bandejas de recolha, borras e líquidos.
- Limpeza externa da máquina.



ATENÇÃO

É proibido o uso da máquina às crianças, adolescentes e pessoas não auto-suficientes.

4 - TÉCNICO EM MANUTENÇÃO



Pessoa encarregada às operações seguintes:

- Instalação, pôr em funcionamento, ajuste e afinação da máquina.
- Manutenção extraordinária, consertos e substituição de peças sobresselentes.

5 - DESTINO DE USO DA MÁQUINA

As máquinas objecto do presente manual, foram projectadas, realizadas e protegidas para a distribuição automática (programável) de bebidas:

- à base de café em cápsulas;
- à base de leite e café em cápsulas.
- água quente e vapor de água para o preparo e o aquecimento de bebidas.
- leite quente.



IMPORTANTE

Qualquer outra utilização das máquinas, não é prevista pelo Fabricante que é isentado contra qualquer responsabilidade por danificações de cada natureza, causadas por um emprego impróprio das próprias máquinas. O uso impróprio, além disso, determina a anulação de cada forma de garantia.

6 - ADVERTÊNCIAS E CAUTELAS

Para a manutenção ordinária, não utilize absolutamente, detergentes, diluentes, solventes, etc...

A limpeza é limitada às partes desligadas da tensão eléctrica e há de ser executada com produtos neutros e biodegradáveis e sempre depois de ter tirado o cabo de alimentação da tomada de parede.

A manutenção ordinária há de ser executada por pessoal competente ou, pelo menos, adequadamente avisado e instruído e munido de requisitos psíquicos/físicos necessários, conforme as instruções indicadas em seguida e as Normas de Segurança e Saúde vigentes.

É taxativamente proibido colocar e/ou abandonar acima da máquina ferramentas e tudo o que for potencialmente lesivo para a segurança de pessoas e para a integridade da máquina.

Modificações e alterações (mesmo se leves), além da utilização de peças sobresselentes não originais, isentam o Fabricante contra cada responsabilidade por danificações de qualquer natureza e determinam a perda de qualquer direito de garantia.

Utilize exclusivamente água potável.

N.B.: Não utilize água quente.

É indispensável alimentar a máquina com água tratada com um dispositivo de descalcificação, a fim de garantir o respeito dos limites acima indicados. Assegure-se de que a rede de distribuição hídrica seja de água potável com pressão incluída entre 1 e 8 Bares.

7 - PRECAUÇÕES GERAIS

- **Antes de utilizar** a unidade, assegure-se sempre e em via preventiva de não ter dúvidas sobre o conteúdo do presente manual. A transgressão das normas incluídas nele, isenta o Fabricante contra responsabilidade por danificações de qualquer natureza para pessoas e/ou coisas.
- **Guarde** esta edição para futuras referências.
- **Verifique preventivamente** (em caso de nova instalação), o respeito das normas mínimas de segurança, a colocação e a operatividade da máquina, controlando as condições ambientais (temperatura, humidade, iluminação) e a idoneidade dos espaços operativos.
- A eventual danificação do cabo de alimentação eléctrica, prevê a intervenção da Assistência Técnica Autorizada ou do técnico em manutenção.
- **Não utilize** a máquina ao ar livre.
- **Em caso de mal funcionamento**, peça sempre a intervenção do técnico em manutenção.
- É proibido utilizar jactos de água para a limpeza.

8 - INFORMAÇÕES SOBRE A MÁQUINA

8.1 Dados identificativos

Na placa (A) são indicados os seguintes dados identificativos da máquina:

- Fabricante e marcação
- modelo
- N° de matrícula
- ano de fabricação
- tensão eléctrica de alimentação (V) e frequência (Hz)
- potência eléctrica absorvida (W)
- número de fases da linha eléctrica
- pressão admitida na rede hídrica (MPa)



IMPORTANTE

Durante eventuais pedidos aos Centros de Assistência Autorizados, indique modelo e número de matrícula.

8.2 Características técnicas

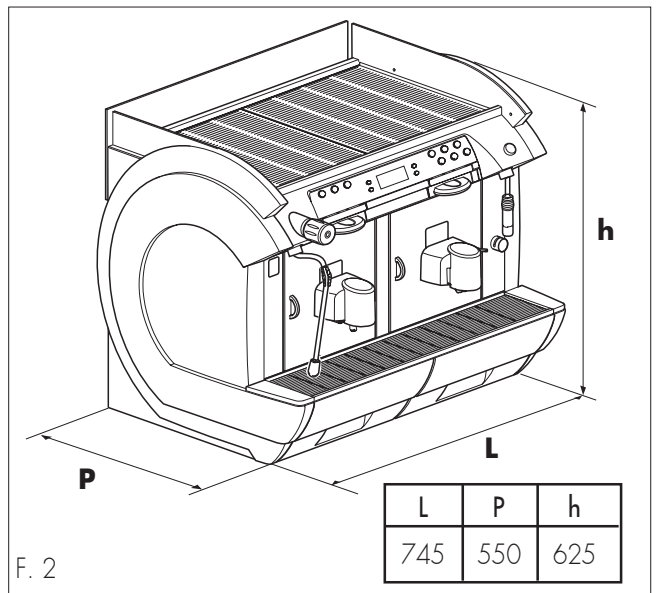
Tensão de alimentação 240V 60Hz
 Comprimento do cabo de alimentação mm 1.700
 Potência instalada 5500W
 Pressão hídrica MPa0,1÷0,8 (1÷8 bares)
 Peso kg 66



IMPORTANTE

É possível programar as máquinas para dosagens de qualquer tipo de distribuição. A maioria dos componentes eléctricos, é alimentada com 24 Vdc.

8.3 Dimensões

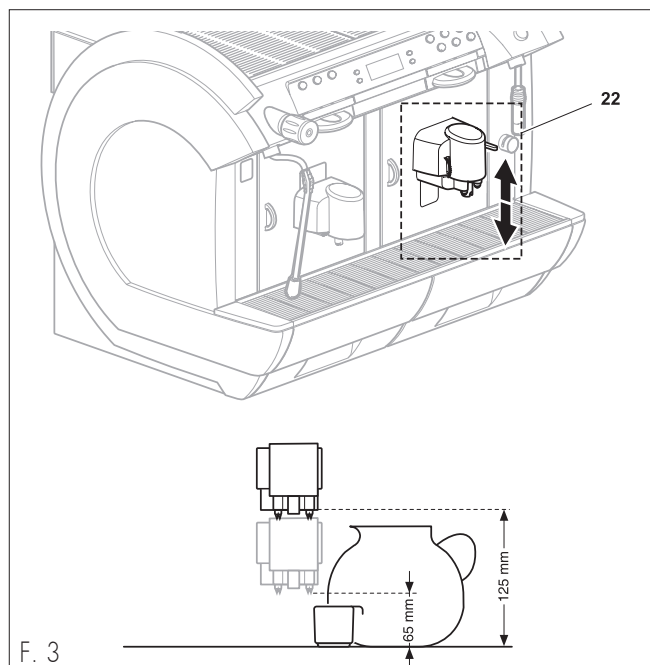


8.4 Grupo de distribuição do café

A posição deste grupo (22) pode ser modificada conforme a altura do recipiente utilizado.

De fato é possível posicionar o grupo de distribuição para cima ou para baixo.

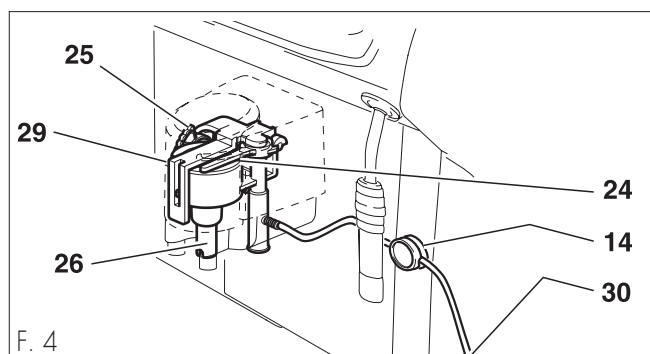
Desta maneira é possível obter diferentes alturas de distribuição.



8.5 Grupo Cappuccinatore

O grupo cappuccinatore, é composto de:

- tubo de aspiração do leite (30);
- pinça de bloqueio do tubo (14);
- cappuccinatore (29);
- regulação da quantidade da espuma (24);
- ajuste da temperatura (25);
- grupo de distribuição do leite (26).



O leite a ser utilizado para o CAPPUCINATORE deve ser mantido e guardado em um frigorífico a uma temperatura inferior a 4° C, e não deve ser deixado inutilizado, fora do frigorífico, por um período superior a 30 minutos.

9 - DISPOSITIVOS DE SEGURANÇA



IMPORTANTE

As máquinas objecto da presente publicação, são realizadas conforme as específicas Normativas vigentes e portanto são protegidas em cada parte potencialmente perigosa.

Eventuais sobrepensões na instalação hídrica destinada à produção de vapor e de água quente, são interceptadas por 3 válvulas de segurança.

Um termóstato impede o sobreaquecimento das caldeiras.

A **posição** do compartimento de recolha das cápsulas (16) e da portinhola (15), é controlada por n° 2 micro-interruptores que determinam a paragem do funcionamento da máquina se um componente não estiver posicionado correctamente; (no visor aparecerá a indicação do componente fora do lugar).

Um **contador de impulsos** electrónico memoriza o número de distribuições efectuadas e permite a programação da manutenção ordinária.

Os **bicos de distribuição** de vapor (19) e água quente (13) são equipados com apropriadas protecções de borracha (12 e 17) para segurá-los e orientá-los, mesmo quando sobreaquecidos.

9.1 Riscos residuos

As características de construção das máquinas, objecto da presente publicação, não permitem a protecção do utilizador pelo jacto directo de vapor ou água quente.

Perigo de queimaduras - Durante a distribuição de **água quente e vapor**, não dirija os jactos contra terceiros ou contra si mesmo. Segure o bico exclusivamente pelas respectivas protecções anti-queimaduras (12 e 17).



IMPORTANTE

Não utilize recipientes que não sejam realizados com material "para alimentos".

10 - INSTALAÇÃO



10.1 Notas sobre a colocação

A máquina há de ser instalada em lugar seco e abrigado, com:

- temperatura ambiente: +10° C + 25° C
- humidade máxima: 65%.

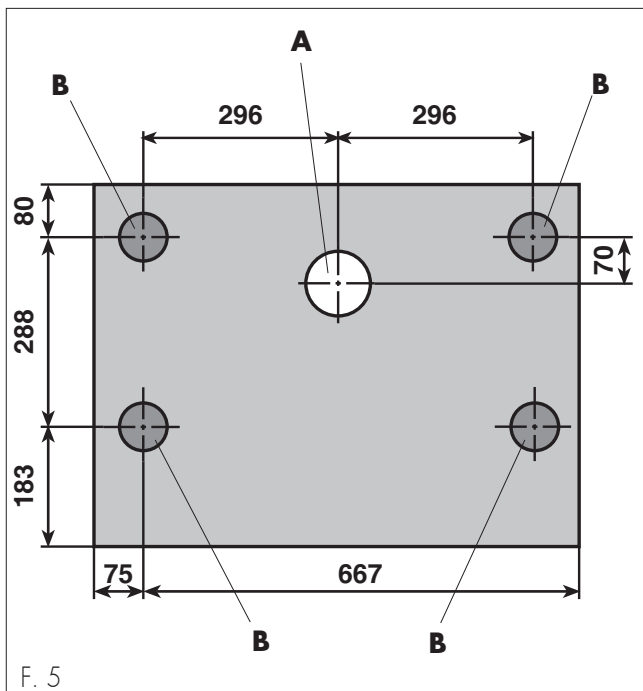
10.2 Posicionamento da máquina



IMPORTANTE

Verifique que a superfície destinada à instalação da máquina, seja de dimensões e robustez adequadas para suportar, em segurança, a própria máquina.

Realize na base um furo de Ø 100 mm (A - F. 5).
 Posicione definitivamente, a máquina na superfície de apoio (os círculos B - F. 5, indicam a posição melhor dos pés reguláveis).
 Nivele a máquina, ajustando os pés reguláveis (F - F. 7).



F. 5



ATENÇÃO / IMPORTANTE

Para um correcto uso ergonómico da máquina, aconselha-se a instalar o aparelho acima de uma superfície de trabalho posicionada a uma altura não inferior a 1 m.

10.3 Ligação hídrica



ATENÇÃO

Water and waste connections shall comply with applicable federal states, or local codes.



ATENÇÃO

A dureza da água nunca deve ultrapassar 8°F.

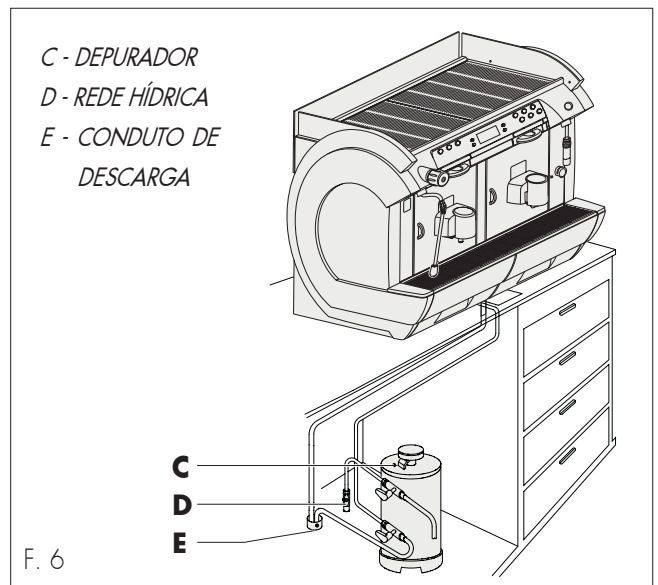
É indispensável alimentar a máquina com água tratada com um dispositivo de descalcificação, a fim de garantir o respeito dos limites acima indicados. Assegure-se de que a rede de distribuição hídrica seja de água potável com pressão incluída entre 1 e 8 Bares.

- Ligue à rede hídrica (D) o depurador (C).



IMPORTANTE

Antes de ligar o depurador à máquina efectue uma lavagem, até a água se tornar límpida, prossiga portanto com a ligação do depurador à máquina.

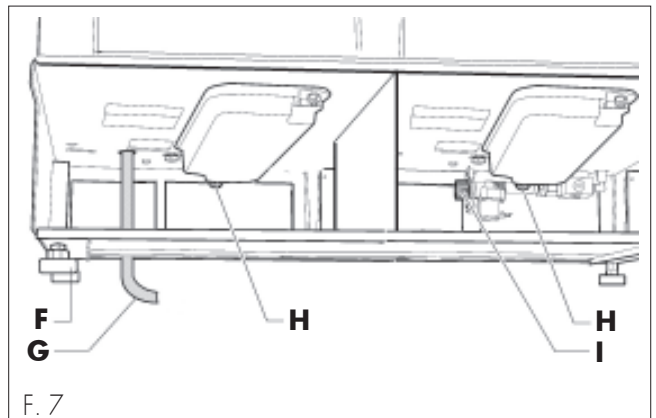


F. 6

Ligue um tubo de descarga à junção (C - F. 7) e fixe-o por meio de uma braçadeira.

Ligue (exclusivamente com tubo e junções de material "para alimentos") a máquina à rede de distribuição de água potável por meio da junção (I - F. 7).

Introduza os tubos de descarga e carga no furo A.



F. 7

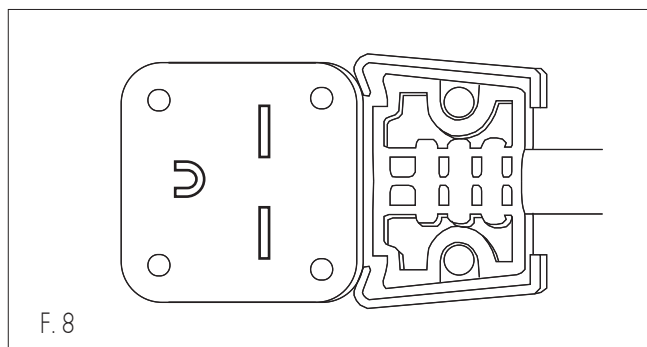
10.4 Ligação eléctrica



IMPORTANTE

A máquina deve ser ligada a um sistema fase de mono de 240 V 60 Hz.

Introduza o cabo de alimentação eléctrica (**G**-F. 7) no furo **A** (F. 5).



Conforme as normas vigentes no País de utilização da máquina, o cabo de ligação à linha eléctrica, deve ser predisposto com um interruptor multipolar (com abertura mínima dos contactos de 3 mm).

- O interruptor multipolar deve ser adequado para a absorção da máquina e para interceptar todas as polaridades da tensão.
- Verifique que os cabos eléctricos da instalação sejam proporcionados à absorção da máquina.

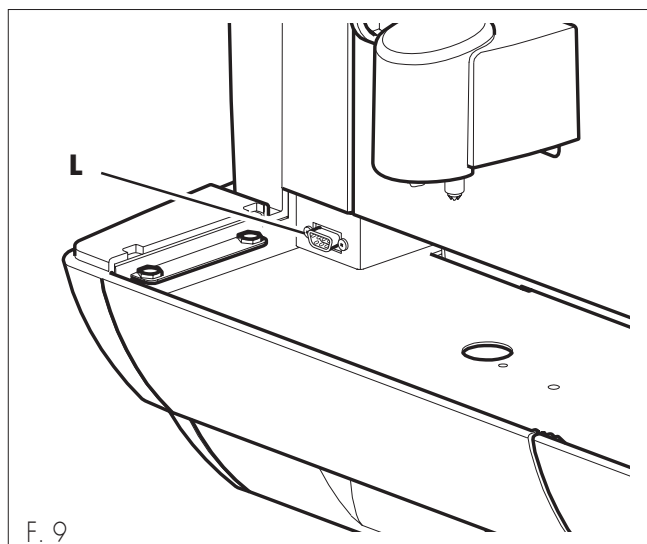


O ponto de ligação (tomada eléctrica ou interruptor multipolar) há de ficar em lugar facilmente alcançável pelo utilizador, a fim de desligar a máquina da linha eléctrica em caso de necessidade.

Ligue o cabo (**G**-F. 7) à linha de alimentação eléctrica.

10.5 Conexão à porta serial

Através da porta serial RS 232 é possível conectar a máquina a Personal Computer ou aparelhagens em dotação aos CENTROS DE ASSISTÊNCIA AUTORIZADOS para operações de programação (**L**-F. 9).



11 - PRIMEIRA UTILIZAÇÃO DA MÁQUINA



Verifique que os componentes extraíveis (**15**, **16** e **18**) estejam presentes e que as portinholas (**11** e **20**) estejam encerradas.

Em caso contrário, quando ligar a máquina, aparecerá no visor a indicação do componente fora do lugar.

- Ligue a máquina por meio do interruptor (**21**);
- Abra a gaveta de introdução das cápsulas (**6** e **8**).
- Introduza a cápsula na sede apropriada como indicado na figura F. 11
- Posicione o grupo de distribuição (**22**) a fim de obter a altura adequada para os recipientes utilizados (Pr. 8.4).
- Coloque um recipiente por baixo do grupo de distribuição.
- Pressione o botão correspondente ao tipo de bebida escolhida.



IMPORTANTE

Apesar de todos os botões estiverem originariamente programados sobre valores padrão, será preciso controlar que a dose da bebida distribuída corresponda àquela desejada. De outra maneira será preciso programar os botões do sistema de distribuição (Pr. 12.6)

12 - USO DA MÁQUINA



ATENÇÃO

Antes de utilizar a máquina é necessário ler atentamente a presente publicação e tomar um bom conhecimento geral da própria máquina.



IMPORTANTE

Após um período de inactividade da máquina é aconselhável ler novamente, antes de reutilizá-la, o parágrafo anterior "Primeira utilização da máquina".

12.1 Estados da máquina

Conforme a alimentação eléctrica, a máquina poderá resultar como em seguida:

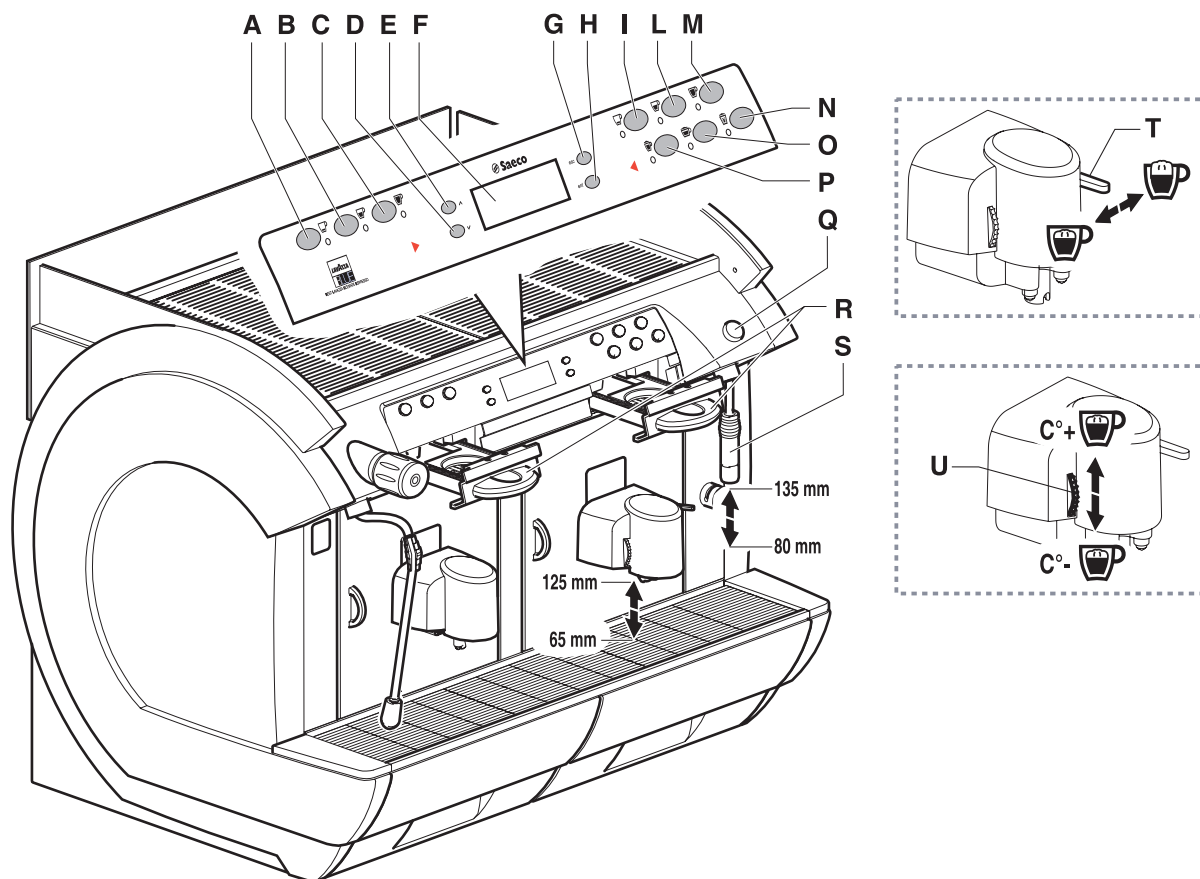
Desligada e isolada electricamente

- Interruptor geral (**21**) sobre a posição "0" (ou cabo de alimentação desligado).
- Fica activa exclusivamente a memória de armazenamento dos dados programados.

Ligada

- Interruptor geral (**21**) (ou cabo de alimentação ligado).
- Ficam activas todas as funções e o visor está aceso.

12.2 Descrição dos comandos









F. 10

A Tecla "Café curto"
B Tecla "Café médio"
C Tecla "Café longo"
D Tecla "Down"
E Tecla "Up"
F Visor
G Tecla "Esc"

H Tecla "Ent"
I Tecla "Café curto"
L Tecla "Café médio"
M Tecla "Café longo"
N Tecla "Leite quente"
O Tecla "Cappuccino"
P Tecla "Café garoto"

Q Tecla "Água quente"
R Gaveta de introdução das cápsulas
S Bico de distribuição de água quente
T Regulação da espuma do leite
U Ajuste da temperatura do leite



CAFÉ	
curto  A, I	<ul style="list-style-type: none"> • As definições: "Café curto" - "Café médio" - "Café longo", indicam os três diferentes níveis de distribuição. • Na entrega, as máquinas estão programadas sobre valores padrão. (**)
médio  B, L	
longo  C, M	
PINGO (GAROTO)	
 P	<ul style="list-style-type: none"> • Bebida composta de café com a adição de uma pequena dose de leite quente. (*), (**), (***)
CAPPUCCINO	
 O	<ul style="list-style-type: none"> • Bebida composta de café e leite quente. (*), (**), (***)
LEITE QUENTE	
 N	<ul style="list-style-type: none"> • Bebida composta apenas de leite (*), (***)
ÁGUA QUENTE	
Q	<ul style="list-style-type: none"> • Distribuição obtida utilizando água

(*)

Regulação da espuma do leite

A quantidade de espuma nas bebidas é proporcional à intervenção na alavanca de regulação **(T)**.

- Ao virar a alavanca à direita, obter-se-á uma quantidade de espuma maior.
- Ao virar a alavanca à esquerda, obter-se-á uma quantidade de espuma menor.

Ajuste da temperatura do leite

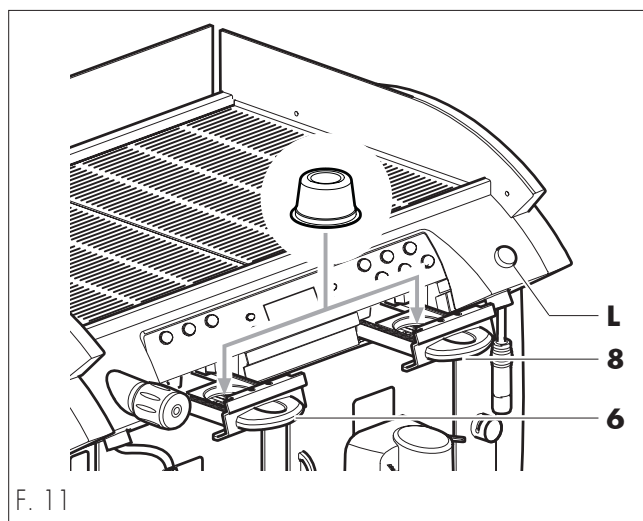
A temperatura do leite é proporcional à intervenção na alavanca de ajuste **(U)**.

- Ao virar a alavanca para cima, obter-se-á uma temperatura maior.
- Ao virar a alavanca para baixo, obter-se-á uma temperatura menor.

(**)




Introdução das cápsulas

- Abra a gaveta de introdução das cápsulas **(6 e 8)**.
- Introduza a cápsula na sede apropriada como indicado na figura F. 11



F. 11

(***)

NB.: É possível programar anteriormente as teclas ,  e  para distribuir bebidas compostas de leite e café com qualquer combinação possível. Para activar programações diferentes daquelas de default será preciso contactar um centro de assistência autorizado.

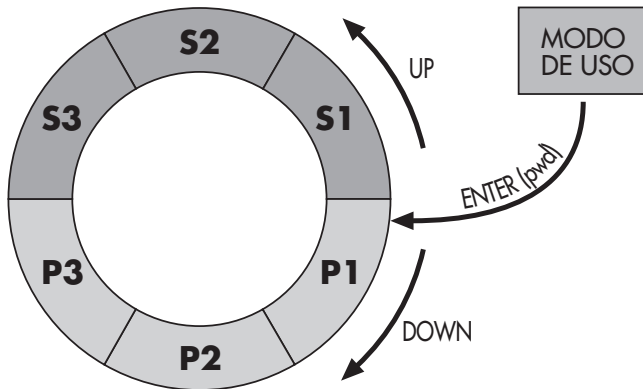
12.3 Funções programáveis do menu



IMPORTANTE

A máquina permite alguns ajustes e programações através da programação do menu, a fim de adaptar o produto a ser distribuído às exigências do Utilizador

Para facilitar o acesso ao menu de programação consulte a figura seguinte:



ent	(Enter)	entra no menu de programação (no visor aparecerá: "SENHA"); passa de um nível do menu para o seguinte; prepara um dado para a modificação; confirma um dado ou uma função;
esc	(Escape)	apaga as modificações não confirmadas; volta ao nível anterior do menu até sair do mesmo.
▼	(Down)	passa à opção seguinte dentro do mesmo nível de programação; incrementa o valor de um dado a modificar.
▲	(Up)	passa à opção anterior dentro do mesmo nível de programação; diminui o valor do dado a modificar.

Algumas funções prevêem também a programação de um ou mais dados (já programados sobre valores padrão).

Para variar os valores dos dados a serem programados de novo será preciso:

- Seleccionar a função.
- Confirmar a função com a tecla "ENT" (Enter).
- O cursor intermitente posicionar-se-á debaixo do valor a ser modificado.
- Utilizar as teclas "▲" (Up) ou "▼" (Down) para variar o seu valor.
- Confirmar o dado modificado com a tecla "ENT" (Enter).

12.4 Estrutura do menu de programação



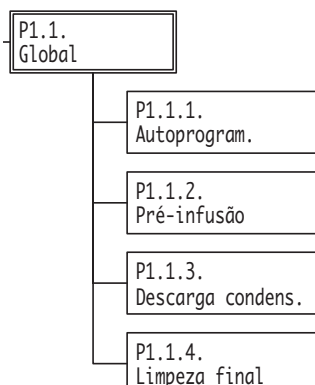
IMPORTANTE

As opções do menu marcadas com * são visíveis (portanto modificáveis) na programação apenas através da "Senha técnico".

p1. Produtos	
p1.1. Global.....	144
p1.1.1. Autoprogram.....	144
p1.1.2. Pré-infusão.....	144
p1.1.3. Descarga condens.....	144
p1.1.4. Limpeza final.....	144
p1.2. Pormenores.....	145
p1.2.1. Produtos esquerda.....	145
p1.2.2. Produtos direita.....	146-147
p1.2.3. Água quente.....	147
p2. Sistema	
p2.1. Temperaturas.....	147
p2.1.1. Variaç. Temperatura.....	147
p2.1.2. Temperatura caldeira *	
p2.2. Segurança.....	148
p2.3.1. Senha operador.....	148
p2.3.2. Senha técnico *	
p2.3. Opções.....	148
p2.3.1. Aquecedor cháv.....	148
p2.3.2. Anti congelamento *	
p2.3.3. Unidade de medida *	
p2.3.4. Buzzer *	
p2.4. Relógio.....	148
p2.4.1. Data.....	148
p2.4.2. Formato data.....	148
p2.4.3. Horário.....	148
p2.4.4. Formato horário.....	148
p3. Factory default . *	
s1. Assistência	
s1.1. Descalcificação.....	149
s1.1.1. Última descalc.....	149
s1.1.2. Quant.restante.....	149
s1.1.3. Limite de filtro.....	149
s1.1.4. Reset filter.....	149
s1.1.5. Habilitação filtro.....	149
s1.2. Drillers.....	149
s1.2.1. Warning enabled.....	149
s1.2.2. Left driller state.....	149
s1.2.3. Right driller state.....	149
s1.3. Modo test *	
s1.3.1. Master test *	
s1.3.2. Left Coffee test *	
s1.3.3. Right Coffee test *	
s1.3.4. Water/Steam test *	
s2. Info	
s2.1. Identificação.....	151
s2.1.1. Versão Software.....	151
s2.1.2. Código máquina.....	151
s2.2. Error log.....	151
s2.2.1. Erros.....	151
s2.2.2. Reset Log *	
s2.3. Audit.....	152
s2.3.1. Contadores relativos.....	152
s2.3.2. Counters from Reset.....	152
s2.3.3. ResetAudit.....	152
s3. Install/Uninstall	
s3.1. Instalação *	
s3.1.1. Idioma *	
s3.1.2. Código máquina *	
s3.1.3. Contraste visor *	
s3.2. Desinstalação *	
s3.2.1. Esvaziam.caldeira *	

12.5 Descrição das funções

p1. Produtos
 p1.1. Global
 p1.1.1. **Autoprogram.**
 p1.1.2. **Pré-infusão**
 p1.1.3. **Descarga condens.**
 p1.1.4. **Limpeza final**
 p1.2. Pormenores
 p1.2.1. Produtos esquerda
 p1.2.2. Produtos direita
 p1.2.3. Água quente
 p2. Sistema
 p2.1. Temperaturas
 p2.1.1. Variaç. Temperatura
 p2.1.2. Temperatura caldeira
 p2.2. Segurança
 p2.3.1. Senha operador
 p2.3.2. Senha técnico
 p2.3. Opções
 p2.3.1. Aquecedor cháv.
 p2.3.2. Anti congelamento
 p2.3.3. Unidade de medida
 p2.3.4. Buzzer
 p2.4. Relógio
 p2.4.1. Data
 p2.4.2. Formato data
 p2.4.3. Horário
 p2.4.4. Formato horário
 p3. Factory default .
 s1. Assistência
 s1.1. Descalcificação
 s1.1.1. Última descalc.
 s1.1.2. Quant.restante
 s1.1.3. Limite de filtro
 s1.1.4. Reset filter
 s1.1.5. Habilitação filtro
 s1.2. Drillers
 s1.2.1. Warning enabled
 s1.2.2. Left driller state
 s1.2.3. Right driller state
 s1.3. Modo test
 s1.3.1. Master test
 s1.3.2. Left Coffee test
 s1.3.3. Right Coffee test
 s1.3.4. Water/Steam test
 s2. Info
 s2.1. Identificação
 s2.1.1. Versão Software
 s2.1.2. Código máquina
 s2.2. Error log
 s2.2.1. Erros
 s2.2.2. Reset Log
 s2.3. Audit
 s2.3.1. Contad. a inic.
 s2.3.2. Contad desde reset
 s2.3.3. ResetAudit
 s3. Instalar/Desinstalar
 s3.1. Instalação
 s3.1.1. Idioma
 s3.1.2. Código máquina
 s3.1.3. Contraste visor
 s3.2. Desinstalação
 s3.2.1. Esvaziam.caldeira



P1.1 GLOBAL

P1.1.1 Autoprogram.

Esta função permite programar a dose da bebida. Para efectuar a programação da dose, pressione a tecla "ENT" e entre na opção de menu "P.1.1.1.1 AUTOPROG. EM CURSO":

- para programar as teclas , e , pressione a tecla escolhida para iniciar a programação, volte a pressionar a tecla para memorizar a dose desejada.
- para programar as teclas , e , pressione a tecla escolhida para iniciar a programação do produto, volte a pressionar a tecla para memorizar a dose de café desejada e pressione de novo a tecla para memorizar a dose de leite desejada.

No fim da programação serão visualizados no visor os valores memorizados.

P1.1.2 Pré-infusão

Esta função, permite efectuar uma breve pausa durante a primeira fase de distribuição. Isto permitirá melhorar a qualidade do café que, desta maneira, poderá, durante a pausa, "infundir-se" com a primeira parte de água recebida.

A pausa poderá ser programada com valores crescentes: 0, +, ++,+++.

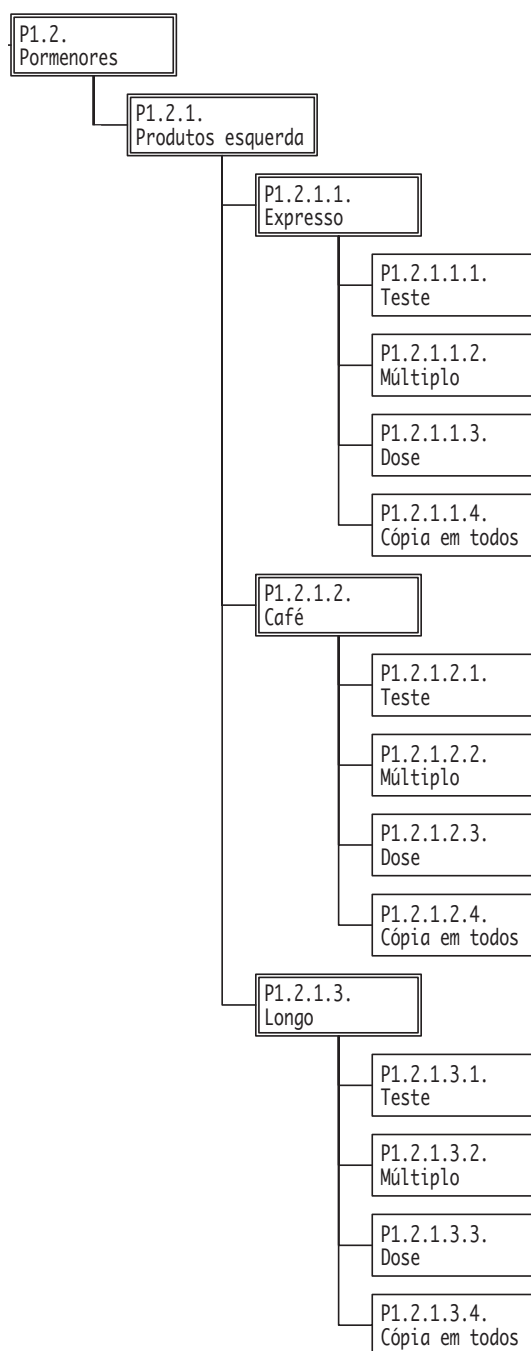
P1.1.3 Descarga condens.

Esta função indica o tempo de abertura da electroválvula que descarrega a condensação presente no tubo que leva o vapor para o cap-puccinatore. É possível programá-la de 0 a 8 segundos.

P1.1.4 Limpeza final

Esta função indica a duração da lavagem com vapor que é realizada no fim de cada distribuição de leite. É possível programá-la de 0 a 8 segundos.

- p1. Produtos
- p1.1. Global
- p1.1.1. Autoprogram.
- p1.1.2. Pré-infusão
- p1.1.3. Descarga condens.
- p1.1.4. Limpeza final
- p1.2. Pormenores
- p1.2.1. Produtos esquerda**
- p1.2.2. Produtos direita
- p1.2.3. Água quente
- p2. Sistema
- p2.1. Temperaturas
- p2.1.1. Variaç. Temperatura
- p2.1.2. Temperatura caldeira
- p2.2. Segurança
- p2.3.1. Senha operador
- p2.3.2. Senha técnico
- p2.3. Opções
- p2.3.1. Aquecedor cháv.
- p2.3.2. Anti congelamento
- p2.3.3. Unidade de medida
- p2.3.4. Buzzer
- p2.4. Relógio
- p2.4.1. Data
- p2.4.2. Formato data
- p2.4.3. Horário
- p2.4.4. Formato horário
- p3. Factory default .
- s1. Assistência
- s1.1. Descalcificação
- s1.1.1. Última descalc.
- s1.1.2. Quant.restante
- s1.1.3. Limite de filtro
- s1.1.4. Reset filter
- s1.1.5. Habilitação filtro
- s1.2. Drillers
- s1.2.1. Warning enabled
- s1.2.2. Left driller state
- s1.2.3. Right driller state
- s1.3. Modo test
- s1.3.1. Master test
- s1.3.2. Left Coffee test
- s1.3.3. Right Coffee test
- s1.3.4. Water/Steam test
- s2. Info
- s2.1. Identificação
- s2.1.1. Versão Software
- s2.1.2. Código máquina
- s2.2. Error log
- s2.2.1. Erros
- s2.2.2. Reset log
- s2.3. Audit
- s2.3.1. Contad. a inic.
- s2.3.2. Contad desde reset
- s2.3.3. ResetAudit
- s3. Instalar/Desinstalar
- s3.1. Instalação
- s3.1.1. Idioma
- s3.1.2. Código máquina
- s3.1.3. Contraste visor
- s3.2. Desinstalação
- s3.2.1. Esvaziam.caldeira



P1.2 PORMENORES

P1.2.1 Produtos esquerda

Permite programar os parâmetros das bebidas da parte esquerda da máquina:

P1.2.1.1. Espresso

É visualizado o produto completo e ao confirmar Enter será possível escolher/programar os parâmetros:

Teste: permite distribuir o produto.

Múltiplo: permite activar ou desactivar a dose dupla.

Dose: permite programar a quantidade de água da bebida.

Cópia em todos: permite programar automaticamente o EXPRESSO da parte direita da máquina como o da parte esquerda.

P1.2.1.2. Café

É visualizado o produto completo e ao confirmar Enter será possível escolher/programar os parâmetros:

Teste: permite distribuir o produto.

Múltiplo: permite activar ou desactivar a dose dupla.

Dose: permite programar a quantidade de água da bebida.

Cópia em todos: permite programar automaticamente o CAFÉ da parte direita da máquina como o da parte esquerda.

P1.2.1.3. Longo

É visualizado o produto completo e ao confirmar Enter será possível escolher/programar os parâmetros:

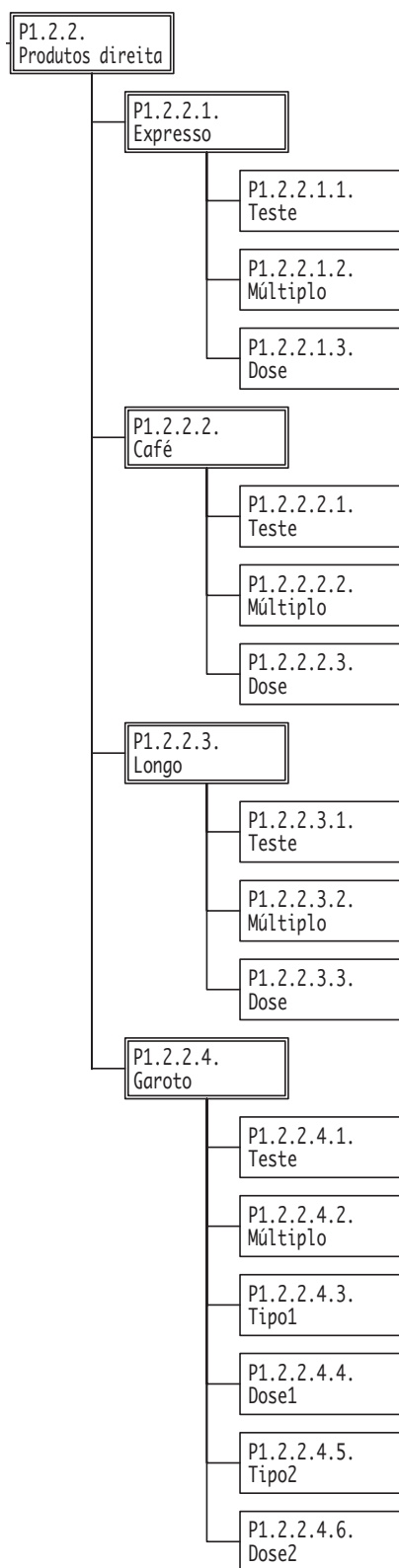
Teste: permite distribuir o produto.

Múltiplo: permite activar ou desactivar a dose dupla.

Dose: permite programar a quantidade de água da bebida.

Cópia em todos: permite programar automaticamente o LONGO da parte direita da máquina como o da parte esquerda.

- p1. Produtos
 - p1.1. Global
 - p1.1.1. Autoprogram.
 - p1.1.2. Pré-infusão
 - p1.1.3. Descarga condens.
 - p1.1.4. Limpeza final
 - p1.2. Pomenores
 - p1.2.1. Produtos esquerda
 - p1.2.2. Produtos direita**
 - p1.2.2.1. Água quente
 - p2. Sistema
 - p2.1. Temperaturas
 - p2.1.1. Variaç. Temperatura
 - p2.1.2. Temperatura caldeira
 - p2.2. Segurança
 - p2.3.1. Senha operador
 - p2.3.2. Senha técnico
 - p2.3. Opções
 - p2.3.1. Aquecedor cháv.
 - p2.3.2. Anti congelamento
 - p2.3.3. Unidade de medida
 - p2.3.4. Buzzer
 - p2.4. Relógio
 - p2.4.1. Data
 - p2.4.2. Formato data
 - p2.4.3. Horário
 - p2.4.4. Formato horário
 - p3. Factory default .
 - s1. Assistência
 - s1.1. Descalcificação
 - s1.1.1. Última descalc.
 - s1.1.2. Quant. restante
 - s1.1.3. Limite de filtro
 - s1.1.4. Reset filter
 - s1.1.5. Habilitação filtro
 - s1.2. Drillers
 - s1.2.1. Warning enabled
 - s1.2.2. Left driller state
 - s1.2.3. Right driller state
 - s1.3. Modo test
 - s1.3.1. Master test
 - s1.3.2. Left Coffee test
 - s1.3.3. Right Coffee test
 - s1.3.4. Water/Steam test
 - s2. Info
 - s2.1. Identificação
 - s2.1.1. Versão Software
 - s2.1.2. Código máquina
 - s2.2. Error log
 - s2.2.1. Erros
 - s2.2.2. Reset Log
 - s2.3. Audit
 - s2.3.1. Contad. a inic.
 - s2.3.2. Contad desde reset
 - s2.3.3. ResetAudit
 - s3. Instalar/Desinstalar
 - s3.1. Instalação
 - s3.1.1. Idioma
 - s3.1.2. Código máquina
 - s3.1.3. Contraste visor
 - s3.2. Desinstalação
 - s3.2.1. Esvaziam. caldeira



P1.2.2 Produtos direita

Permite programar os parâmetros das bebidas da parte direita da máquina:

P1.2.2.1. Espresso

É visualizado o produto completo e ao confirmar Enter será possível escolher/programar os parâmetros:

Teste: permite distribuir o produto.

Múltiplo: permite activar ou desactivar a dose dupla.

Dose: permite programar a quantidade de água da bebida.

P1.2.2.2. Café

É visualizado o produto completo e ao confirmar Enter será possível escolher/programar os parâmetros:

Teste: permite distribuir o produto.

Múltiplo: permite activar ou desactivar a dose dupla.

Dose: permite programar a quantidade de água da bebida.





P1.2.2.3. Longo

É visualizado o produto completo e ao confirmar Enter será possível escolher/programar os parâmetros:

Teste: permite distribuir o produto.

Múltiplo: permite activar ou desactivar a dose dupla.

Dose: permite programar a quantidade de água da bebida.

 É possível programar anteriormente as teclas ,  e  para distribuir bebidas compostas de leite e café com qualquer combinação possível.

P1.2.2.4. Garoto

É visualizado o produto completo e ao confirmar Enter será possível escolher/programar os parâmetros:

Teste: permite distribuir o produto.

Múltiplo: permite activar ou desactivar a dose dupla.

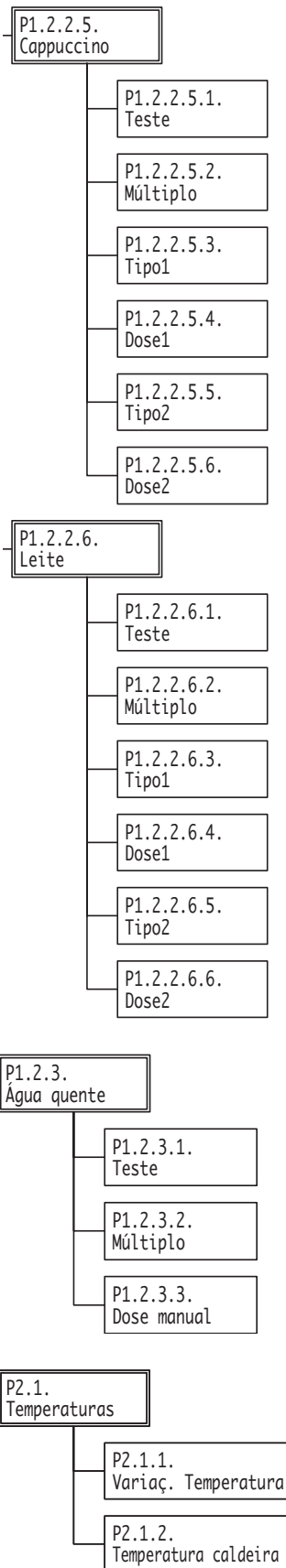
Tipo 1: permite programar o produto 1 (COFFEE).

Dose 1: permite programar a quantidade de água do produto 1.

Tipo 2: permite programar o produto 2 (MILK).

Dose 2: permite programar o tempo de distribuição do produto 2.

- p1. Produtos
 - p1.1. Global
 - p1.1.1. Autoprogram.
 - p1.1.2. Pré-infusão
 - p1.1.3. Descarga condens.
 - p1.1.4. Limpeza final
 - p1.2. Pomenores
 - p1.2.1. Produtos esquerda
 - p1.2.2. Produtos direita**
 - p1.2.3. Água quente
- p2. Sistema
 - p2.1. Temperaturas
 - p2.1.1. Variaç. Temperatura
 - p2.1.2. Temperatura caldeira
 - p2.2. Segurança
 - p2.3.1. Senha operador
 - p2.3.2. Senha técnico
 - p2.3. Opções
 - p2.3.1. Aquecedor cháv.
 - p2.3.2. Anti congelamento
 - p2.3.3. Unidade de medida
 - p2.3.4. Buzzer
 - p2.4. Relógio
 - p2.4.1. Data
 - p2.4.2. Formato data
 - p2.4.3. Horário
 - p2.4.4. Formato horário
- p3. Factory default .
 - s1. Assistência
 - s1.1. Descalcificação
 - s1.1.1. Última descalc.
 - s1.1.2. Quant.restante
 - s1.1.3. Limite de filtro
 - s1.1.4. Reset filter
 - s1.1.5. Habilitação filtro
 - s1.2. Drillers
 - s1.2.1. Warming enabled
 - s1.2.2. Left driller state
 - s1.2.3. Right driller state
 - s1.3. Modo test
 - s1.3.1. Master test
 - s1.3.2. Left Coffee test
 - s1.3.3. Right Coffee test
 - s1.3.4. Water/Steam test
 - s2. Info
 - s2.1. Identificação
 - s2.1.1. Versão Software
 - s2.1.2. Código máquina
 - s2.2. Error log
 - s2.2.1. Erros
 - s2.2.2. Reset Log
 - s2.3. Audit
 - s2.3.1. Contad. a inic.
 - s2.3.2. Contad desde reset
 - s2.3.3. ResetAudit
 - s3. Instalar/Desinstalar
 - s3.1. Instalação
 - s3.1.1. Idioma
 - s3.1.2. Código máquina
 - s3.1.3. Contraste visor
 - s3.2. Desinstalação
 - s3.2.1. Esvaziam.caldeira



P1.2.2.5. Cappuccino

É visualizado o produto completo e ao confirmar Enter será possível escolher/programar os parâmetros:

Teste: permite distribuir o produto.

Múltiplo: permite activar ou desactivar a dose dupla.

Tipo 1: permite programar o produto 1 (MILK).

Dose 1: permite programar o tempo de distribuição do produto 1.

Tipo 2: permite programar o produto 2 (COFFEE).

Dose 2: permite programar a quantidade de água do produto 2.

P1.2.2.6. Leite

É visualizado o produto completo e ao confirmar Enter será possível escolher/programar os parâmetros:

Teste: permite distribuir o produto.

Múltiplo: permite activar ou desactivar a dose dupla.

Tipo 1: permite programar o produto 1 (MILK).

Dose 1: permite programar o tempo de distribuição do produto 1.

Tipo 2: -

Dose 2: -

P1.2.3. Água quente

Permite programar os parâmetros da água quente. É possível escolher/programar os parâmetros:

Teste: permite distribuir a água quente.

Múltiplo: permite de activar ou desactivar a possibilidade de efectuar até oito distribuições. Função não implementada.

Dose manual: permite programar a quantidade de água a distribuir a cada selecção.

P2.1. TEMPERATURAS

Para cada distribuição de café, é possível modificar a temperatura da água a utilizar na distribuição e programada em fase de instalação.

P2.1.1. Variaç. Temperatura

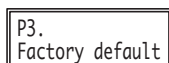
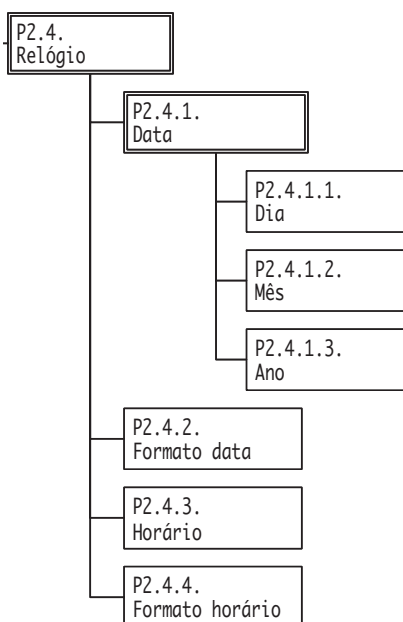
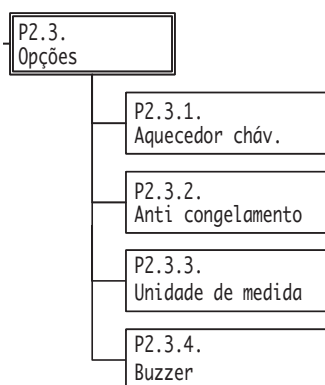
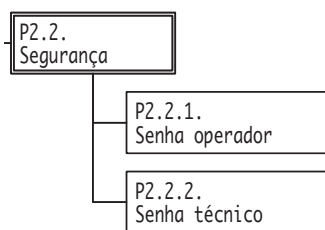
programa a variação de temperatura em ambos os grupos, praticamente o setup é a temperatura programada e a variação pode ser efectuada com "+" e "-":

- ao confirmar "+" esta temperatura será aumentada.

- ao confirmar "-" esta temperatura será diminuída.

P2.1.2. Temperatura caldeira (só técnico)

- p1. Produtos
 - p1.1. Global
 - p1.1.1. Autoprogram.
 - p1.1.2. Pré-infusão
 - p1.1.3. Descarga condens.
 - p1.1.4. Limpeza final
 - p1.2. Pormenores
 - p1.2.1. Produtos esquerda
 - p1.2.2. Produtos direita
 - p1.2.3. Água quente
- p2. Sistema
 - p2.1. Temperaturas
 - p2.1.1. Variaç. Temperatura
 - p2.1.2. Temperatura caldeira
 - p2.2. Segurança**
 - p2.2.1. Senha operador**
 - p2.2.2. Senha técnico**
 - p2.3. Opções**
 - p2.3.1. Senha operador**
 - p2.3.2. Senha técnico**
 - p2.3. Opções**
 - p2.3.1. Aquecedor cháv.**
 - p2.3.2. Anti congelamento**
 - p2.3.3. Unidade de medida**
 - p2.3.4. Buzzer**
 - p2.4. Relógio**
 - p2.4.1. Data**
 - p2.4.1.1. Data**
 - p2.4.1.2. Mês**
 - p2.4.1.3. Ano**
 - p2.4.2. Formato data**
 - p2.4.3. Horário**
 - p2.4.4. Formato horário**
- p3. Factory default**
 - s1. Assistência
 - s1.1. Descalcificação
 - s1.1.1. Última descalc.
 - s1.1.2. Quant. restante
 - s1.1.3. Limite de filtro
 - s1.1.4. Reset filter
 - s1.1.5. Habilitação filtro
 - s1.2. Drillers
 - s1.2.1. Warming enabled
 - s1.2.2. Left driller state
 - s1.2.3. Right driller state
 - s1.3. Modo test
 - s1.3.1. Master test
 - s1.3.2. Left Coffee test
 - s1.3.3. Right Coffee test
 - s1.3.4. Water/Steam test
 - s2. Info
 - s2.1. Identificação
 - s2.1.1. Versão Software
 - s2.1.2. Código máquina
 - s2.2. Error log
 - s2.2.1. Erros
 - s2.2.2. Reset log
 - s2.3. Audit
 - s2.3.1. Contad. a inic.
 - s2.3.2. Contad desde reset
 - s2.3.3. ResetAudit
 - s3. Instalar/Desinstalar
 - s3.1. Instalação
 - s3.1.1. Idioma
 - s3.1.2. Código máquina
 - s3.1.3. Contraste visor
 - s3.2. Desinstalação
 - s3.2.1. Esvaziam.caldeira



P2.2. SEGURANÇA

Esta função permite atribuir uma senha para entrar na programação. Se não for atribuída nenhuma senha, será possível entrar directamente no menu de programação.

P2.2.1. Senha operador

Ao programar esta senha, o utilizador da máquina não será autorizado a programar algumas opções. (veja par. "12,4 Estrutura do menu de programação")

P2.2.2. Senha técnico (só técnico)

P2.3. OPÇÕES

Permite habilitar algumas funções de carácter geral:

P2.3.1. Aquecedor cháv.

Ao confirmar "ACTIVADO", ligar-se-á a placa aquecedor de chávenas junto da máquina.

Ao confirmar "DESACTIVADO", a placa aquecedora de chávenas ficará sempre desligada.

P2.3.2. Anti congelamento (só técnico)

P2.3.3. Unidade de medida (só técnico)

P2.3.4. Buzzer (só técnico)

P2.4. RELÓGIO

Função que permite acertar a data e o relógio da máquina.

P2.4.1. Data

P2.4.1.1. Dia
Permite modificar o número do dia

P2.4.1.2. Mês
Permite modificar o mês

P2.4.1.3. Ano
Permite modificar o ano

P2.4.2. Formato data

Permite modificar o formato da data.

P2.4.3. Horário

Permite modificar a hora

P2.4.4. Formato horário

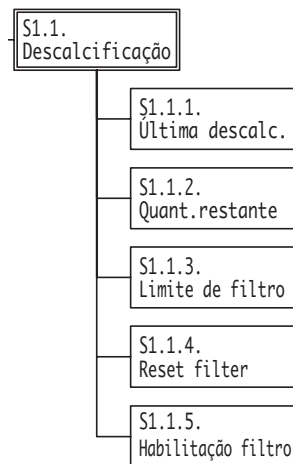
Permite modificar o formato do horário.

P3. FACTORY DEFAULT

(só técnico)

- p1. Produtos
 - p1.1. Global
 - p1.1.1. Autoprogram.
 - p1.1.2. Pré-infusão
 - p1.1.3. Descarga condens.
 - p1.1.4. Limpeza final
 - p1.2. Pormenores
 - p1.2.1. Produtos esquerda
 - p1.2.2. Produtos direita
 - p1.2.3. Água quente
- p2. Sistema
 - p2.1. Temperaturas
 - p2.1.1. Variaç. Temperatura
 - p2.1.2. Temperatura caldeira
 - p2.2. Segurança
 - p2.3.1. Senha operador
 - p2.3.2. Senha técnico
 - p2.3. Opções
 - p2.3.1. Aquecedor cháv.
 - p2.3.2. Anti congelamento
 - p2.3.3. Unidade de medida
 - p2.3.4. Buzzer
 - p2.4. Relógio
 - p2.4.1. Data
 - p2.4.2. Formato data
 - p2.4.3. Horário
 - p2.4.4. Formato horário
- p3. Factory default .
- s1. Assistência
 - s1.1. Descalcificação
 - s1.1.1. Última descalc.
 - s1.1.2. Quant.restante
 - s1.1.3. Limite de filtro
 - s1.1.4. Reset filter
 - s1.1.5. Habilitação filtro
 - s1.2. Drillers
 - s1.2.1. Warning enabled
 - s1.2.2. Left driller state
 - s1.2.2.1. Last changed
 - s1.2.2.2. Remaining autonomy
 - s1.2.2.3. Change now
 - s1.2.3. Right driller state
 - s1.2.3.1. Last changed
 - s1.2.3.2. Remaining autonomy
 - s1.2.3.3. Change now
- s1.3. Modo test
 - s1.3.1. Master test
 - s1.3.2. Left Coffee test
 - s1.3.3. Right Coffee test
 - s1.3.4. Water/Steam test
- s2. Info
 - s2.1. Identificação
 - s2.1.1. Versão Software
 - s2.1.2. Código máquina
 - s2.2. Error log
 - s2.2.1. Erros
 - s2.2.2. Reset Log
 - s2.3. Audit
 - s2.3.1. Contad. a inic.
 - s2.3.2. Contad desde reset
 - s2.3.3. ResetAudit
- s3. Instalar/Desinstalar
 - s3.1. Instalação
 - s3.1.1. Idioma
 - s3.1.2. Código máquina
 - s3.1.3. Contraste visor
 - s3.2. Desinstalação
 - s3.2.1. Esvaziam.caldeira

12.6 Estrutura do menu de serviço



S1.1 DESCALCIFICAÇÃO

S1.1.1. Última descalc.

Permite visualizar a data da última descalcificação.

S1.1.2. Quant.restante

Permite visualizar os litros restantes antes de realizar a descalcificação.

S1.1.3. Limite de filtro

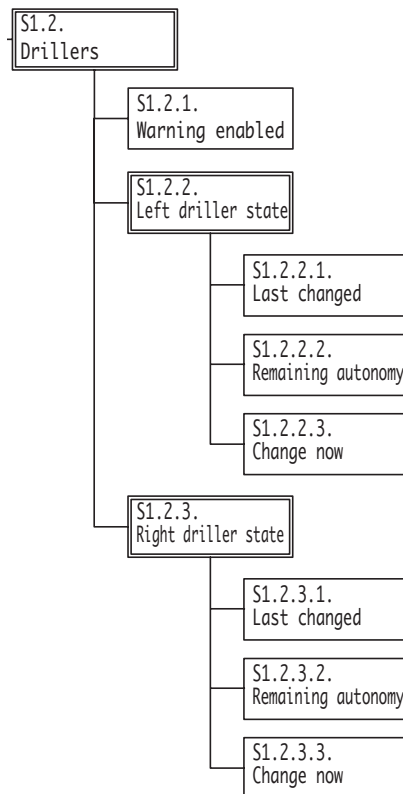
Permite seleccionar os litros de autonomia do filtro. Pressione Enter para seleccionar os litros.

S1.1.4. Reset filter

Permite efectuar o processo para executar a descalcificação.

S1.1.5. Habilitação filtro

Esta função permite habilitar/desabilitar a visualização do aviso de intervenção.



S1.2. DRILLERS

S1.2.1. Warning enabled

Esta função permite habilitar/desabilitar o aviso de substituição dos perfuradores.

S1.2.2. Left driller state

Visualiza a última substituição dos perfuradores.

S1.2.2.2. Remaining autonomy

Visualiza a autonomia restante nos perfuradores.

S1.2.2.3. Change now (só técnico)

S1.2.3. Right driller state

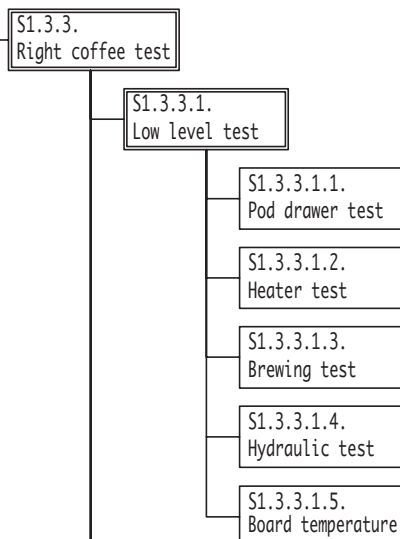
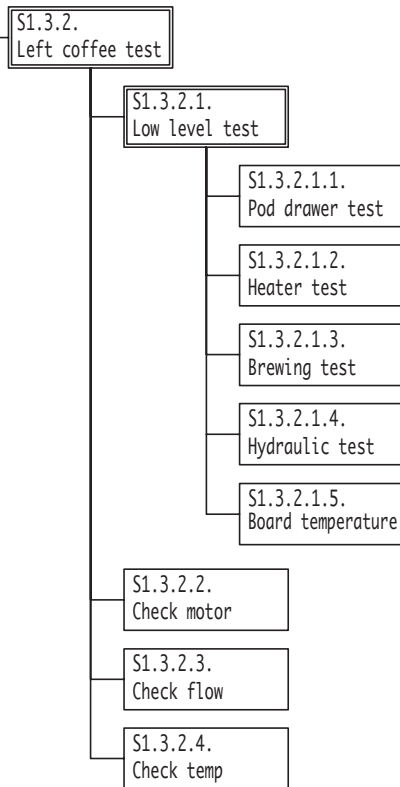
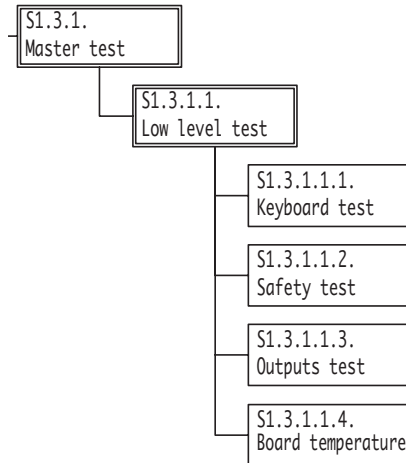
Visualiza a última substituição dos perfuradores.

S1.2.3.2. Remaining autonomy

Visualiza a autonomia restante nos perfuradores.

S1.2.3.3. Change now (só técnico)

- p1. Produtos
 - p1.1. Global
 - p1.1.1. Autoprogram.
 - p1.1.2. Pré-infusão
 - p1.1.3. Descarga condens.
 - p1.1.4. Limpeza final
 - p1.2. Pomenores
 - p1.2.1. Produtos esquerda
 - p1.2.2. Produtos direita
 - p1.2.3. Água quente
 - p2. Sistema
 - p2.1. Temperaturas
 - p2.1.1. Variaç. Temperatura
 - p2.1.2. Temperatura caldeira
 - p2.2. Segurança
 - p2.3.1. Senha operador
 - p2.3.2. Senha técnico
 - p2.3. Opções
 - p2.3.1. Aquecedor cháv.
 - p2.3.2. Anti congelamento
 - p2.3.3. Unidade de medida
 - p2.3.4. Buzzer
 - p2.4. Relógio
 - p2.4.1. Data
 - p2.4.2. Formato data
 - p2.4.3. Horário
 - p2.4.4. Formato horário
 - p3. Factory default .
 - s1. Assistência
 - s1.1. Descalcificação
 - s1.1.1. Última descalc.
 - s1.1.2. Quant.restante
 - s1.1.3. Limite de filtro
 - s1.1.4. Reset filter
 - s1.1.5. Habilitação filtro
 - s1.2. Drillers
 - s1.2.1. Warning enabled
 - s1.2.2. Left driller state
 - s1.2.3. Right driller state
 - s1.3. Modo test**
 - s1.3.1. Master test**
 - s1.3.2. Left Coffee test**
 - s1.3.3. Right Coffee test**
 - s1.3.4. Water/Steam test
 - s2. Info
 - s2.1. Identificação
 - s2.1.1. Versão Software
 - s2.1.2. Código máquina
 - s2.2. Error log
 - s2.2.1. Erros
 - s2.2.2. Reset log
 - s2.3. Audit
 - s2.3.1. Contad. a inic.
 - s2.3.2. Contad desde reset
 - s2.3.3. ResetAudit
 - s3. Instalar/Desinstalar
 - s3.1. Instalação
 - s3.1.1. Idioma
 - s3.1.2. Código máquina
 - s3.1.3. Contraste visor
 - s3.2. Desinstalação
 - s3.2.1. Esvaziam.caldeira



S1.3. MODO TEST

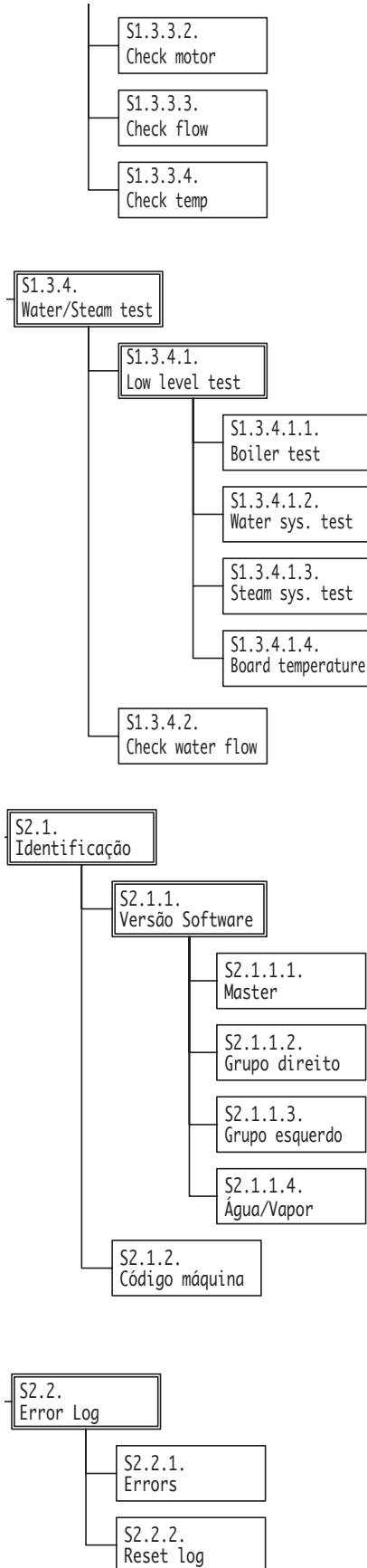
- S1.3.1. Master test (só técnico)
 - S1.3.1.1. Low level test (só técnico)
 - S1.3.1.1.1. Keyboards test (só técnico)
 - S1.3.1.1.2. Safety test (só técnico)
 - S1.3.1.1.3. Outputs test (só técnico)
 - S1.3.1.1.4. Board temperature (só técnico)

- S1.3.2. Left coffee test (só técnico)
 - S1.3.2.1. Low level test (só técnico)
 - S1.3.2.1.1. Pod drawer test (só técnico)
 - S1.3.2.1.2. Heater test (só técnico)
 - S1.3.2.1.3. Brewing test (só técnico)
 - S1.3.2.1.4. Hydraulic test (só técnico)
 - S1.3.2.1.5. Board temperature (só técnico)

- S1.3.2.2. Check motor (só técnico)
- S1.3.2.3. Check flow (só técnico)
- S1.3.2.4. Check temp (só técnico)

- S1.3.3. Right coffee test (só técnico)
 - S1.3.3.1. Low level test (só técnico)
 - S1.3.3.1.1. Pod drawer test (só técnico)
 - S1.3.3.1.2. Heater test (só técnico)
 - S1.3.3.1.3. Brewing test (só técnico)
 - S1.3.3.1.4. Hydraulic test (só técnico)
 - S1.3.3.1.5. Board temperature (só técnico)

- p1. Produtos
 - p1.1. Global
 - p1.1.1. Autoprogram.
 - p1.1.2. Pré-infusão
 - p1.1.3. Descarga condens.
 - p1.1.4. Limpeza final
 - p1.2. Pormenores
 - p1.2.1. Produtos esquerda
 - p1.2.2. Produtos direita
 - p1.2.3. Água quente
- p2. Sistema
 - p2.1. Temperaturas
 - p2.1.1. Variaç. Temperatura
 - p2.1.2. Temperatura caldeira
 - p2.2. Segurança
 - p2.3.1. Senha operador
 - p2.3.2. Senha técnico
 - p2.3. Opções
 - p2.3.1. Aquecedor cháv.
 - p2.3.2. Anti congelamento
 - p2.3.3. Unidade de medida
 - p2.3.4. Buzzer
 - p2.4. Relógio
 - p2.4.1. Data
 - p2.4.2. Formato data
 - p2.4.3. Horário
 - p2.4.4. Formato horário
- p3. Factory default .
 - s1. Assistência
 - s1.1. Descalcificação
 - s1.1.1. Última descalc.
 - s1.1.2. Quant. restante
 - s1.1.3. Limite de filtro
 - s1.1.4. Reset filter
 - s1.1.5. Habilitação filtro
 - s1.2. Drillers
 - s1.2.1. Warning enabled
 - s1.2.2. Left driller state
 - s1.2.3. Right driller state
 - s1.3. Modo test
 - s1.3.1. Master test
 - s1.3.2. Left Coffee test
 - s1.3.3. Right Coffee test**
 - s1.3.4. Water/Steam test**
 - s2. Info
 - s2.1. Identificação**
 - s2.1.1. Versão Software**
 - s2.1.2. Código máquina**
 - s2.2. Error log**
 - s2.2.1. Erros**
 - s2.2.2. Reset Log**
 - s2.3. Audit
 - s2.3.1. Contad. a inic.
 - s2.3.2. Contad desde reset
 - s2.3.3. ResetAudit
- s3. Instalar/Desinstalar
 - s3.1. Instalação
 - s3.1.1. Idioma
 - s3.1.2. Código máquina
 - s3.1.3. Contraste visor
 - s3.2. Desinstalação
 - s3.2.1. Esvaziam.caldeira



S1.3.3.2. Check motor (só técnico)

S1.3.3.3. Check flow (só técnico)

S1.3.3.4. Check temp (só técnico)

S1.3.4. Water/Steam test (só técnico)

S1.3.4.1. Low level test (só técnico)

S1.3.4.1.1. Boiler test (só técnico)

S1.3.4.1.2. Water sys. test (só técnico)

S1.3.4.1.3. Steam sys. test (só técnico)

S1.3.4.1.4. Board temperature (só técnico)

S1.3.4.2. Check water flow (só técnico)

S2.1 IDENTIFICAÇÃO

S2.1.1. Versão Software

Permite visualizar as versões do software das placas seguintes:

- Master;
- Grupo direito;
- Grupo esquerdo;
- Água/Vapor

S2.1.2. Código máquina

Permite visualizar o código da máquina

S2.2 ERROR LOG

Nesta função é possível visualizar os últimos 50 erros eventualmente acontecidos na máquina:

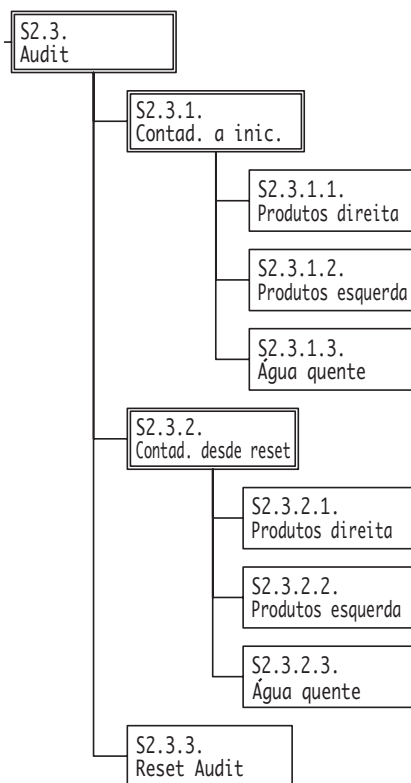
S2.2.1. Erros

Permite visualizar singularmente cada erro acontecido fornecendo alguns dados (após o último reset):

- parte da máquina interessada pelo erro;
- número do erro
- data e hora em que verificou-se o erro.

S2.2.2. Reset log (só técnico)

- p1. Produtos
 - p1.1. Global
 - p1.1.1. Autoprogram.
 - p1.1.2. Pré-infusão
 - p1.1.3. Descarga condens.
 - p1.1.4. Limpeza final
 - p1.2. Pormenores
 - p1.2.1. Produtos esquerda
 - p1.2.2. Produtos direita
 - p1.2.3. Água quente
- p2. Sistema
 - p2.1. Temperaturas
 - p2.1.1. Variaç. Temperatura
 - p2.1.2. Temperatura caldeira
 - p2.2. Segurança
 - p2.3.1. Senha operador
 - p2.3.2. Senha técnico
 - p2.3. Opções
 - p2.3.1. Aquecedor cháv.
 - p2.3.2. Anti congelamento
 - p2.3.3. Unidade de medida
 - p2.3.4. Buzzer
 - p2.4. Relógio
 - p2.4.1. Data
 - p2.4.2. Formato data
 - p2.4.3. Horário
 - p2.4.4. Formato horário
- p3. Factory default .
 - s1. Assistência
 - s1.1. Descalcificação
 - s1.1.1. Última descalc.
 - s1.1.2. Quant. restante
 - s1.1.3. Limite de filtro
 - s1.1.4. Reset filter
 - s1.1.5. Habilitação filtro
 - s1.2. Drillers
 - s1.2.1. Warning enabled
 - s1.2.2. Left driller state
 - s1.2.3. Right driller state
 - s1.3. Modo test
 - s1.3.1. Master test
 - s1.3.2. Left Coffee test
 - s1.3.3. Right Coffee test
 - s1.3.4. Water/Steam test
 - s2. Info
 - s2.1. Identificação
 - s2.1.1. Versão Software
 - s2.1.2. Código máquina
 - s2.2. Error log
 - s2.2.1. Erros
 - s2.2.2. Reset Log
- s2.3. Audit
 - s2.3.1. Contad. a inic.
 - s2.3.2. Contad desde reset
 - s2.3.3. Reset Audit
- s3. Instalar/Desinstalar
 - s3.1. Instalação
 - s3.1.1. Idioma
 - s3.1.2. Código máquina
 - s3.1.3. Contraste visor
 - s3.2. Desinstalação
 - s3.2.1. Esvaziam.caldeira



S2.3 AUDIT

S2.3.1. Contad. a inic.

Visualiza o número de bebidas distribuídas. A contagem das bebidas é subdividida por grupos de café (direito e esquerdo), e sucessivamente por cada bebida (expresso, leite, cappuccino, garoto, longo e café).

S2.3.2. Contad. desde reset

Visualiza o número de bebidas distribuídas desde o último reinício dos contadores. A contagem das bebidas é subdividida por grupos de café (direito e esquerdo), e sucessivamente por cada bebida (expresso, leite, cappuccino, garoto, longo e café).

S2.3.3. Reset Audit

Permite apagar os contadores de ambos os grupos café.

S3.1 INSTALAÇÃO

S3.1.1. Idioma (só técnico)

S3.1.2. Código máquina (só técnico)

S3.1.3. Contraste visor (só técnico)

S3.2 DESINSTALAÇÃO

S3.2.1. Esvaziam.caldeira (só técnico)

12.7 Mensagens no visor

Mensagem	Causa	Remédio
ERRO GRUPO	Aparece quando se verificar um erro identificável através de um número visível no menu de serviço da opção S.2.2.1.1	Procure através do menu de serviço o número identificativo do erro, desligue a máquina e chame o CENTRO DE ASSISTÊNCIA AUTORIZADO. Para os erros abaixo indicados, antes de contactar o CENTRO DE ASSISTÊNCIA AUTORIZADO execute as verificações seguintes: 52 verifique a presença da água na rede de distribuição; 55 certifique-se de que o grupo esteja introduzido correctamente.
ESVAZIAR BORRAS (AVISO)	Aparece quando a gaveta de recolha das cápsulas estiver quase cheia (a máquina já executou o número programado de distribuições). Todavia é possível executar umas ulteriores distribuições.	Esvazie a gaveta de recolha das cápsulas
ESVAZIAR BORRAS (ALARME)	A gaveta de recolha das cápsulas está completamente cheia (a máquina já executou o número programado de distribuições). A máquina está bloqueada e não é possível executar mais distribuições até a gaveta não for esvaziada.	Esvazie a gaveta de recolha das cápsulas
FECHAR A PORTA	A portinhola não está encerrada correctamente.	Feche a portinhola
FECHAR GAVETA	A gaveta de recolha das cápsulas não está introduzida correctamente.	Introduza correctamente a gaveta de recolha das cápsulas
INTRODUZIR CANOURA	A canoura não está introduzida correctamente.	Introduza correctamente a canoura

12.8 Desligamento da máquina

Para desligar a máquina ponha o interruptor geral (21) sobre a posição "0" ou retire o cabo de alimentação.

13 - MANUTENÇÃO ORDINÁRIA



Advertências

- *Em caso de anomalias* durante o funcionamento, normalmente assinaladas pelo visor, desligue imediatamente a máquina, interrompa a alimentação eléctrica através do interruptor multipolar ou tire o cabo de alimentação e contacte o centro de assistência mais próximo.
- *Antes de executar* qualquer intervenção de manutenção e/ou limpeza, desligue a alimentação eléctrica através do interruptor geral (21) e do interruptor multipolar (ou tire o cabo de alimentação).
- *Cada intervenção* há de ser executada com a máquina fria.
- *Não execute* nenhuma intervenção de limpeza com a máquina em "standby".
- *Os produtos de limpeza* estão disponíveis em todos os vendedores de peças sobresselentes de máquinas de café. Se não for possível encontrá-los localmente peça assistência ao Fabricante ou ao instalador.
- *Nunca lave* os componentes da máquina na máquina de lavar louça.
- *Não utilize* jactos de água directa.

13.1 Limpeza da máquina

- Há de ser executada diariamente e antes de cada paragem prolongada da máquina a fim de evitar a solidificação de resíduos nos depósitos, nas bandejas e nos grupos de distribuição.
- Os componentes desmontáveis da máquina a serem limpos, deverão ser lavados e enxaguados com água corrente.
- **Limpe** os revestimentos, painéis e comandos da máquina com panos macios e moderadamente molhados com água morna.
- Os componentes fixos e a própria máquina deverão ser limpos apenas com água fria ou morna, utilizando esponjas não abrasivas e panos húmidos.
- **Todas as peças** a limpar são facilmente acessíveis e não precisam da utilização de ferramenta.



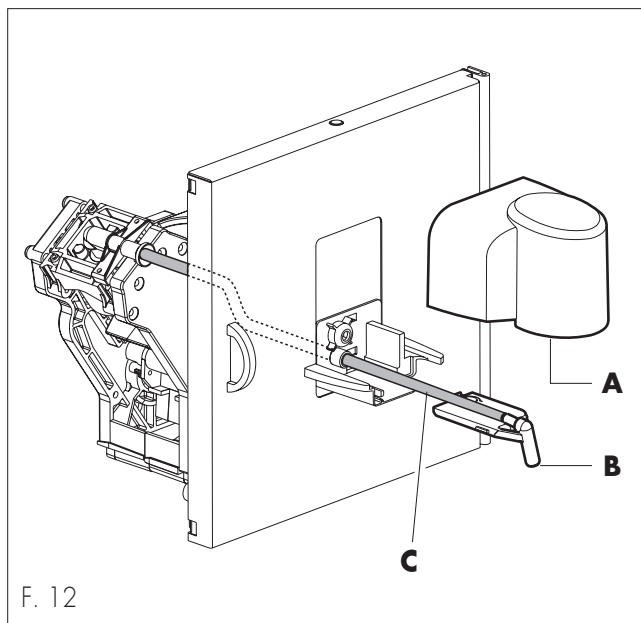
IMPORTANTE

Uma manutenção e uma limpeza regulares preservarão e manterão eficiente a máquina por um período maior e garantirão o respeito das normais normas higiénicas. A máquina assinala automaticamente quando for preciso executar as intervenções de manutenção e/ou descalcificação, o número exacto de distribuições será visível no visor da máquina; a não intervenção do Técnico em Manutenção, poderá ocasionar o bloqueio da máquina.

13.1.1 Bico do café (F. 12)

É possível remover:

- a protecção superior (A), do grupo de distribuição puxando-a para fora;
- o grupo de distribuição do café (B) puxando-o para fora;
- o casquilho do café (C) do grupo.



13.1.2 Bandeja de limpeza e respectiva grelha

Tire a bandeja de limpeza (15) da máquina e lave-a com água corrente, cuidando particularmente da grelha.

13.1.3 Gaveta de recolha das cápsulas

Depois de retirada da própria sede, lave com água corrente a gaveta de recolha das cápsulas (16 e 18).

13.1.4 Bicos de distribuição do vapor e da água quente

Limpe os bicos (13 e 19) com um pano húmido não abrasivo. Em caso de obstrução dos bocais será possível desaparafusar a parte terminal dos bicos e desentupir os bocais por meio de uma agulha.

13.1.5 Placa aquecedora de chávenas

Limpe a placa aquecedora de chávenas (4) com um pano húmido não abrasivo.

13.1.6 Grupo de distribuição

Remova o grupo de distribuição (27) e limpe-o debaixo da água corrente.

13.1.7 Canoura de descarga da cápsula

Retire a canoura de descarga da cápsula (28) e limpe-a debaixo da água corrente.



13.1.8 Limpeza do cappuccinatore



ATENÇÃO

Não execute nenhuma operação de limpeza do cappuccinatore quando a máquina estiver em "standby". Execute a limpeza cada vez que utilizar o CAPPUCCINATORE, para evitar a solidificação dos resíduos.

Limpe e enxágue todos os componentes desmontáveis com água corrente.

Atenção! Perigo de queimaduras. Durante os ciclos de lavagem poderiam sair do cappuccinatore borrifos de água quente, vapor e resíduos de leite. Não aproxime dessas partes as mãos ou outras partes do corpo até o ciclo de limpeza não acabar.

Alvo desta operação é o de remover todos os resíduos de gordura e calcário produzidos durante o fluxo e a emulsão do leite. Se não for executado o ciclo de lavagem, será favorecida a solidificação dos depósitos comprometendo, portanto, a qualidade do rendimento do cappuccinatore.



ATENÇÃO

Execute as operações descritas em seguida com a máquina ligada e sob pressão.

Limpeza periódica

Execute esta operação cerca de cada 30 minutos em caso de uso contínuo do cappuccinatore.

- Remova o bico do depósito do leite e coloque-o em água fria.
- Pressione a tecla de distribuição do leite para limpar o cappuccinatore.



ATENÇÃO

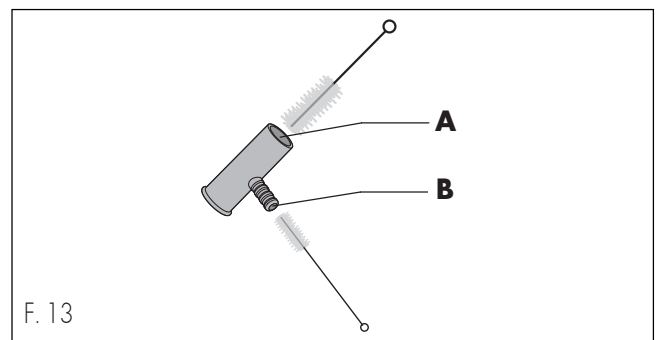
Aconselha-se a efectuar o ciclo acima descrito pelo menos duas vezes com um intervalo de um minuto entre um ciclo e o outro.

Limpeza nocturna do cappuccinatore

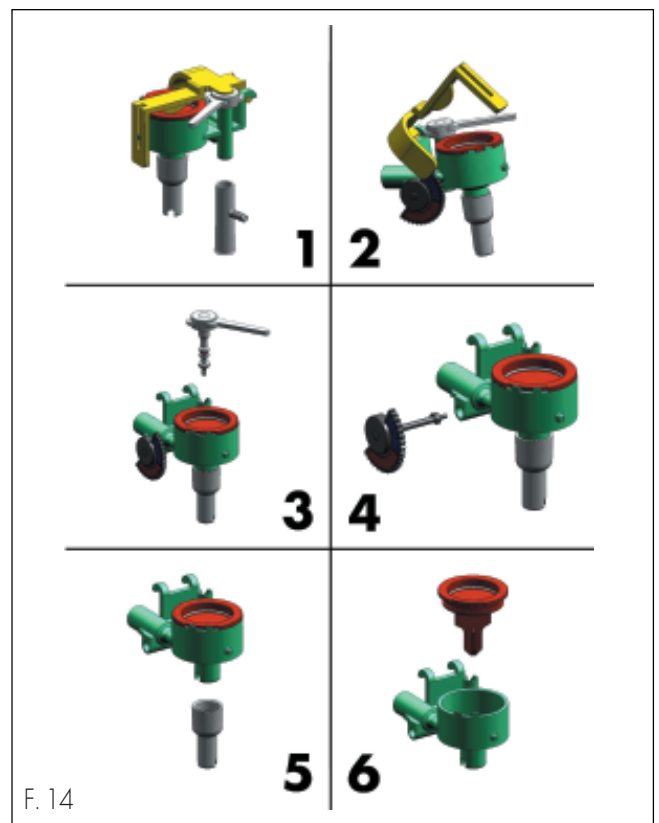
A efectuar no final do dia de trabalho.

- Encha um depósito com 1/2 litro de água fria e uma dose de detergente líquido (veja as instruções do produto).
- Retire o bico de aspiração do depósito do leite e coloque-o na solução detergente.
- Pressione a tecla **LEITE** a água sairá do bocal de distribuição do cappuccino. No visor aparecerá a escrita **LEITE**. Continue a distribuir a bebida leite até esgotar o líquido.
- O detergente será aspirado automaticamente e sairá do bocal do cappuccinatore.
- Depois de completado o ciclo de lavagem, remova a tampa cromada.

- Desmonte o cappuccinatore (veja figura 14):
- Puxe delicadamente para baixo e remova o conector do bico do leite colocado ao lado do cappuccinatore.
- Retire o cappuccinatore puxando-o frontalmente para fora.
- Desmonte completamente as cinco partes do cappuccinatore.
- Prepare uma nova dose de solução detergente (como indicado anteriormente) e coloque nela as partes do cappuccinatore.
- Lave todas as partes com uma esponja e remova todos os resíduos orgânicos, recolha após o cappuccinatore na solução pelo menos durante duas horas.
- Volte a montar os componentes.
- Volte a montar o cappuccinatore na máquina, introduza o conector do bico do leite colocado ao lado do cappuccinatore e recolha a tampa cromada na própria sede.
- Através das escovas apropriadas limpe os furos A e B (veja figura)



F. 13

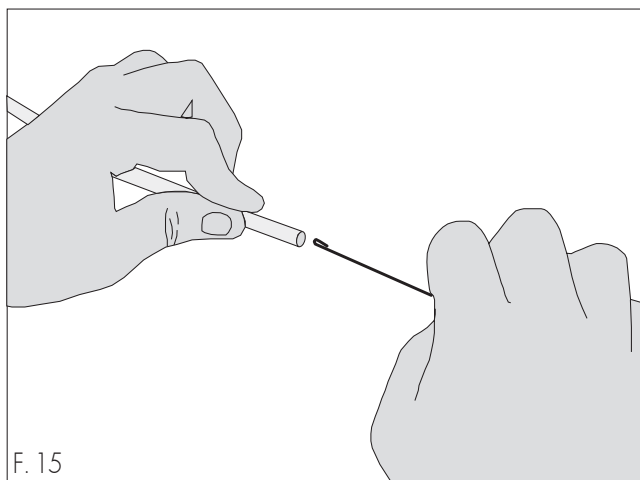


F. 14

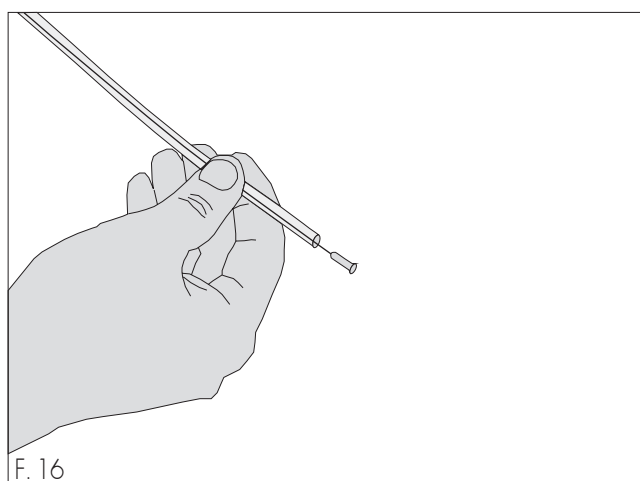
- Enxágue deixando correr pelo menos um 1/2 litro de água fria no cappuccinatore.

Limpeza do tubo do cappuccinatore

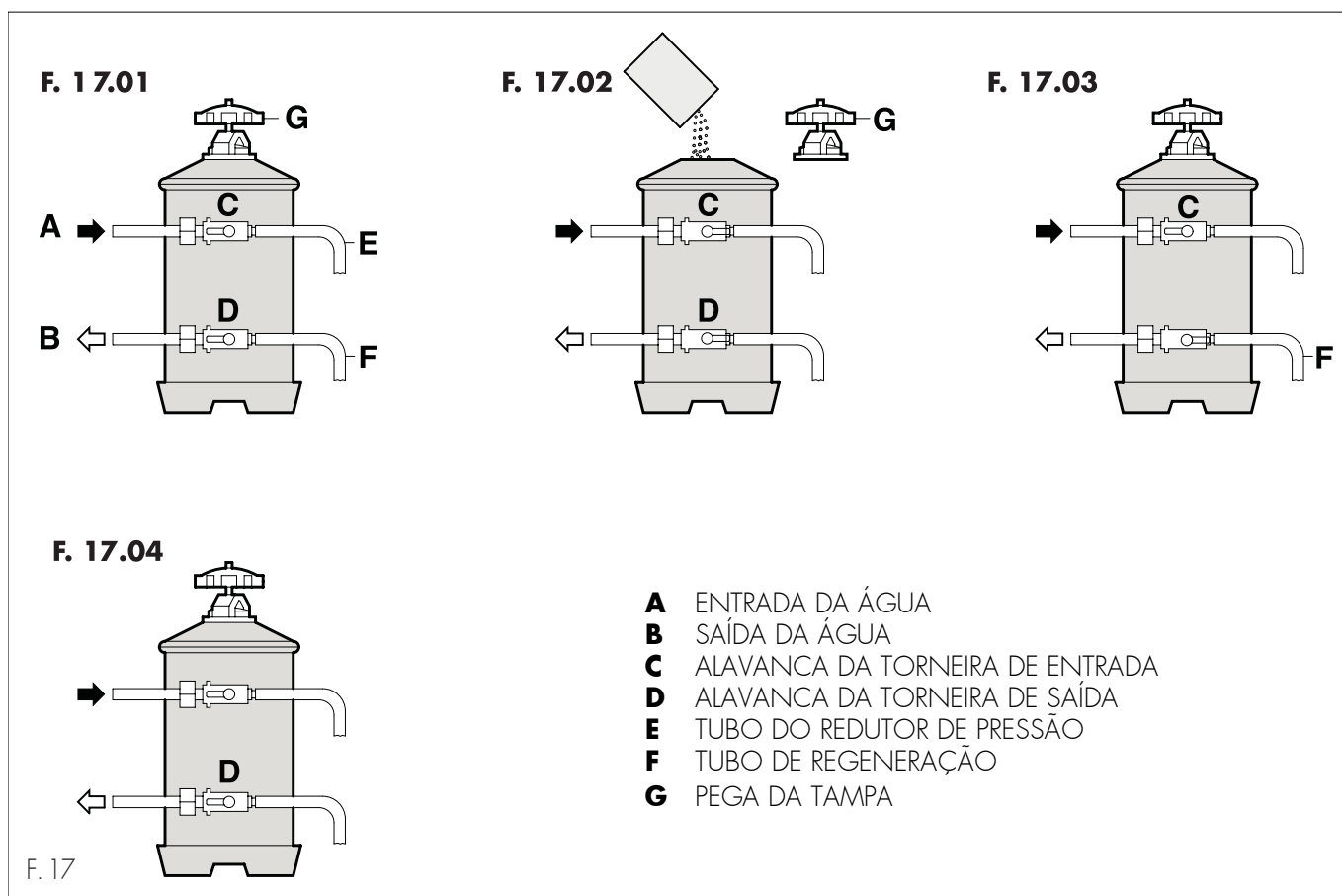
- Retire o tubo da junção do cappuccinatore e do depósito do leite
- Introduza a escova no interior do tubo (veja figura)



- Puxe para fora, repita a operação pelo menos duas vezes



13.1.9 Regeneração do depurador



IMPORTANTE

Regenere o depurador nos prazos previstos abaixo indicados:

DUREZA F

De 00 a 20
De 21 a 30
De 31 a 40
De 41 a 50

DEPURADOR TIPO 8 LITROS

regeneração após 1100 l
regeneração após 850 l
regeneração após 650 l
regeneração após 450 l

DEPURADOR TIPO 12 LITROS

regeneração após 1.600 l
regeneração após 1.250 l
regeneração após 950 l
regeneração após 650 l

- Ponha um depósito vazio com capacidade de cerca de 2 litros por baixo do tubo **E**
- Deslocar as alavancas **C** e **D** de esquerda para direita como na fig. 17.02 remova a tampa desparafusando a pega **G**, introduza 1,5 kg de cloreto de sódio (sal de cozinha tipo grosso) no depurador tipo 8 litros e 2 kg no depurador tipo 12 litros).
- Recoloque a tampa e desloque a alavanca **C** de direita para esquerda como na fig 17.03 deixe descarregar a água salgada do tubo **F** até a água se tornar doce.
- Recoloque a alavanca **D** de direita para esquerda como na fig 17.04.



IMPORTANTE

As instruções para a regeneração, são válidas solo se o depurador for aquele indicado nas figuras. Se não corresponder, proceda como indicado nas instruções em anexo ao próprio depurador.

14 - MANUTENÇÃO EXTRAORDINÁRIA



IMPORTANTE

Todas as intervenções de conserto e substituição de partes fazem parte da manutenção extraordinária. Portanto, são de exclusiva competência do Técnico em Manutenção.

14.1 Grupo de distribuição

A fim de garantir uma melhor qualidade de café aconselha-se a substituir o filtro perfurador a cada 4000-5000 ciclos.

Desmontagem do Filtro perfurador

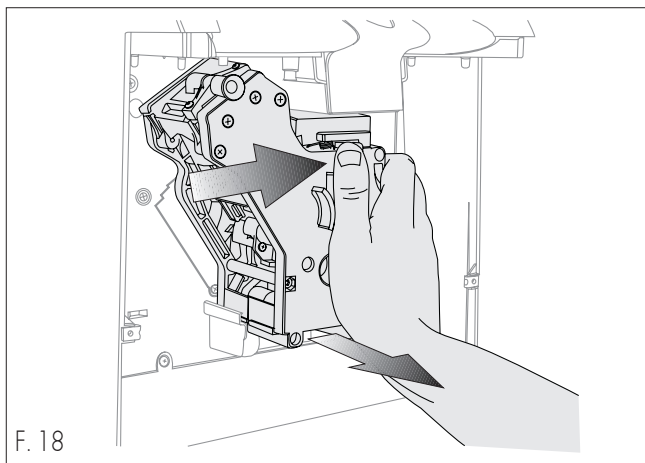
Neste parágrafo é indicado como desmontar o filtro perfurador e executar a sua manutenção.

Pressione a alavanca "PUSH" e retire o grupo de distribuição puxando-o para fora.



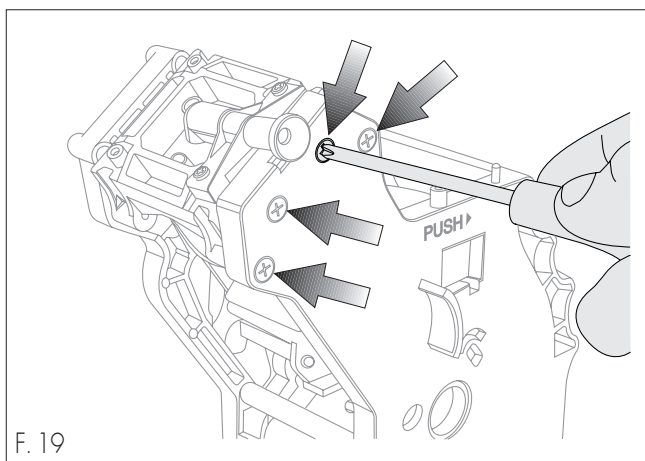
ATENÇÃO

Neste grupo estão presentes uns pormenores muito pontiagudos que poderiam provocar lesões ao operador. Preste muita atenção quando executar as operações de manutenção.



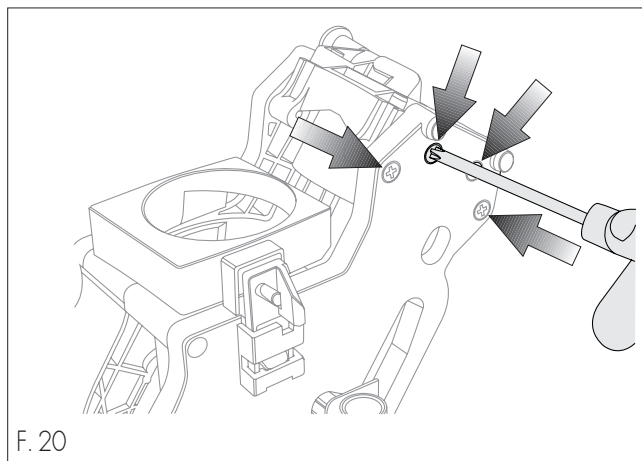
F. 18

Desaparafuse os 4 parafusos na parte frontal do grupo de distribuição.



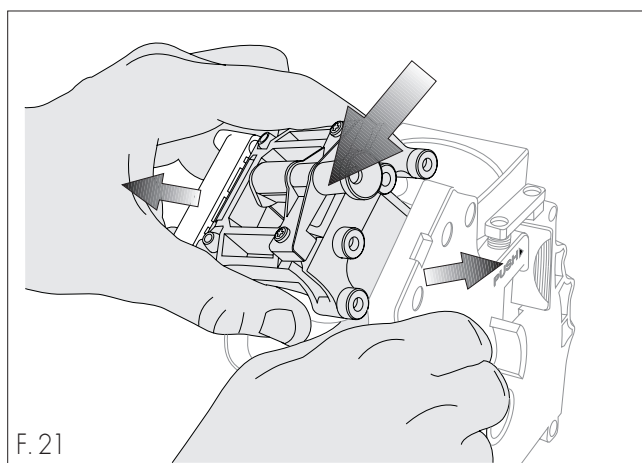
F. 19

Desaparafuse os 4 parafusos presentes na parte traseira do grupo de distribuição.



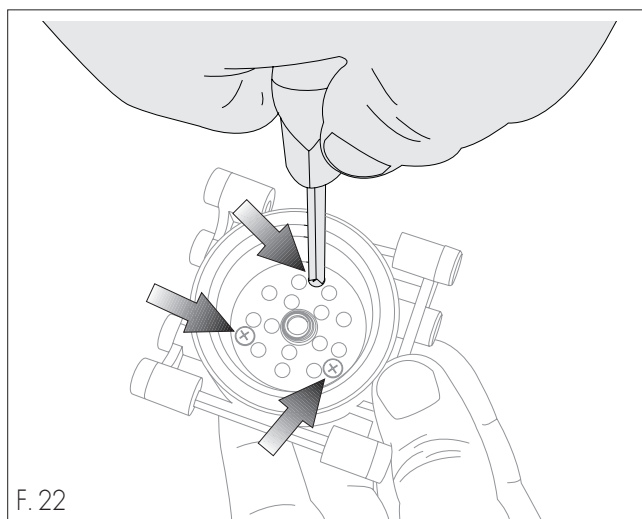
F. 20

Dilata levemente as paredes do grupo de distribuição e retire o depósito fixo para a cápsula de café.



F. 21

Desaparafuse os 3 parafusos de fixação do perfurador.



F. 22

Desmonte o perfurador usado e volte a montar o perfurador novo.



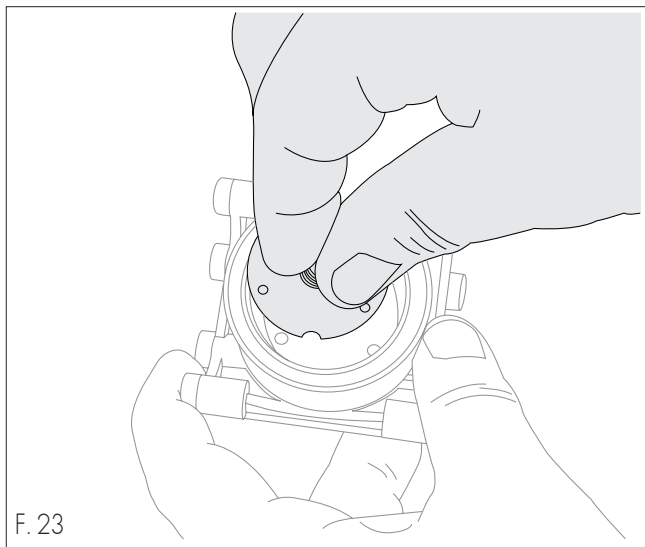
IMPORTANTE

O perfurador poderá apenas ser instalado numa posição predeterminada. Para instalar correctamente o perfurador utilize, como referência, a marca posicionada no interior do contraste do pistão.



IMPORTANTE

O perfurador, de qualquer maneira, deverá ser substituído quando uma cunha se danificar.



15 - INSTRUÇÕES PARA O TRATAMENTO EM FIM DE VIDA ÚTIL



Atenção

O desmantelamento do distribuidor ou de partes do mesmo deve ser efectuado no pleno respeito do ambiente e conforme as legislações vigentes em matéria.

16 - INCONVENIENTES, CAUSAS E SOLUÇÕES

São apresentadas em seguida algumas eventuais anomalias de funcionamento da máquina.

Quando na caixa "solução" aparecer o símbolo  a intervenção deverá ser executada pelo Técnico em Manutenção.

INCONVENIENTE	CAUSA	SOLUÇÃO
<i>A máquina não se liga</i>	Falta a tensão	Verifique: - que o cabo de alimentação esteja ligado - que o interruptor multipolar (se presente) esteja ligado - os fusíveis da instalação eléctrica - as ligações eléctricas 
<i>Não sai água ou vapor</i>	O furo do bico vapor/água quente está entupido	Limpe-o por meio de uma agulha fina
<i>O café não é bastante quente</i>	A xícara não foi pré-aquecida	Pré-aqueça a xícara no plano aquecedor de xícaras
	A máquina não alcançou ainda a temperatura certa	Aguarde o alcance da temperatura certa
<i>A máquina precisa de muito tempo par esquentar-se, o fluxo da água é limitado</i>	O circuito da máquina está entupido pelo calcar	Descalcifique a máquina 
<i>O grupo de distribuição não pode ser extraído</i>	O grupo de distribuição do café não está na sua posição base	Desligue e ligue novamente a máquina por meio do interruptor geral
<i>O grupo de distribuição não pode ser inserido</i>	O grupo de distribuição do café não está na sua posição base	Vire manualmente o grupo até botá-lo na posição de base, fazendo coincidir a referência na árvore com a flecha.
<i>O cappuccinatore não distribui leite</i>	Temperatura do leite utilizado não suficientemente fria (veja advertências)	Ponha a alavanca de regulação da temperatura para baixo
	Acabou o leite no recipiente	Encha o recipiente com leite



